

PRODUCT INFORMATION PACKET



Model No: F420ES
Catalog No: F420ES
1/3 HP General Purpose Motor, 1 phase, 1200 RPM, 115/230 V, 56 Frame, ODP
Single Phase ODP Motors



Regal and Century are trademarks of Regal Beloit Corporation or one of its affiliated companies.
©2019 Regal Beloit Corporation, All Rights Reserved. MC017097E

The REGAL logo is a grey rectangular box with the word 'REGAL' in white, bold, uppercase letters. It is positioned on a blue, textured vertical bar that runs down the right side of the page.

REGAL



Nameplate Specifications

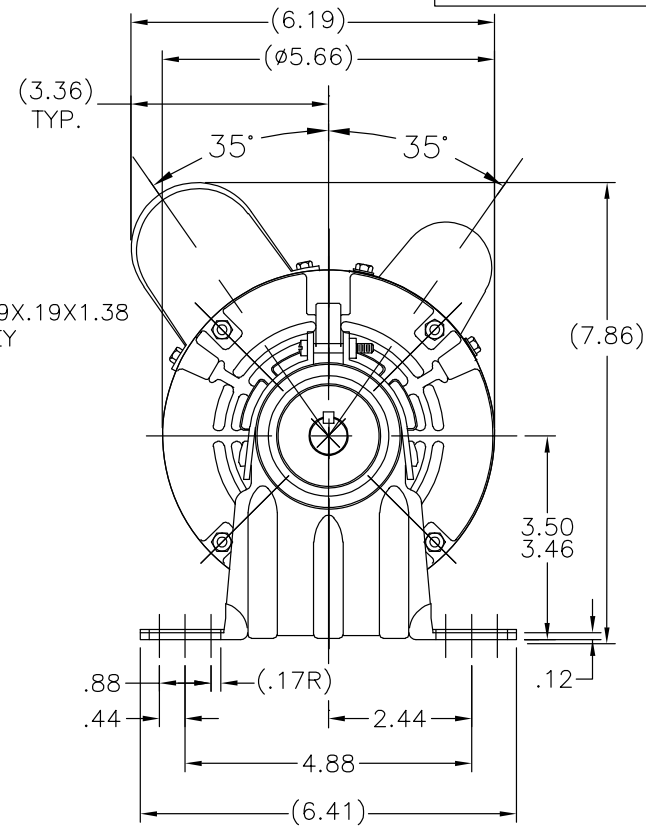
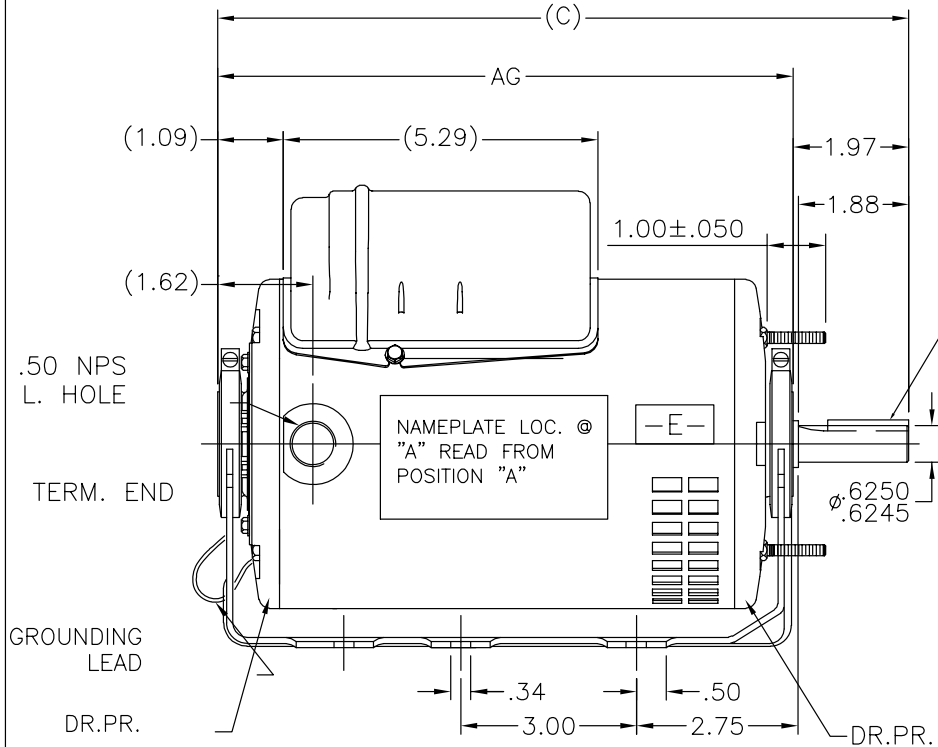
Output HP	1/3 Hp	Output KW	0.25 kW
Frequency	60 Hz	Voltage	115/230 V
Current	3.4/1.7 A	Speed	1140 rpm
Service Factor	1.35	Phase	1
Duty	Continuous	Insulation Class	B
Frame	56	Enclosure	Drip Proof
Thermal Protection	None	Ambient Temperature	40 °C
UL	Recognized	CSA	N
CE	Y		

Technical Specifications


Electrical Type	Shaded Pole	Starting Method	Across The Line
Poles	6	Rotation	Reversible Counterclockwise
Mounting	Resilient Base	Drive End Bearing	Ball
Opp Drive End Bearing	Ball	Frame Material	Rolled Steel
Shaft Type	Keyed	Overall Length	11.97 in
Frame Length	8.00 in	Shaft Diameter	0.625 in
Shaft Extension	1.88 in		

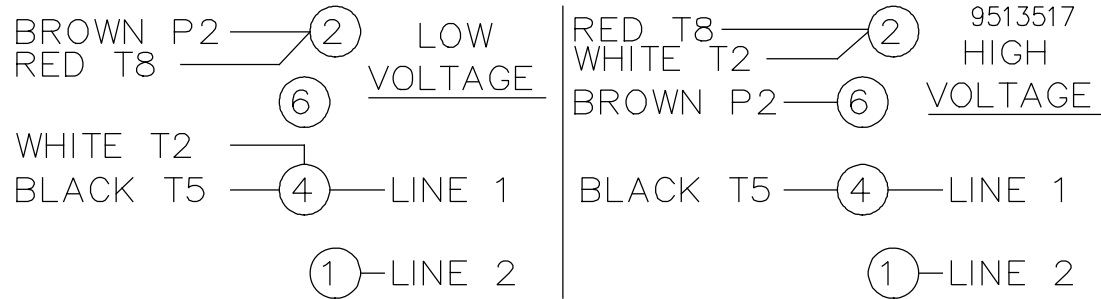
This is an uncontrolled document once printed or downloaded and is subject to change without notice. Date Created:30/10/2019

SS404143



DASH	C	AG
700	10.97	9.00
800	11.97	10.00

NO.		REVISION	BY & DATE	TOLERANCES UNLESS SPECIFIED		 Regal Beloit America, Inc.	DRAWN	PVR	01/07/15		
				DEC.	INCHES		TITLE	CHK	VS	01/07/15	
				.X	±.1	OUTLINE	APPD	SCALE	3=8		
				.XX	±.03		REF				
				.XXX	±.005	MAT'L.	FMF				
				SM .XXXX	±.0005	FINISH	PREV				
				CHK ANG	±7'30"						
THIS DRAWING IN DESIGN AND DETAIL IS OUR PROPERTY AND MUST NOT BE USED EXCEPT IN CONNECTION WITH OUR WORK ALL RIGHTS OF DESIGN AND INVENTION ARE RESERVED THIS IS AN ELECTRONICALLY GENERATED DOCUMENT - DO NOT SCALE THIS PRINT				RFP	CAD FILE	SS404143	SIZE	DRAWING NO.	PAGE	OF	REV.
				DIST	WP		A	SS404143			



ROTATION CCW-OPE TO REVERSE EITHER VOLTAGE
 INTERCHANGE BLACK(T5) WITH RED(T8) LEADS

				TOLERANCES UNLESS SPECIFIED			DRAWN TOM 06-21-1988			
				DEC.	INCHES		CHK	GK	06-21-1988	
				.X	±.1		APPD	FG	06-21-1988	
3	ADDED T MARKINGS	DS	07/19/2018	VC	.XX ±.02	TITLE CONNECTION DIAGRAM	SCALE 1=1			
2	REDRAWN IN AUTOCAD	TAT	10-22-2004	ML	.XXX ±.005		REF			
1	NEW DRAWING	TOM	06-24-1988		.XXXX ±.0005		MAT'L.			
NO.	REVISION	BY & DATE	CHK	ANG	±7'30"	FINISH	PREV			
THIS DRAWING IN DESIGN AND DETAIL IS OUR PROPERTY AND MUST NOT BE USED EXCEPT IN CONNECTION WITH OUR WORK ALL RIGHTS OF DESIGN AND INVENTION ARE RESERVED THIS IS AN ELECTRONICALLY GENERATED DOCUMENT - DO NOT SCALE THIS PRINT				RFP	CAD FILE 9513517		SIZE	DRAWING NO.	PAGE OF	REV.
				DIST			A	9513517	3	3