

# PRODUCT INFORMATION PACKET



Model No: F419ES  
Catalog No: F419ES  
1/3 HP General Purpose Motor, 1 phase, 1800 RPM, 115 V, 48 Frame, ODP  
Single Phase ODP Motors



Regal and Century are trademarks of Regal Beloit Corporation or one of its affiliated companies.  
©2019 Regal Beloit Corporation, All Rights Reserved. MC017097E

The REGAL logo consists of the word 'REGAL' in a bold, white, sans-serif font, set against a dark grey rectangular background with a slight shadow effect.

REGAL



**Nameplate Specifications**

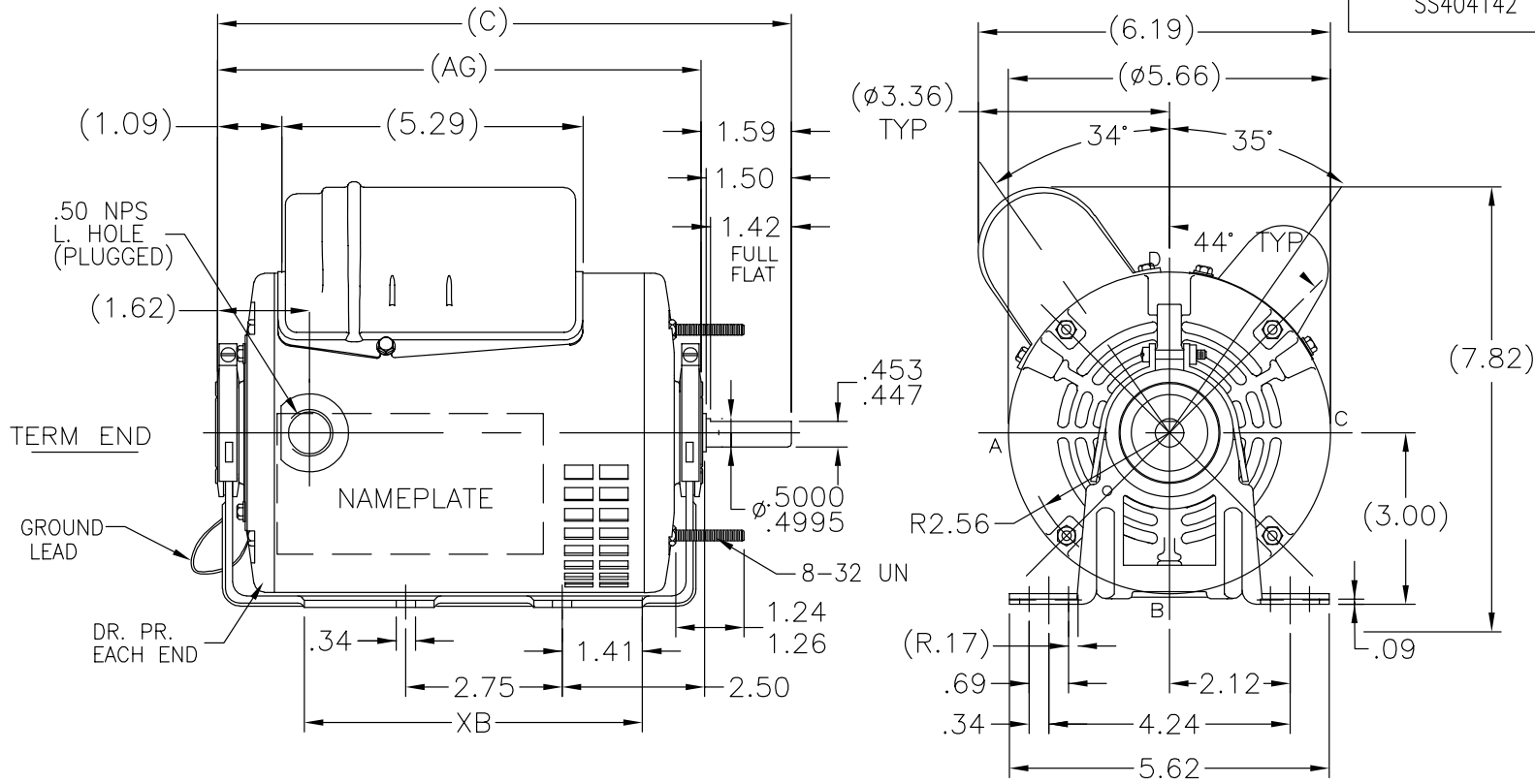
Output HP	1/3 Hp	Output KW	0.25 kW
Frequency	60 Hz	Voltage	115 V
Current	3.8 A	Speed	1725 rpm
Service Factor	1.35	Phase	1
Duty	Continuous	Insulation Class	B
Frame	48	Enclosure	Drip Proof
Thermal Protection	None	Ambient Temperature	40 °C
UL	Recognized	CSA	N
CE	Y		

**Technical Specifications**

Electrical Type	Shaded Pole	Starting Method	Across The Line
Poles	4	Rotation	Reversible Counterclockwise
Mounting	Resilient Base	Drive End Bearing	Ball
Opp Drive End Bearing	Ball	Frame Material	Rolled Steel
Shaft Type	Flat	Overall Length	10.59 in
Frame Length	7.00 in	Shaft Diameter	0.500 in
Shaft Extension	1.59 in		

This is an uncontrolled document once printed or downloaded and is subject to change without notice. Date Created:30/10/2019

SS404142



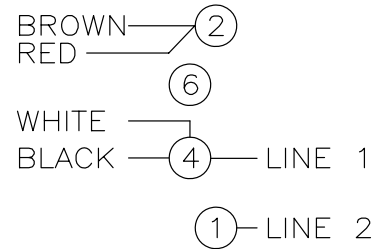
DASH	C	AG	XB
700	10.59	9.00	7.19

SHAFT ENDPLAY: .022 MAX.

NO.		REVISION	BY & DATE	CHK	ANG	TOLERANCES UNLESS SPECIFIED	DEC.	INCHES	TITLE	MAT'L.	FINISH	DRAWN	PVR	01/07/15
									48 FR - DP			CHK	PI	01/07/15
						.X		±.1				APPD		
						.XX		±.03				SCALE		3=8
						.XXX		±.005				REF		SS404136
						.XXXX		±.0005				FMF		
						ANG		±7'30"				PREV		
				RFP		CAD FILE		SS404142			SIZE	DRAWING NO.	PAGE	1 OF 1
				DIST	WP						A	SS404142		REV.

THIS DRAWING IN DESIGN AND DETAIL IS OUR PROPERTY AND MUST NOT BE USED EXCEPT IN CONNECTION WITH OUR WORK ALL RIGHTS OF DESIGN AND INVENTION ARE RESERVED THIS IS AN ELECTRONICALLY GENERATED DOCUMENT - DO NOT SCALE THIS PRINT

951341E



ROTATION CCW—OPE TO REVERSE  
 INTERCHANGE BLACK WITH RED LEADS

		TOLERANCES UNLESS SPECIFIED			DRAWN SAJ 12/29/14
		DEC.	INCHES		CHK CH 12/29/14
			.X ±.1		APPD
			.XX ±.02	TITLE CONNECTION DIAGRAM	SCALE 1=1
			.XXX ±.005		REF
			.XXXX ±.0005	MAT'L.	FMF
NO.	REVISION	BY & DATE	CHK ANG ±7'30"	FINISH	PREV
THIS DRAWING IN DESIGN AND DETAIL IS OUR PROPERTY AND MUST NOT BE USED EXCEPT IN CONNECTION WITH OUR WORK ALL RIGHTS OF DESIGN AND INVENTION ARE RESERVED THIS IS AN ELECTRONICALLY GENERATED DOCUMENT - DO NOT SCALE THIS PRINT			RFP	CAD FILE 951341E	SIZE A
			DIST		DRAWING NO. 951341E
					PAGE OF REV.