

# PRODUCT INFORMATION PACKET



Model No: F416ES  
Catalog No: F416ES  
1/3 HP General Purpose Motor, 1 phase, 1800 RPM, 115 V, 48 Frame, ODP  
Single Phase ODP Motors



Regal and Century are trademarks of Regal Beloit Corporation or one of its affiliated companies.  
©2019 Regal Beloit Corporation, All Rights Reserved. MC017097E

The REGAL logo is a grey rectangular box with the word 'REGAL' in white, bold, uppercase letters. It is positioned on a blue, textured vertical bar that runs down the right side of the page.

REGAL



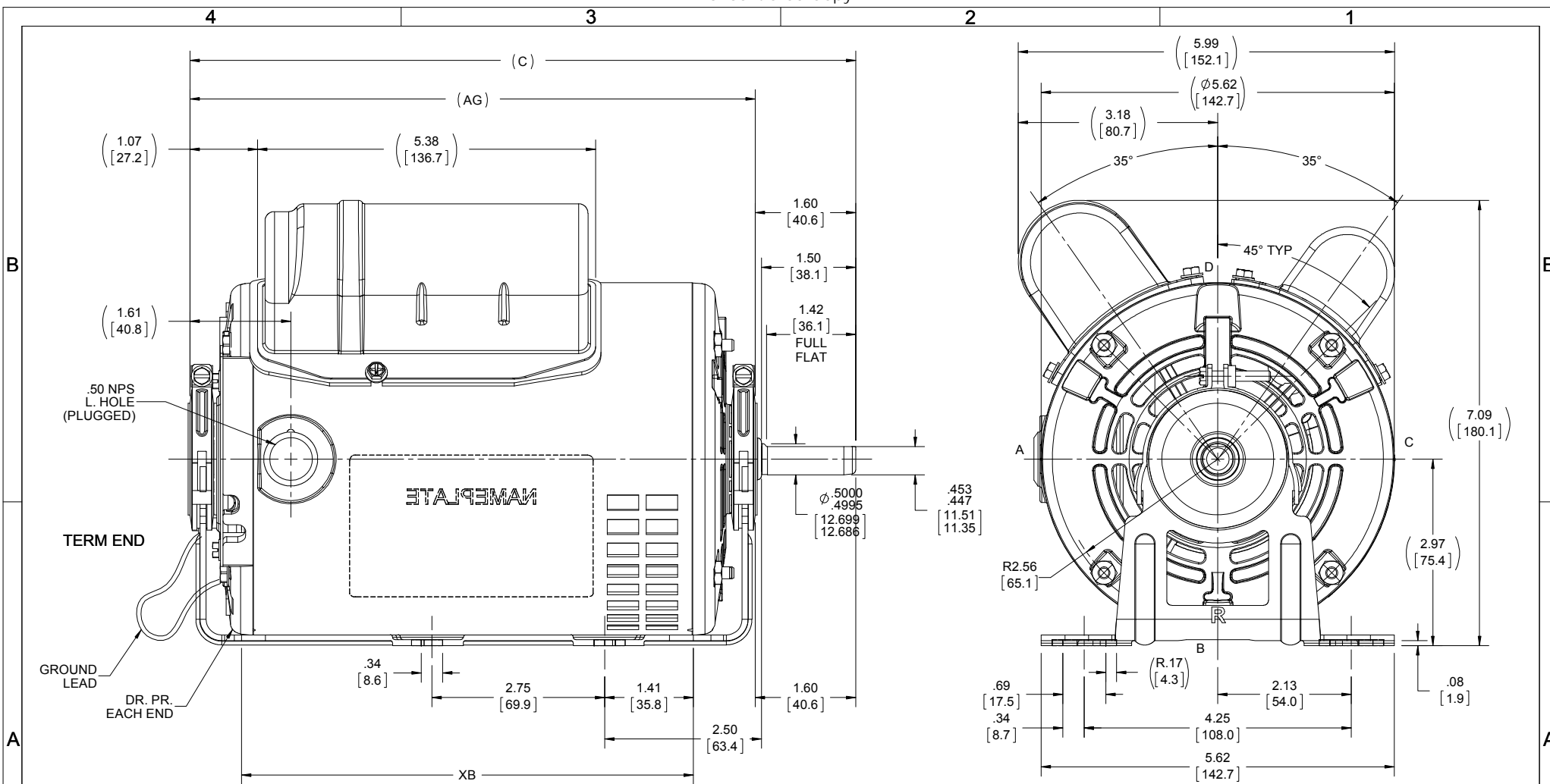
**Nameplate Specifications**

Output HP	1/3 Hp	Output KW	0.25 kW
Frequency	60 Hz	Voltage	115 V
Current	3.8 A	Speed	1725 rpm
Service Factor	1	Phase	1
Duty	Continuous	Insulation Class	B
Frame	48	Enclosure	Drip Proof
Thermal Protection	None	Ambient Temperature	40 °C
UL	Recognized	CSA	N
CE	Y		

**Technical Specifications**

Electrical Type	Shaded Pole	Starting Method	Across The Line
Poles	4	Rotation	Reversible Counterclockwise
Mounting	Resilient Base	Drive End Bearing	Ball
Opp Drive End Bearing	Ball	Frame Material	Rolled Steel
Shaft Type	Flat	Overall Length	10.59 in
Frame Length	7.00 in	Shaft Diameter	0.500 in
Shaft Extension	1.59 in		

This is an uncontrolled document once printed or downloaded and is subject to change without notice. Date Created:30/10/2019



DASH	C	AG	XB
675	10.34 [262.6]	8.75 [222.2]	6.94 [176.3]
700	10.59 [268.9]	9.00 [228.6]	7.19 [182.6]

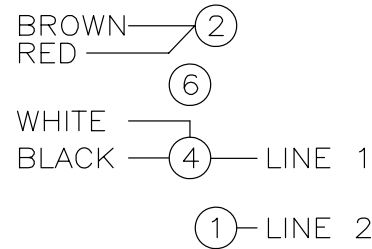
DRAWING REVISION <b>D</b>	REVISION BY <b>A SUPPANAVAR</b>	REV DATE/DATE <b>05/21/2019</b>
ECO <b>ECO-0172090</b>	APPROVED BY	DATE
ECO DESCRIPTION <b>OUTLINE CONVERSION PROJECT</b>		
<small>COPYRIGHT (PER REVISION DATE) REGAL BELOIT AMERICA, INC. ALL RIGHTS RESERVED. PROPRIETARY AND CONFIDENTIAL INFORMATION - THIS DOCUMENT IS THE PROPERTY OF REGAL BELOIT AMERICA, INC. (OWNER) AND CONTAINS OWNERS PROPRIETARY INFORMATION. ANY PERSON, CORPORATION OR OTHER FIRM RECEIVING IT IS DEEMED, BY RECEIVING IT, TO AGREE THAT IT, AND/OR ANY PART OF IT, SHALL NOT BE DISCLOSED TO ANY PERSON, CORPORATION OR OTHER ENTITY, DUPLICATED, AND/OR USED, EXCEPT AS EXPRESSLY APPROVED IN WRITING IN ADVANCE BY OWNER. THIS DOCUMENT SHALL BE RETURNED TO OWNER UPON REQUEST. IT MAY BE SUBJECT TO CERTAIN RESTRICTIONS UNDER APPLICABLE EXPORT CONTROL LAWS AND REGULATIONS.</small>		

TOLERANCES (EXCEPT AS NOTED):			
DEC.	INCH	mm	ANGLE
-X	+0.1	[±3]	±7° 30'
.XX	+0.03	[±0.8]	
.XXX	+0.005	[±0.13]	
.XXXX	+0.0005	[±0.013]	
REMOVE BURRS & BREAK SHARP EDGES: .003/.015 [0.08/0.38] X 45°			
CORNER FILLETS: R.02 [5]			
MACHINED SURFACES: 200 $\sqrt{\text{mm}}$ 5.1 $\sqrt{\text{INCH}}$			
mm DIMENSIONS IN [BRACKETS] ARE FOR REFERENCE ONLY			

DRAWN BY <b>PVR</b>
DATE <b>12/24/14</b>
APPROVED BY
DATE
REFERENCE <b>SS403898</b>
THIRD ANGLE PROJECTION

<b>REGAL</b> Regal Beloit America, Inc.	
DESCRIPTION <b>OUTLINE</b>	
MATERIAL	PROCESS/FINISH
SIZE <b>B</b>	DRAWING NUMBER <b>SS404133</b>
SHEET <b>1 OF 1</b>	

951341E



ROTATION CCW—OPE TO REVERSE  
 INTERCHANGE BLACK WITH RED LEADS

		TOLERANCES UNLESS SPECIFIED			DRAWN SAJ 12/29/14
		DEC.	INCHES		CHK CH 12/29/14
		.X	±.1		APPD
		.XX	±.02	TITLE CONNECTION DIAGRAM	SCALE 1=1
		.XXX	±.005		REF
		.XXXX	±.0005	MAT'L.	FMF
NO.	REVISION	BY & DATE	CHK ANG ±7'30"	FINISH	PREV
THIS DRAWING IN DESIGN AND DETAIL IS OUR PROPERTY AND MUST NOT BE USED EXCEPT IN CONNECTION WITH OUR WORK ALL RIGHTS OF DESIGN AND INVENTION ARE RESERVED THIS IS AN ELECTRONICALLY GENERATED DOCUMENT — DO NOT SCALE THIS PRINT			RFP	CAD FILE 951341E	SIZE A
			DIST		DRAWING NO. 951341E
					PAGE OF
					REV.