

PRODUCT INFORMATION PACKET



Model No: F407ES
Catalog No: F407ES
1/4 HP General Purpose Motor, 1 phase, 1800 RPM, 115 V, 48 Frame, ODP
Single Phase ODP Motors



Regal and Century are trademarks of Regal Beloit Corporation or one of its affiliated companies.
©2019 Regal Beloit Corporation, All Rights Reserved. MC017097E

The REGAL logo is a grey rectangular box with the word 'REGAL' in white, bold, uppercase letters. It is positioned on a blue, textured vertical bar that runs down the right side of the page.

REGAL



Nameplate Specifications

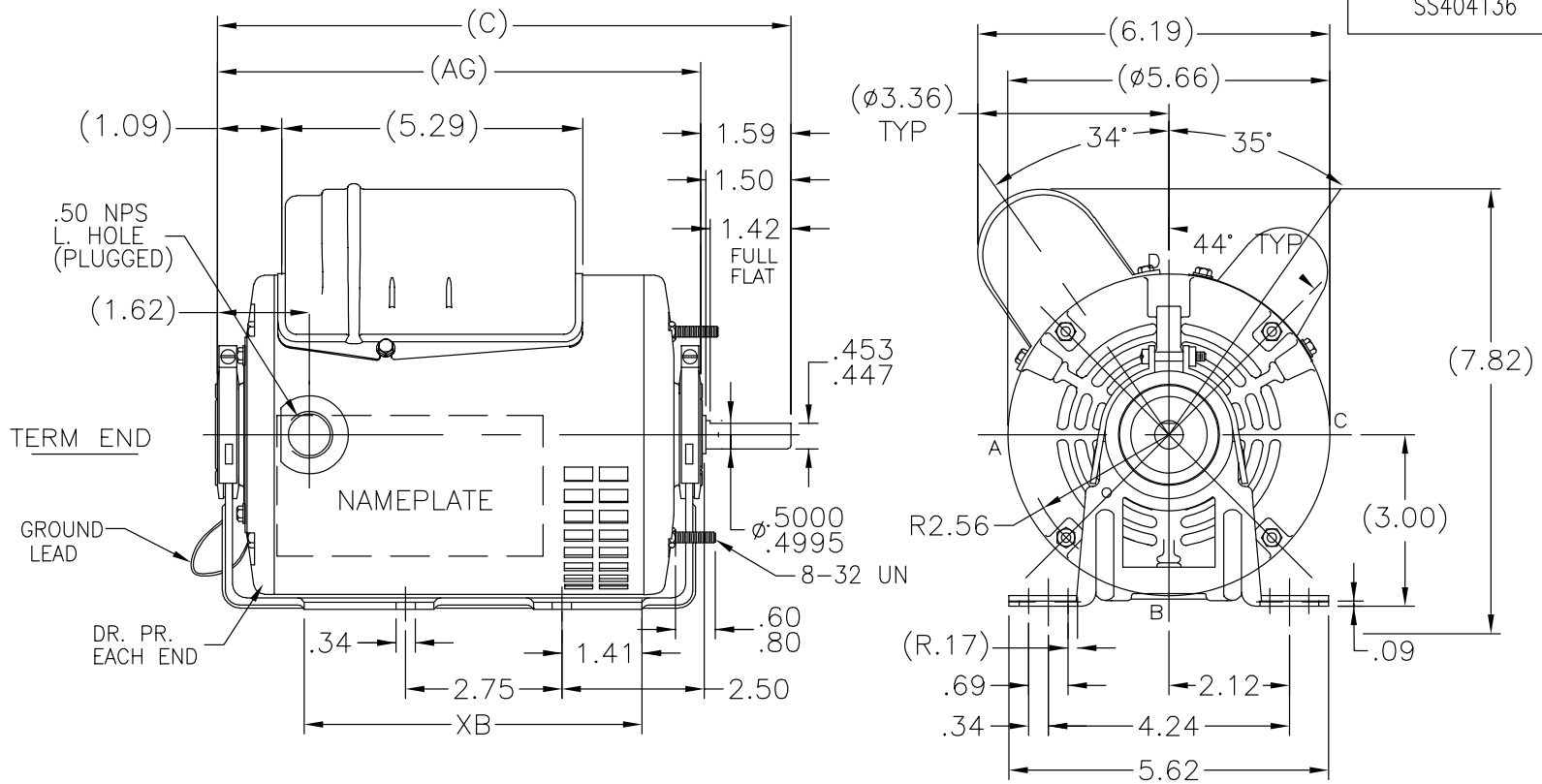
Output HP	1/4 Hp	Output KW	0.19 kW
Frequency	60 Hz	Voltage	115 V
Current	2.4 A	Speed	1725 rpm
Service Factor	1	Phase	1
Duty	Continuous	Insulation Class	B
Frame	48	Enclosure	Drip Proof
Thermal Protection	None	Ambient Temperature	40 °C
UL	Recognized	CSA	N
CE	Y		

Technical Specifications

Electrical Type	Shaded Pole	Starting Method	Across The Line
Poles	4	Rotation	Reversible Counterclockwise
Mounting	Resilient Base	Drive End Bearing	Ball
Opp Drive End Bearing	Ball	Frame Material	Rolled Steel
Shaft Type	Flat	Overall Length	10.34 in
Frame Length	6.75 in	Shaft Diameter	0.500 in
Shaft Extension	1.59 in		


This is an uncontrolled document once printed or downloaded and is subject to change without notice. Date Created:30/10/2019

SS404136



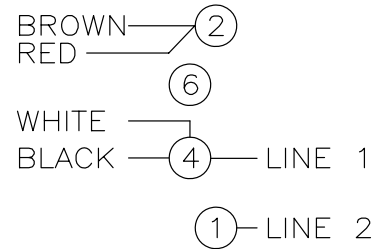
DASH	C	AG	XB
675	10.34	8.75	6.94

SHAFT ENDPLAY: .022 MAX.

NO.		REVISION	BY & DATE	CHK	ANG	TOLERANCES UNLESS SPECIFIED	 Regal Beloit America, Inc.	DRAWN	PVR	12/24/14	
						DEC. INCHES			CHK	AB	12/24/14
						.X ±.1	TITLE	APPD			
						.XX ±.03	OUTLINE	SCALE	3=8		
						.XXX ±.005	48 FR - DP	REF	SS404133		
						.XXXX ±.0005	MAT'L.	FMF	F407ES		
						±7'30"	FINISH	PREV			
				RFP		CAD FILE	SS404136	SIZE	DRAWING NO.	PAGE 1 OF 1	REV.
				DIST	WP			A	SS404136		

THIS DRAWING IN DESIGN AND DETAIL IS OUR PROPERTY AND MUST NOT BE USED EXCEPT IN CONNECTION WITH OUR WORK ALL RIGHTS OF DESIGN AND INVENTION ARE RESERVED THIS IS AN ELECTRONICALLY GENERATED DOCUMENT - DO NOT SCALE THIS PRINT

951341E



ROTATION CCW—OPE TO REVERSE
 INTERCHANGE BLACK WITH RED LEADS

		TOLERANCES UNLESS SPECIFIED			DRAWN SAJ 12/29/14
		DEC.	INCHES		CHK CH 12/29/14
			.X ±.1		APPD
			.XX ±.02	TITLE CONNECTION DIAGRAM	SCALE 1=1
			.XXX ±.005		REF
			.XXXX ±.0005	MAT'L.	FMF
NO.	REVISION	BY & DATE	CHK ANG ±7'30"	FINISH	PREV
THIS DRAWING IN DESIGN AND DETAIL IS OUR PROPERTY AND MUST NOT BE USED EXCEPT IN CONNECTION WITH OUR WORK ALL RIGHTS OF DESIGN AND INVENTION ARE RESERVED THIS IS AN ELECTRONICALLY GENERATED DOCUMENT - DO NOT SCALE THIS PRINT			RFP	CAD FILE 951341E	SIZE A
			DIST		DRAWING NO. 951341E
					PAGE OF REV.