

# PRODUCT INFORMATION PACKET



Model No: F391V1  
Catalog No: F391V1

0.5/0.14 HP 2 speed Fan and Blower HVAC/R Motor, 1 phase, 1800/1200 RPM, 115 V, 56 Frame, ODP  
Belt Drive Motors



Regal and Century are trademarks of Regal Beloit Corporation or one of its affiliated companies.  
©2019 Regal Beloit Corporation, All Rights Reserved. MC017097E

REGAL



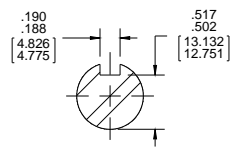
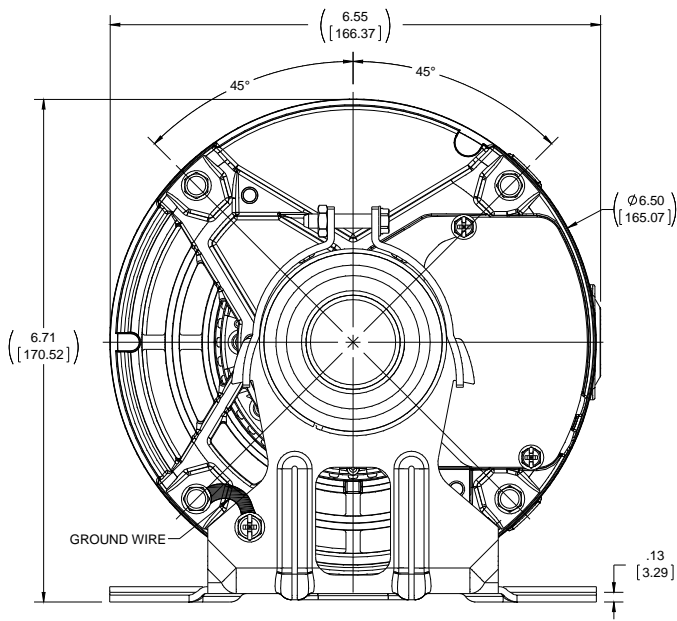
**Nameplate Specifications**

Output HP	0.5/0.14 Hp	Output KW	0.37 kW
Frequency	60 Hz	Voltage	115 V
Current	6.6/4.0 A	Speed	1725/1140 rpm
Service Factor	1.25	Phase	1
Duty	Continuous	Insulation Class	B
Frame	56	Enclosure	Drip Proof
Thermal Protection	Thermally Protected	Ambient Temperature	40 °C
UL	Recognized	CSA	Y
CE	Y		

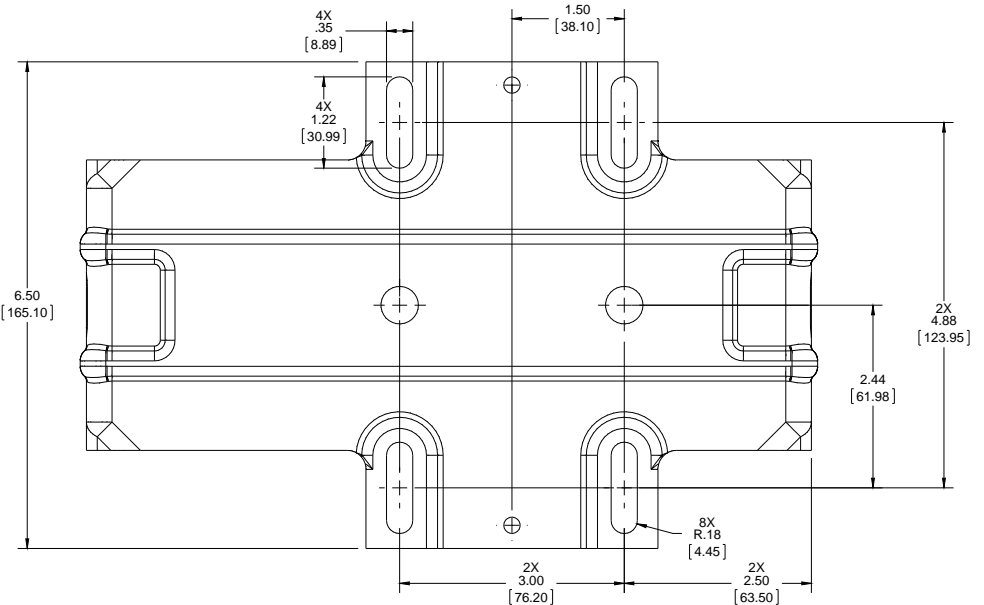
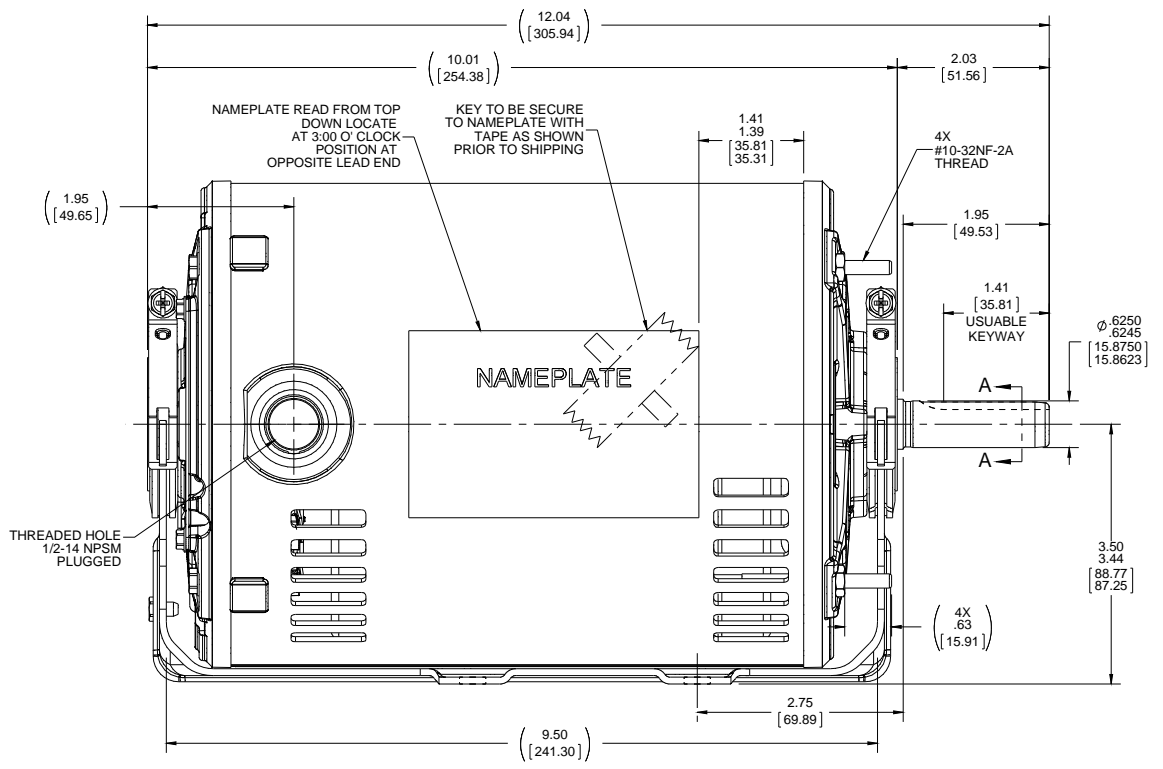
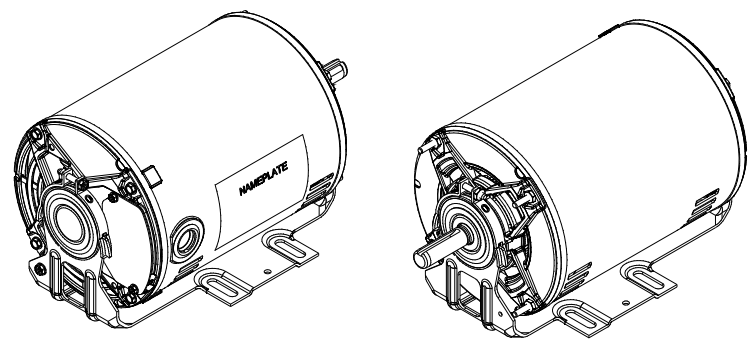
**Technical Specifications**

Electrical Type	Split Phase	Starting Method	Across The Line
Poles	4/6	Rotation	Selective Counterclockwise
Mounting	Resilient Base	Drive End Bearing	Ball
Opp Drive End Bearing	Ball	Frame Material	Rolled Steel
Shaft Type	NEMA 56	Overall Length	12.04 in
Frame Length	7.65 in	Shaft Diameter	0.625 in
Shaft Extension	1.88 in		

This is an uncontrolled document once printed or downloaded and is subject to change without notice. Date Created:30/10/2019



SECTION A-A



DRAWING REVISION A	REVISION BY R.ZAMARRON	DATE 06-29-2016	TOLERANCES UNLESS OTHERWISE SPECIFIED: DEC. INCH mm ANGLE .X ±0.1 [2.5] ±0.5° .XX ±0.03 [±0.76] .XXX ±0.005 [±0.127] .XXXX ±0.0005 [±0.0127] REMOVE BURRS & BREAK SHARP EDGES: .0031 015 [076.281] X 45° CORNER FILLETS: R.02 [51] MACHINED SURFACES: 1/25 3/2 INCH V mm ✓ mm SHOWN IN [BRACKETS]	DRAWN BY R.ZAMARRON	DATE 06-29-2016	DESCRIPTION OUTLINE 56FR, DP, 1-PHASE
ECO ECO-0104440	APPROVED BY J.ORTEGA	DATE 06-29-2016	APPROVED BY J.ORTEGA	DATE 06-29-2016	MATERIAL	PROCESS/FINISH
NEW MODEL RELEASE COPYRIGHT REGAL BELOIT AMERICA, INC. ALL RIGHTS RESERVED. PROPRIETARY AND CONFIDENTIAL INFORMATION. THIS DOCUMENT IS THE PROPERTY OF REGAL BELOIT AMERICA, INC. (OWNER) AND CONTAINS OWNER'S PROPRIETARY INFORMATION. ANY PERSON, CORPORATION OR OTHER FIRM RECEIVING IT IS DEEMED, BY RECEIVING IT, TO AGREE THAT IT, AND/OR ANY PART OF IT, SHALL NOT BE DISCLOSED TO ANY PERSON, CORPORATION OR OTHER ENTITY, DUPLICATED, AND/OR USED, EXCEPT AS EXPRESSLY APPROVED IN WRITING IN ADVANCE BY OWNER. THIS DOCUMENT SHALL BE RETURNED TO OWNER UPON REQUEST. IT MAY BE SUBJECT TO CERTAIN RESTRICTIONS UNDER APPLICABLE EXPORT CONTROL LAWS AND REGULATIONS.			REFERENCE THIRD ANGLE PROJECTION	SIZE C	DRAWING NUMBER OL56100131-001	SHEET 1 OF 1



**CERTIFICATION DATA SHEET**

**CUSTOMER  
CUSTOMER  
PO #:**

**CUSTOMER:**  
**ORDER #:**

**CUSTOMER PART  
#:**

**CONN. DIAGRAM:** CDSM101  
**OUTLINE:** OL56100131-001  
**WINDING #:** NS56(4-6)12

**MOUNTING:** F1 ONLY

**TYPICAL MOTOR PERFORMANCE DATA**

<b>HP</b>	<b>KW</b>	<b>SYNC. RPM</b>	<b>F.L. RPM</b>	<b>FRAME</b>	<b>ENCLOSURE</b>	<b>KVA CODE</b>	<b>DESIGN</b>
1/2&1/7	0.37&0.10	1200	1725&1140	56	DP	L	2VT

<b>PH</b>	<b>Hz</b>	<b>VOLTS</b>	<b>AMPS</b>	<b>START TYPE</b>	<b>DUTY</b>	<b>INSL</b>	<b>S.F.</b>	<b>AMB°C</b>
1	60/60	115&115	6.6&4	ACROSS THE LINE	CONTINUOUS	B3	1.25/1.25	40

<b>FULL LOAD EFF:</b>	66	<b>3/4 LOAD EFF:</b>	41.3	<b>1/2 LOAD EFF:</b>	32.9	<b>GTD. EFF</b>	50.5	<b>ELEC. TYPE</b>
<b>FULL LOAD PF:</b>	73	<b>3/4 LOAD PF:</b>	46	<b>1/2 LOAD PF:</b>	39.5	<b>SPLIT PHASE</b>		

<b>F.L. TORQUE</b>	<b>LOCKED ROTOR AMPS</b>	<b>L.R. TORQUE</b>	<b>B.D. TORQUE</b>	<b>F.L. RISE°C</b>
0.656 LB-FT	41.9	1.48 LB-FT	224.76 %	1.63 LB-FT 247.61 %

<b>SOUND PRESSURE @ 3 FT.</b>	<b>SOUND POWER</b>	<b>ROTOR WK^2</b>	<b>MAX. WK^2</b>	<b>SAFE STALL TIME</b>	<b>STARTS / HOUR</b>	<b>APPROX. MOTOR WGT</b>
0 DBA	10 DBA	0 LB-FT^2	0 LB-FT^2	0 SEC.	0	0 LBS.

**\*\*\* SUPPLEMENTAL INFORMATION \*\*\***

<b>DE BRACKET TYPE</b>	<b>ODE BRACKET TYPE</b>	<b>MOUNT TYPE</b>	<b>ORIENTATION</b>	<b>SEVERE DUTY</b>	<b>HAZARDOUS LOCATION</b>	<b>DRIP COVER</b>	<b>SCREENS</b>	<b>PAINT</b>
STANDARD	STANDARD	RESILIENT BASE	HORIZONTAL	FALSE	NONE	FALSE	NONE	BLACK (POWDER)

<b>BEARINGS</b>	<b>GREASE</b>	<b>SHAFT TYPE</b>	<b>SPECIAL DE</b>	<b>SPECIAL ODE</b>	<b>SHAFT MATERIAL</b>	<b>FRAME MATERIAL</b>
DE ODE						
BALL BALL	POLYREX EM	STANDARD 56	NONE	NONE	AISI 1215 (MS1000)	ROLLED STEEL

<b>THERMO-PROTECTORS</b>						
<b>THERMOSTATS</b>	<b>PROTECTORS</b>	<b>WDG RTDS</b>	<b>BRG RTDS</b>	<b>THERMISTORS</b>	<b>CONTROL</b>	<b>SPACE HEATERS</b>
NONE	AUTOMATIC	NONE	NONE	NONE	FALSE	NONE

**INVERTER TORQUE:** NONE  
**INV. HP SPEED RANGE:** NONE

<b>ENCODER:</b>	NONE
NONE	NONE
NONE	PPR
<b>BRAKE:</b>	NONE
NONE	P/N NONE
NONE	NONE
NONE	FT-LB NONE V NONE HZ

**S**

**PREPARED BY:** Bhargavi Dontham

**DATE:** 08/27/2018 04:52:39 AM

**FORM 3531 REV.3 02/07/99**

\*\* Subject to change without notice.

**CENTURY**

TYPICAL PERFORMANCE CURVE for AC MOTOR

Customer WW Grainger

Curve at 115

Volts

HP 0.5&0.14

PHASE 1

Model No F391V1

60

HZ

VOLTS 115&115

0.5

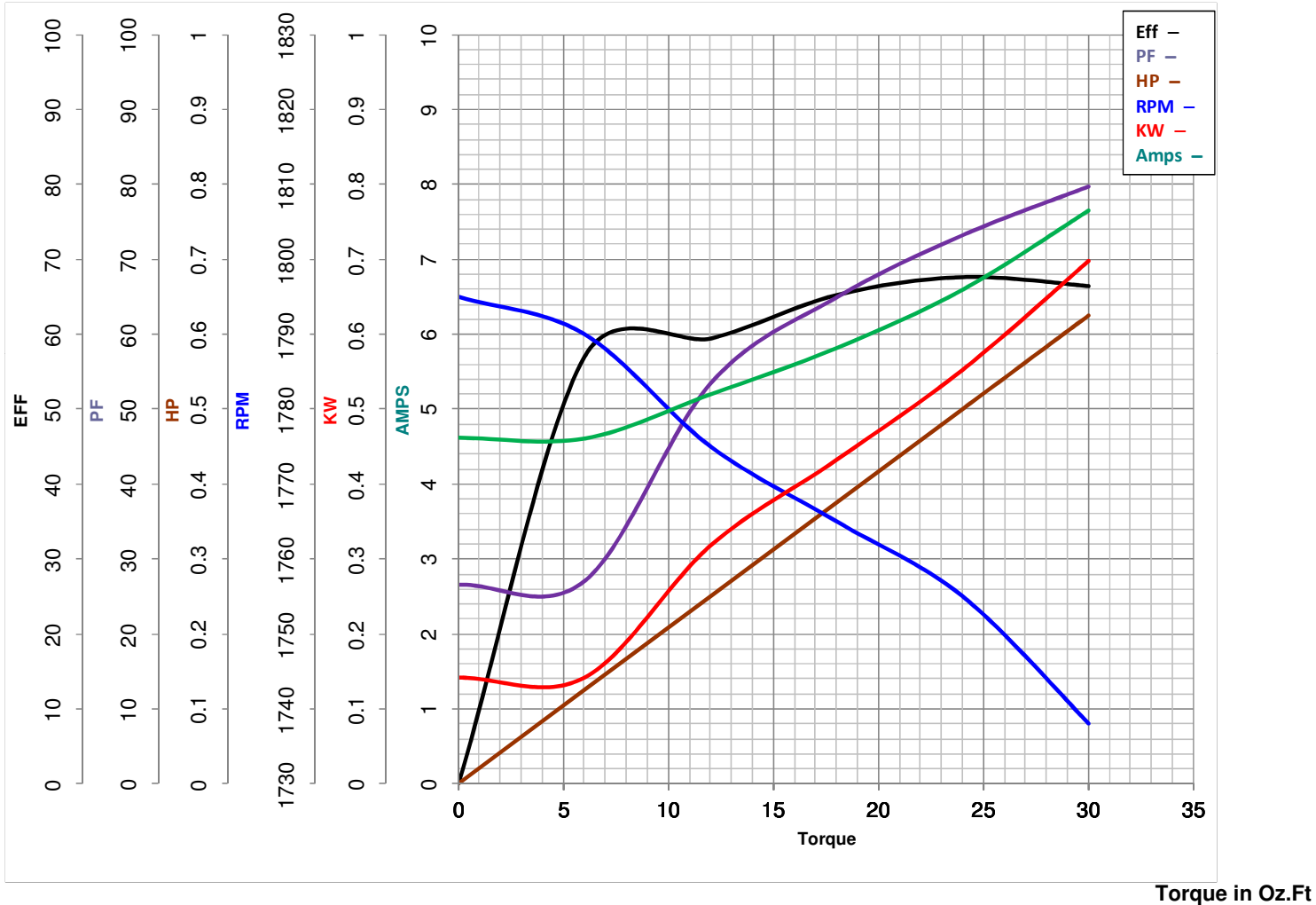
HP

Catalog No F391V1

HIGH SPEED

HZ 60&60

RPM 1725&1140



FL TORQUE	<u>24</u>	Oz.Ft	FL AMPS	<u>6.6</u>	
BD TORQUE	<u>49.3</u>	Oz.Ft	PU TORQUE	<u>17.3</u>	Oz.Ft
LR TORQUE	<u>27.04</u>	Oz.Ft	LR AMPS	<u>43.09</u>	
WINDING	NS56(4-6)12-1	Prepared By	BHARGAVI	Date	8/27/2018

**CENTURY**

TYPICAL PERFORMANCE CURVE for AC MOTOR

Customer WW Grainger

Curve at 115

Volts

HP 0.5&0.14

PHASE 1

Model No F391V1

60

HZ

VOLTS 115&115

0.14

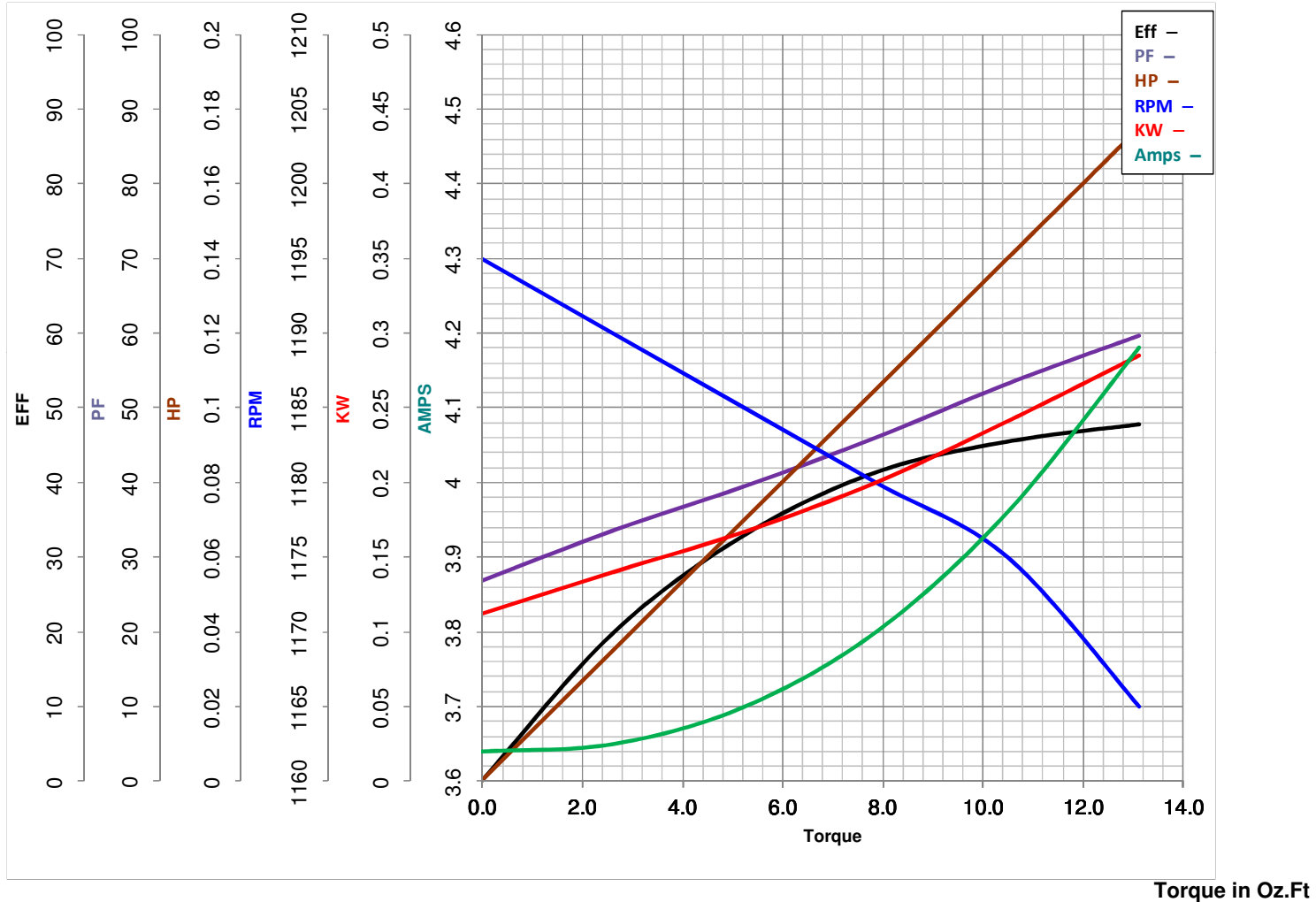
HP

Catalog No F391V1

LOW SPEED

HZ 60&60

RPM 1725&1140



FL TORQUE 10.5 Oz.Ft  
 BD TORQUE 26.1 Oz.Ft  
 LR TORQUE 23.68 Oz.Ft

FL AMPS 6.6  
 PU TORQUE 16.5 Oz.Ft  
 LR AMPS 41.93

WINDING NS56(4-6)12-1

Prepared By BHARGAVI

Date 8/27/2018