

PRODUCT INFORMATION PACKET



Model No: F353V1
Catalog No: F353V1

0.75 HP Fan and Blower HVAC/R Motor, 1 phase, 1800 RPM, 115/208-230 V, 56 Frame, TEFC
Self Cooled Motors



Regal and Century are trademarks of Regal Beloit Corporation or one of its affiliated companies.
©2019 Regal Beloit Corporation, All Rights Reserved. MC017097E

The REGAL logo consists of the word 'REGAL' in a bold, white, sans-serif font, set against a dark gray, trapezoidal background with a slight shadow effect.

REGAL



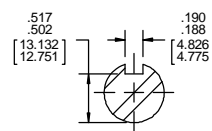
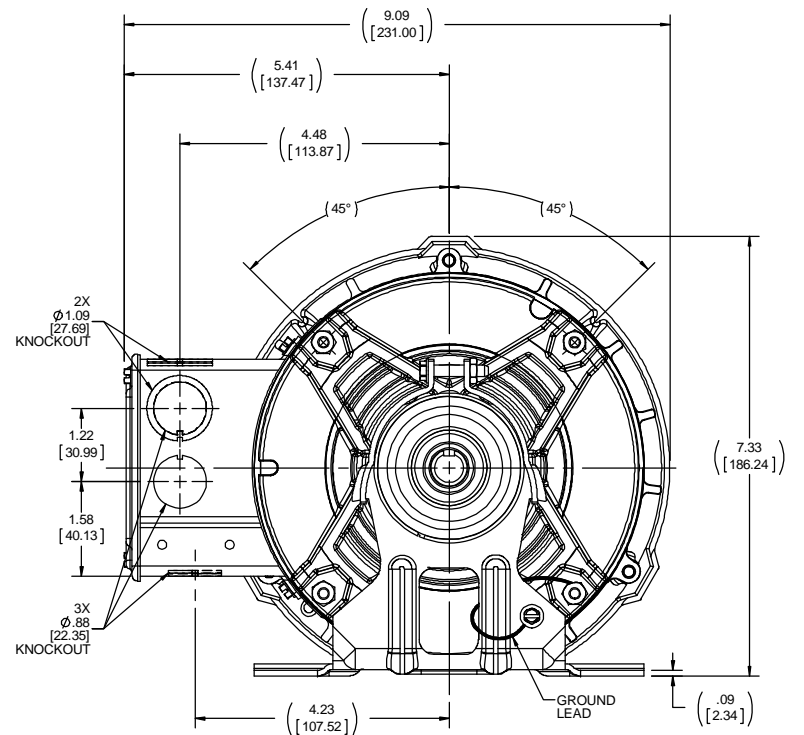
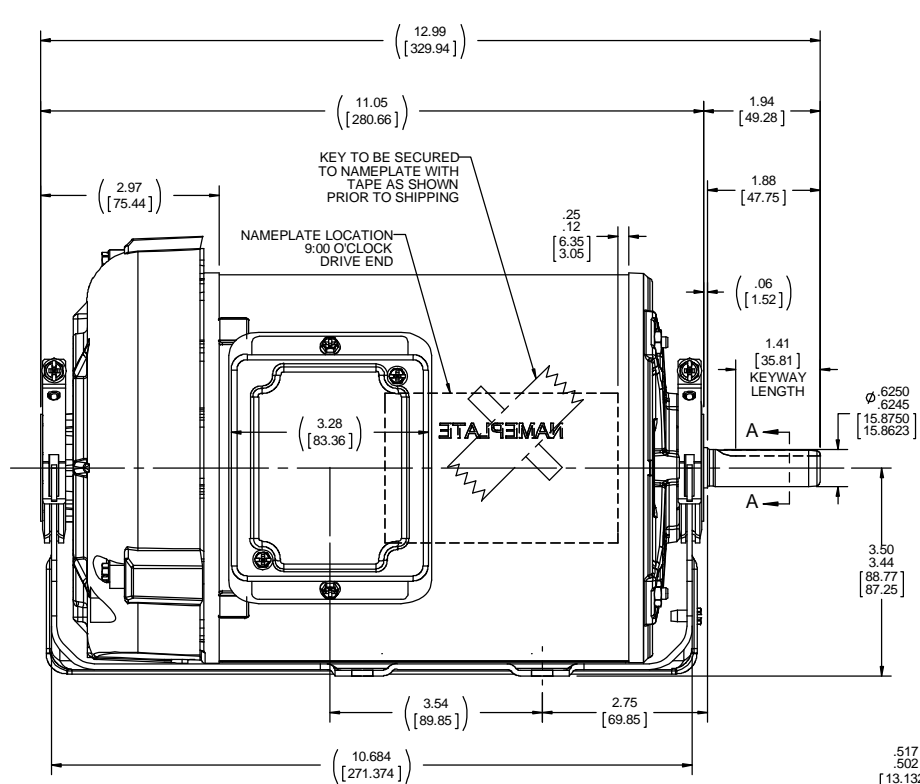
Nameplate Specifications

Output HP	0.75 Hp	Output KW	0.56 kW
Frequency	60 Hz	Voltage	115/208-230 V
Current	9.4/4.9-4.7 A	Speed	1725 rpm
Service Factor	1	Phase	1
Duty	Continuous	Insulation Class	B
Frame	56	Enclosure	Totally Enclosed Fan Cooled
Thermal Protection	Thermally Protected	Ambient Temperature	40 °C
UL	Recognized	CSA	Y
CE	Y		

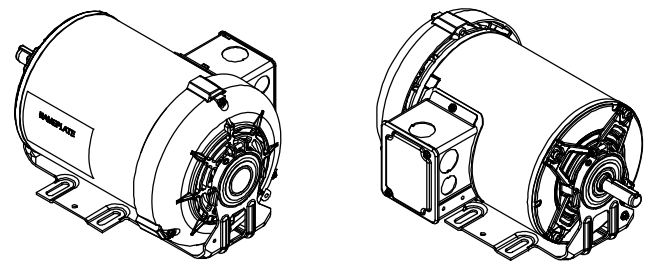
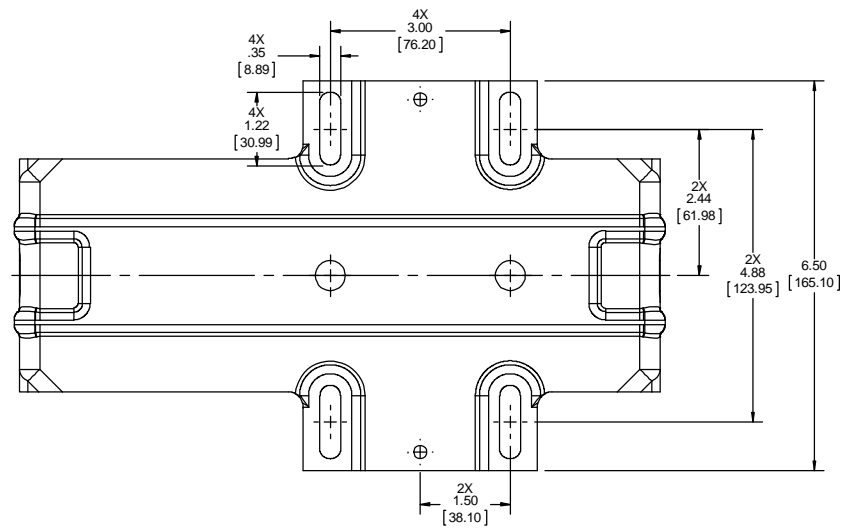
Technical Specifications

Electrical Type	Split Phase	Starting Method	Across The Line
Poles	4	Rotation	Selective Counterclockwise
Mounting	Rigid base	Drive End Bearing	Ball
Opp Drive End Bearing	Ball	Frame Material	Rolled Steel
Shaft Type	Keyed	Overall Length	12.99 in
Frame Length	5.75 in	Shaft Diameter	0.625 in
Shaft Extension	1.88 in		

This is an uncontrolled document once printed or downloaded and is subject to change without notice. Date Created:30/10/2019



SECTION A-A



NOTE
1. KNOCKOUT PERFORATIONS TO BE REMOVED BY CUSTOMER.

DRAWING REVISION A		REVISION BY	DATE	TOLERANCES UNLESS OTHERWISE SPECIFIED:		DRAWN BY J.CORTEZ		Regal Beloit America, Inc.	
ECO	ECO-0137051	APPROVED BY	DATE	DEC.	INCH	mm	ANGLE		DATE
ECO DESCRIPTION				.X	±0.1	[±2.5]	±0.5°	03-19-2018	
NEW				.XX	±0.02	[±0.51]		APPROVED BY	
				.XXX	±0.005	[±0.127]		J.CORTEZ	
				.XXXX	±0.0005	[±0.0127]		DATE	
				REMOVE BURRS & BREAK SHARP EDGES: .0031 [0.078] X 45° CORNER FILLETS: R. 02 [51]				03-19-2018	DESCRIPTION
				MACHINED SURFACES: 125 / 3.2 INCH / mm SHOWN IN (BRACKETS)				REFERENCE	OUTLINE
				THIRD ANGLE PROJECTION				MATERIAL	56FR,TEFC,RESILIENT,1-PHASE
				SIZE				DRAWING NUMBER	PROCESS/FINISH
				C				OL56100316-001	
				SHEET				1 OF 1	