

# PRODUCT INFORMATION PACKET



Model No: F352V2  
Catalog No: F352V2  
.5 HP Fan and Blower HVAC/R Motor, 1 phase, 1800 RPM, 115 V, 56 Frame, TEAO  
Self Cooled Motors



Regal and Century are trademarks of Regal Beloit Corporation or one of its affiliated companies.  
©2019 Regal Beloit Corporation, All Rights Reserved. MC017097E

The REGAL logo consists of the word 'REGAL' in a bold, white, sans-serif font, set against a dark grey, trapezoidal background.



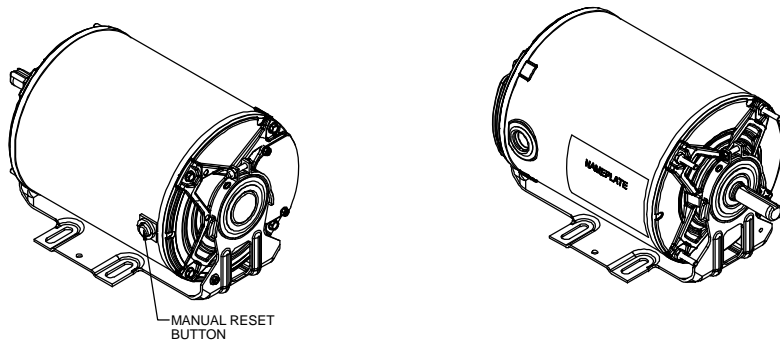
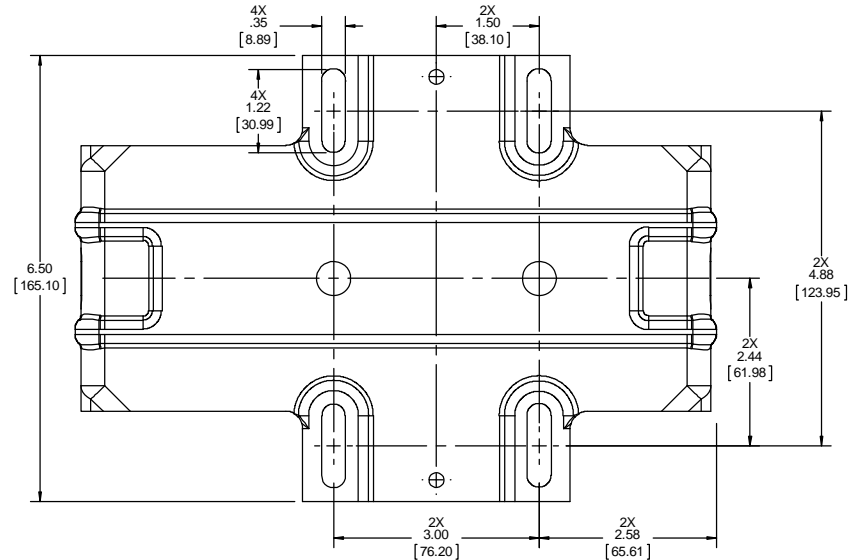
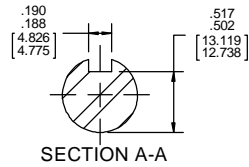
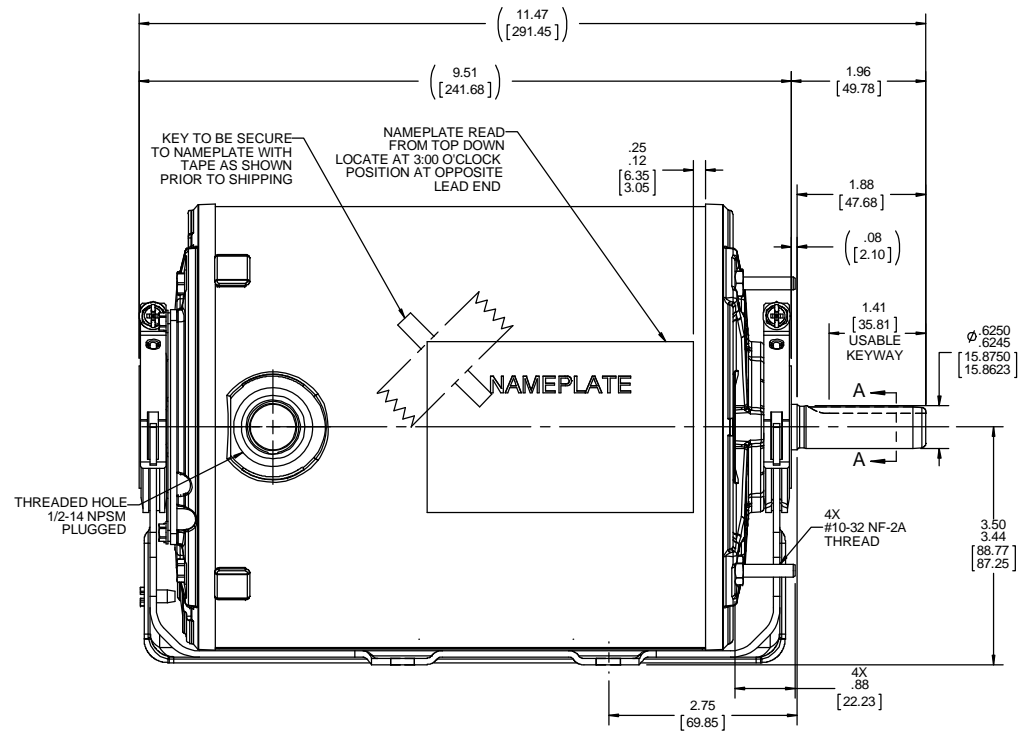
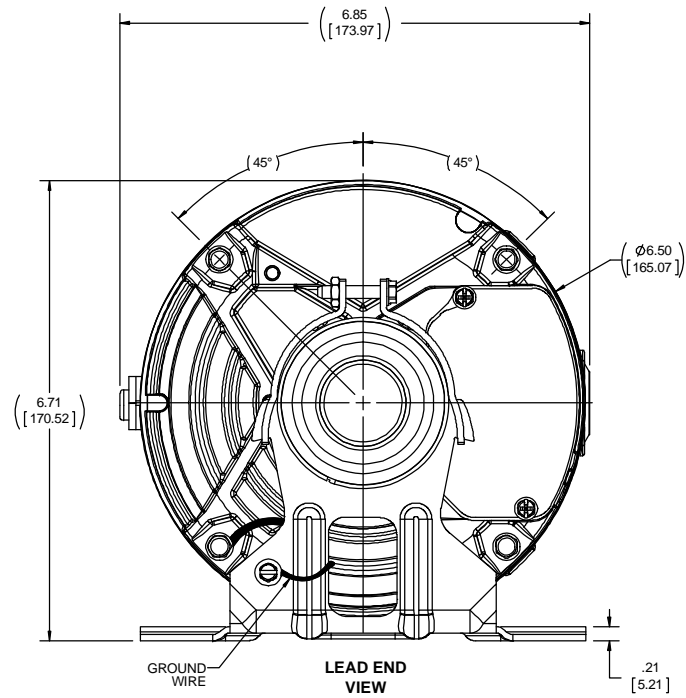
**Nameplate Specifications**

Output HP	<b>.5 Hp</b>	Output KW	<b>0.37 kW</b>
Frequency	<b>60 Hz</b>	Voltage	<b>115 V</b>
Current	<b>7.1 A</b>	Speed	<b>1725 rpm</b>
Service Factor	<b>1</b>	Phase	<b>1</b>
Duty	<b>Continuous</b>	Insulation Class	<b>B</b>
Frame	<b>56</b>	Enclosure	<b>Totally Enclosed Air Over</b>
Thermal Protection	<b>Thermally Protected</b>	Ambient Temperature	<b>40 °C</b>
UL	<b>Recognized</b>	CSA	<b>Y</b>
CE	<b>N</b>		

**Technical Specifications**

Electrical Type	<b>Split Phase</b>	Starting Method	<b>Across The Line</b>
Poles	<b>4</b>	Rotation	<b>Selective Counterclockwise</b>
Mounting	<b>Resilient Base</b>	Drive End Bearing	<b>Ball</b>
Opp Drive End Bearing	<b>Ball</b>	Frame Material	<b>Rolled Steel</b>
Shaft Type	<b>NEMA 56</b>	Overall Length	<b>11.47 in</b>
Frame Length	<b>7.15 in</b>	Shaft Diameter	<b>0.625 in</b>
Shaft Extension	<b>1.88 in</b>		

This is an uncontrolled document once printed or downloaded and is subject to change without notice. Date Created:30/10/2019



DRAWING REVISION A	REVISION BY	DATE	TOLERANCES UNLESS OTHERWISE SPECIFIED:	DRAWN BY D.SURYAWANSHI	Regal Beloit America, Inc.
ECO-0142807	APPROVED BY	DATE	DEC. INCH mm ANGLE	DATE 06/08/2018	
ECO DESCRIPTION			.X ±0.1 [2.5] ±0.5°	APPROVED BY SM	DESCRIPTION <b>OUTLINE</b>
NEW DRAWING RELEASE			.XX ±0.03 [0.76]	DATE 06/08/2018	MATERIAL 56FR, 1-PHASE, RESILIENT
COPYRIGHT REGAL BELOIT AMERICA, INC. ALL RIGHTS RESERVED.			.XXX ±0.005 [0.127]	REFERENCE ME174618	PROCESS/FINISH
PROPRIETARY AND CONFIDENTIAL INFORMATION. THIS DOCUMENT IS THE PROPERTY OF REGAL BELOIT AMERICA, INC. OWNERSHIP AND CONTAINS OWNERS PROPRIETARY INFORMATION. ANY PERSON, CORPORATION OR OTHER FIRM RECEIVING IT IS DEEMED TO AGREE THAT IT, AND/OR ANY PART OF IT, SHALL NOT BE DISCLOSED TO ANY PERSON, CORPORATION OR OTHER ENTITY, DUPLICATED, AND/OR USED, EXCEPT AS EXPRESSLY APPROVED IN WRITING IN ADVANCE BY OWNER. THIS DOCUMENT SHALL BE RETURNED TO OWNER UPON REQUEST. IT MAY BE SUBJECT TO CERTAIN RESTRICTIONS UNDER APPLICABLE EXPORT CONTROL LAWS AND REGULATIONS.			.XXXX ±0.0005 [±0.0127]	THIRD ANGLE PROJECTION	
			MACHINED SURFACES: 125 / 32 INCH/mil	SIZE C	DRAWING NUMBER <b>OL56100484-001</b>
			mm SHOWN IN (BRACKETS)		SHEET 1 OF 1