

# PRODUCT INFORMATION PACKET



Model No: F267V1

Catalog No: F267V1

0.33 HP Convection and Pizza Oven Motor, 1 phase, 1800 RPM, 100-115/200-230 V, 56Z Frame, ODP  
Convection and Pizza Oven Motors



Regal and Century are trademarks of Regal Beloit Corporation or one of its affiliated companies.

©2019 Regal Beloit Corporation, All Rights Reserved. MC017097E

REGAL



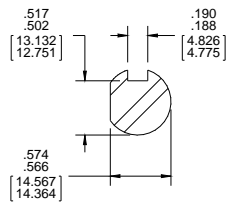
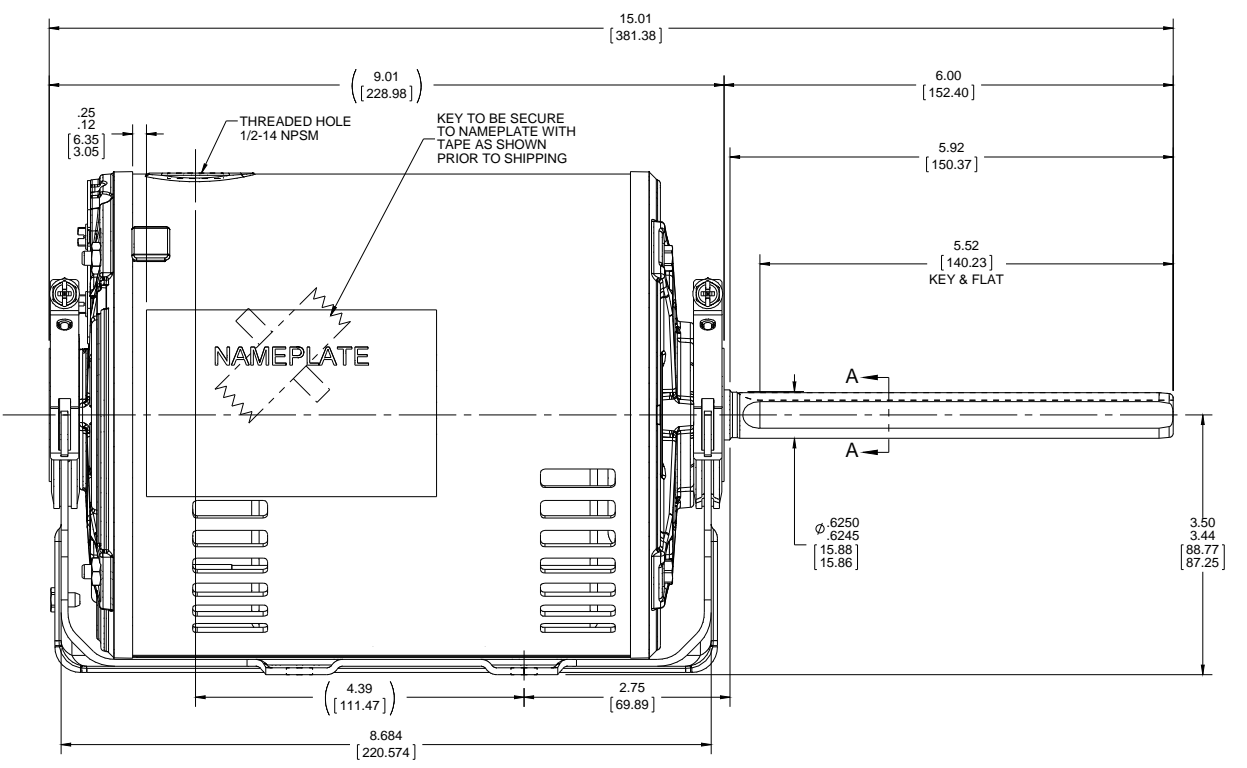
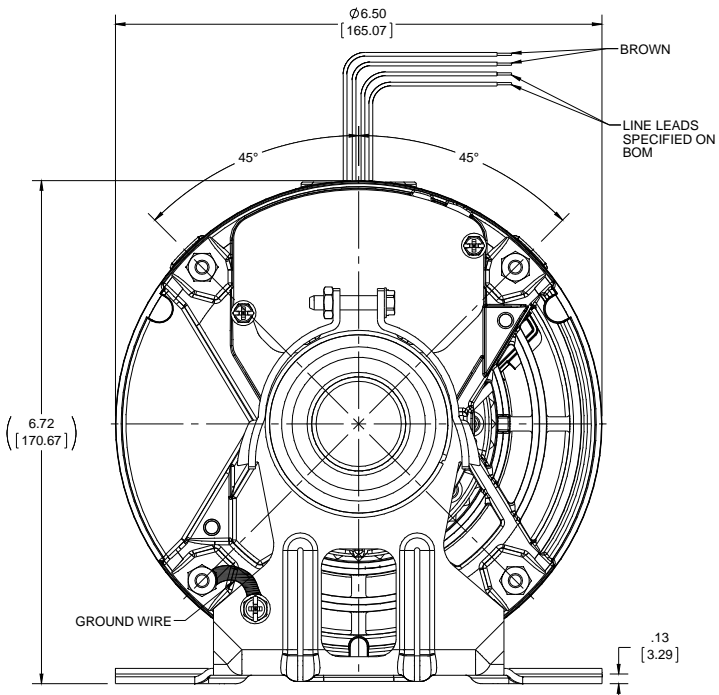
**Nameplate Specifications**

Output HP	<b>0.33 Hp</b>	Output KW	<b>0.25 kW</b>
Frequency	<b>60 Hz</b>	Voltage	<b>100-115/200-230 V</b>
Current	<b>4.8-4.8/2.4-2.4 A</b>	Speed	<b>1725 rpm</b>
Service Factor	<b>1.35</b>	Phase	<b>1</b>
Duty	<b>Continuous</b>	Insulation Class	<b>B</b>
Frame	<b>56Z</b>	Enclosure	<b>Drip Proof</b>
Thermal Protection	<b>Thermally Protected</b>	Ambient Temperature	<b>60 °C</b>
UL	<b>Recognized</b>	CSA	<b>Y</b>
CE	<b>Y</b>		

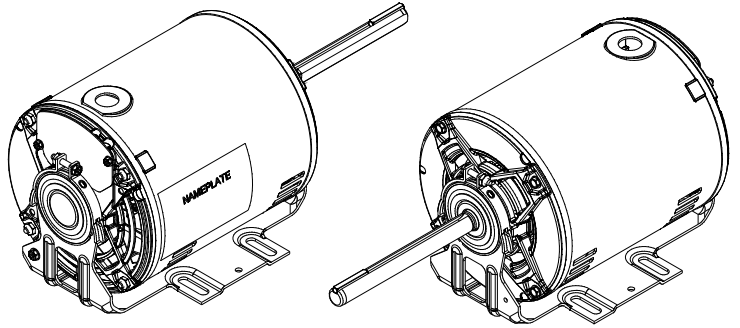
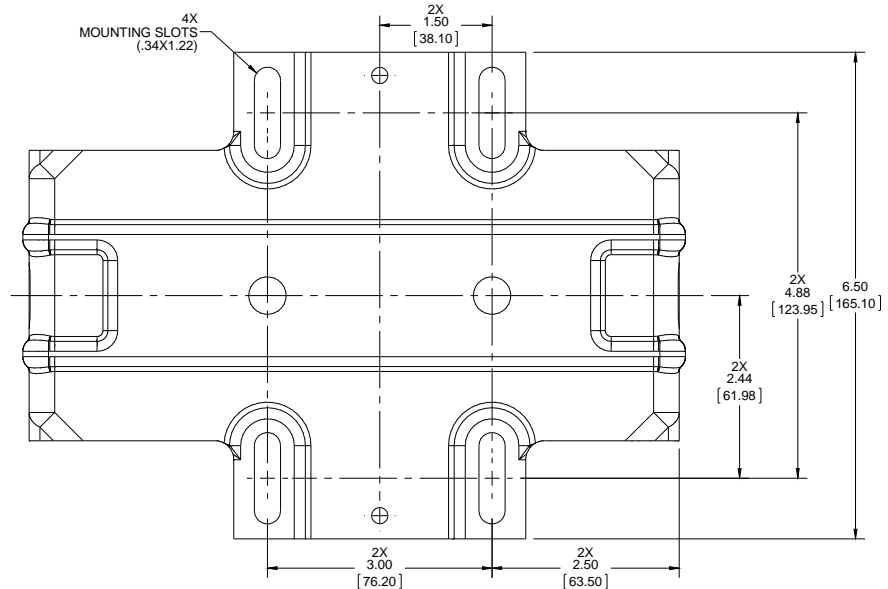
**Technical Specifications**

Electrical Type	<b>Split Phase</b>	Starting Method	<b>Across The Line</b>
Poles	<b>4</b>	Rotation	<b>Selective Counterclockwise</b>
Mounting	<b>Resilient Base</b>	Drive End Bearing	<b>Ball</b>
Opp Drive End Bearing	<b>Ball</b>	Frame Material	<b>Rolled Steel</b>
Shaft Type	<b>Keyed</b>	Overall Length	<b>15.01 in</b>
Frame Length	<b>6.65 in</b>	Shaft Diameter	<b>0.625 in</b>
Shaft Extension	<b>5.92 in</b>		

This is an uncontrolled document once printed or downloaded and is subject to change without notice. Date Created:30/10/2019



SECTION A-A



DRAWING REVISION A	REVISION BY D.VALENCIANO	DATE 06-10-2016	TOLERANCES UNLESS OTHERWISE SPECIFIED: DEC. INCH mm ANGLE .XX ±0.1 [2.5] .XXX ±0.03 [±0.76] .XXXX ±0.005 [±0.127] .XXXX ±0.0005 [±0.0127]	DRAWN BY D.VALENCIANO	DATE 06-10-2016	DESCRIPTION OUTLINE 56FR, DP, 1-PHASE
ECO ECO-0103694	APPROVED BY J.ORTEGA	DATE 06-10-2016	REMOVE BURRS & BREAK SHARP EDGES: .0031015 [0.076381] X 45° CORNER FILLETS: R.02 [51] MACHINED SURFACES: .125 / 3.2 INCH / mm V mm SHOWN IN [BRACKETS]	APPROVED BY J.ORTEGA	DATE 06-10-2016	MATERIAL F267
NEW MODEL RELEASE COPYRIGHT REGAL BELOIT AMERICA, INC. ALL RIGHTS RESERVED. PROPRIETARY AND CONFIDENTIAL INFORMATION. THIS DOCUMENT IS THE PROPERTY OF REGAL BELOIT AMERICA, INC. FORMERLY AND CONTAINS OWNER'S PROPRIETARY INFORMATION. ANY PERSON, CORPORATION OR OTHER FIRM RECEIVING IT IS DEEMED, BY RECEIVING IT, TO AGREE THAT IT, AND/OR ANY PART OF IT, SHALL NOT BE DISCLOSED TO ANY PERSON, CORPORATION OR OTHER ENTITY, DUPLICATED, AND/OR USED, EXCEPT AS EXPRESSLY APPROVED IN WRITING IN ADVANCE BY OWNER. THIS DOCUMENT SHALL BE RETURNED TO OWNER UPON REQUEST. IT MAY BE SUBJECT TO CERTAIN RESTRICTIONS UNDER APPLICABLE EXPORT CONTROL LAWS AND REGULATIONS.			THIRD ANGLE PROJECTION	SIZE C	DRAWING NUMBER OL56100108-001	PROCESS/FINISH SHEET 1 OF 1