

PRODUCT INFORMATION PACKET



Model No: CPO44A

Catalog No: CPO44A

7.5 HP Close-Coupled Pump Motor, 3 phase, 3600 RPM, 230/460 V, 184J Frame, ODP
JP Motors



Regal and Century are trademarks of Regal Beloit Corporation or one of its affiliated companies.

©2019 Regal Beloit Corporation, All Rights Reserved. MC017097E

REGAL



Nameplate Specifications

Output HP	7.5 Hp	Output KW	5.6 kW
Frequency	60 Hz	Voltage	230/460 V
Current	17.8/8.9 A	Speed	3510 rpm
Service Factor	1.15	Phase	3
Duty	Continuous	Insulation Class	F
Frame	184J	Enclosure	Open Drip Proof
Thermal Protection	None	Ambient Temperature	40 °C
UL	Recognized	CSA	Y
CE	Y		

Technical Specifications

Electrical Type	POLYPHASE	Starting Method	Across The Line
Poles	2	Rotation	Reversible
Mounting	Rigid Base	Drive End Bearing	Ball
Opp Drive End Bearing	Ball	Frame Material	Rolled Steel
Shaft Type	Keyed	Overall Length	18.70 in
Frame Length	8.26 in	Shaft Diameter	1.249 in
Shaft Extension	7.31 in		

This is an uncontrolled document once printed or downloaded and is subject to change without notice. Date Created:30/10/2019

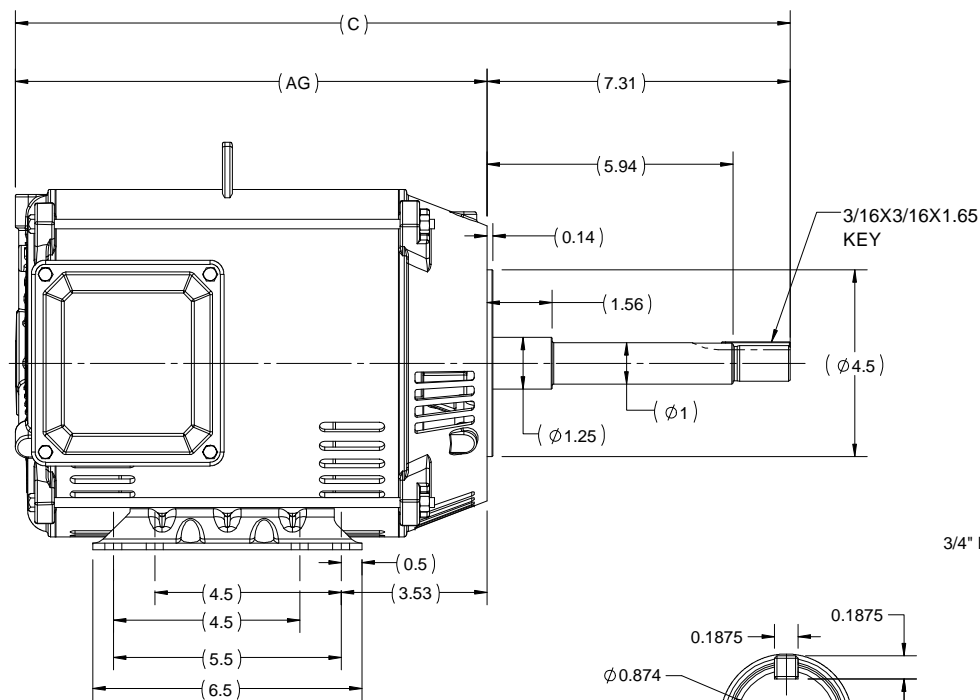
4

3

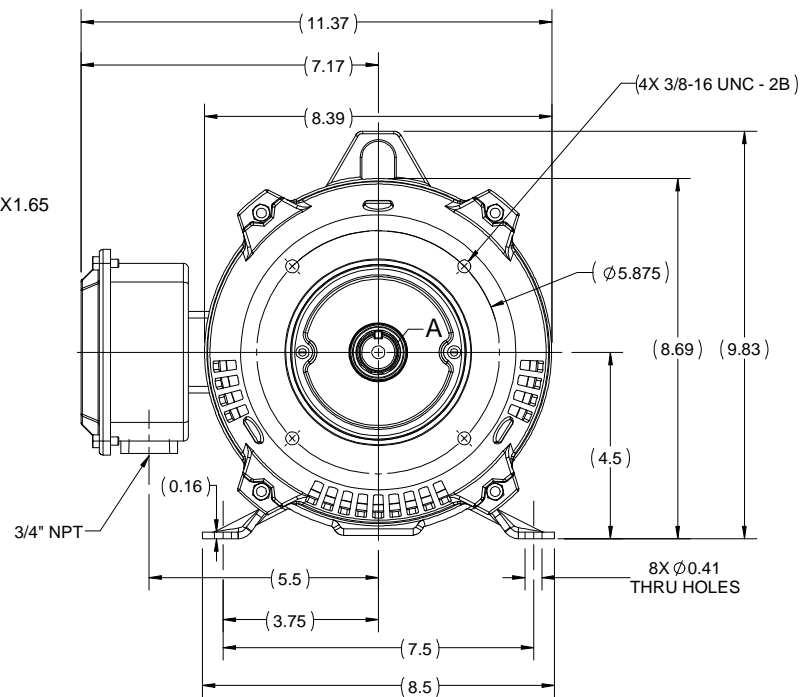
Uncontrolled Copy

2

1



DETAIL A



182JP	17.7	10.4
184JP	18.7	11.4
FRAME	C	AG

DRAWING REVISION A	REVISION BY MSH	DATE 18/04/2018
ECO ECO-0143284	APPROVED BY SBD	DATE 18/04/2018
ECO DESCRIPTION NEW DRAWING RELEASE <small>COPYRIGHT REGAL BELOIT AMERICA, INC. ALL RIGHTS RESERVED. PROPRIETARY AND CONFIDENTIAL INFORMATION - THIS DOCUMENT IS THE PROPERTY OF REGAL BELOIT AMERICA, INC. (OWNER) AND CONTAINS OWNER'S PROPRIETARY INFORMATION. ANY PERSON, CORPORATION OR OTHER FIRM RECEIVING IT IS DEEMED, BY RECEIVING IT, TO AGREE THAT IT, AND/OR ANY PART OF IT, SHALL NOT BE DISCLOSED TO ANY PERSON, CORPORATION OR OTHER ENTITY, DUPLICATED, AND/OR USED, EXCEPT AS EXPRESSLY APPROVED IN WRITING IN ADVANCE BY OWNER. THIS DOCUMENT SHALL BE RETURNED TO OWNER UPON REQUEST. IT MAY BE SUBJECT TO CERTAIN RESTRICTIONS UNDER APPLICABLE EXPORT CONTROL LAWS AND REGULATIONS.</small>		

DRAWN BY MSH	Regal Beloit America, Inc.
DATE 18/04/2018	
APPROVED BY SBD	DESCRIPTION OUTLINE 182/184JP FR ODP RS
DATE 18/04/2018	MATERIAL
REFERENCE	PROCESS/FINISH
THIRD ANGLE PROJECTION	SIZE B
	DRAWING NUMBER SS600205
	SHEET 1 OF 1

4

3

2

1

