

PRODUCT INFORMATION PACKET



Model No: CPO17

Catalog No: CPO17

2 HP Close-Coupled Pump Motor, 3 phase, 1800 RPM, 208-230/460 V, 145JP Frame, ODP
JP Motors



Regal and Century are trademarks of Regal Beloit Corporation or one of its affiliated companies.

©2019 Regal Beloit Corporation, All Rights Reserved. MC017097E

The REGAL logo consists of the word 'REGAL' in a bold, white, sans-serif font, set within a dark grey, trapezoidal shape that tapers to the right. This logo is positioned on a vertical blue gradient bar that runs down the right side of the page.

REGAL



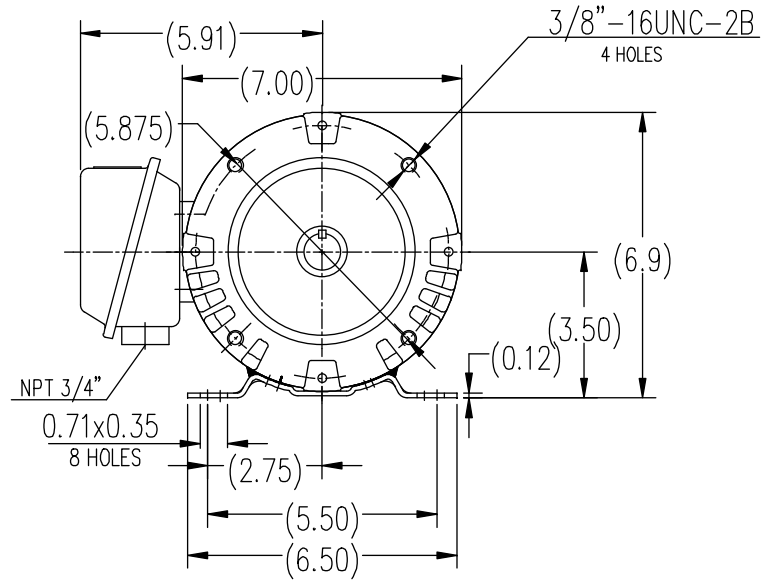
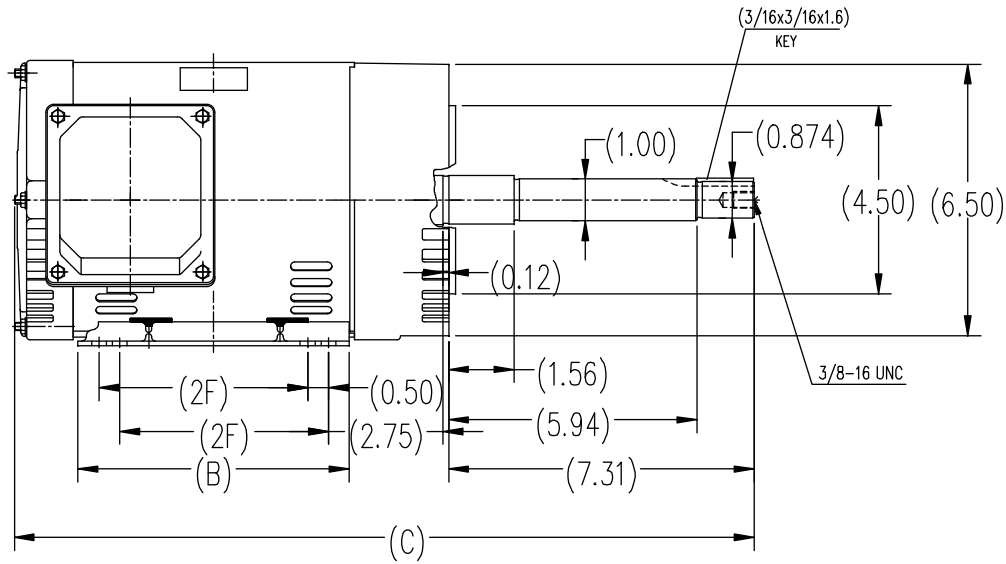
Nameplate Specifications

Output HP	2 Hp	Output KW	1.5 kW
Frequency	60 Hz	Voltage	208-230/460 V
Current	5.5-5/2.5 A	Speed	1730 rpm
Service Factor	1.15	Phase	3
Duty	Continuous	Insulation Class	F
Frame	145JP	Enclosure	Open Drip Proof
Thermal Protection	None	Ambient Temperature	40 °C
UL	Recognized	CSA	Y
CE	Y		

Technical Specifications

Electrical Type	POLYPHASE	Starting Method	Across The Line
Poles	4	Rotation	Reversible
Mounting	Rigid Base	Drive End Bearing	Ball
Opp Drive End Bearing	Ball	Frame Material	Rolled Steel
Shaft Type	Keyed	Overall Length	17.90 in
Frame Length	6.75 in	Shaft Diameter	1.000 in
Shaft Extension	7.31 in		

This is an uncontrolled document once printed or downloaded and is subject to change without notice. Date Created:30/10/2019



TYPE	2F	B	C
ODP 143JP	4.0	5.71	16.9
ODP 145JP	5.0	6.70	17.9

		TOLERANCES UNLESS SPECIFIED		REGAL REGAL-BELOIT CORPORATION		DRAWN WANG 7.26.2012		
		DEC.	INCHES			CHK		
		.X	±.1	TITLE 143/145JP ODP-ROLLED STEEL		APPD		
		.XX	±.03			SCALE		
		.XXX	±.005			REF		
		.XXXX	±.0005	MAT'L.	FMF	PREV		
NO.	REVISION	BY & DATE	CHK	ANG	±1/2	FINISH		
THIS DRAWING IN DESIGN AND DETAIL IS OUR PROPERTY AND MUST NOT BE USED EXCEPT IN CONNECTION WITH OUR WORK ALL RIGHTS OF DESIGN AND INVENTION ARE RESERVED THIS IS AN ELECTRONICALLY GENERATED DOCUMENT - DO NOT SCALE THIS PRINT			RFP	CAD FILE	SS620614	SIZE	DRAWING NO.	REV.
			DIST			B	SS620614	



NO.		REVISION		BY & DATE		CHK		ANG		FINISH		PREV									
5	CHG TO REGAL LOGO	SL	09/10/2015	AB																	
4	REVISED IEC NOTATIONS	MSG	11/15/2011	CMN	.X	±.1															
3	ADDED IEC NOTATIONS... (U1), (V1) ETC. MU95194	MSG	5/10/2010	MJS	.XX	±.02															
2	ADDED THE OPTIONAL CORD CONNECTION MU46318	RDH	04/24/2003	DRS	.XXX	±.005															
1	REDRAWN	RM	11/20/1990		.XXXX	±.0005															
THIS DRAWING IN DESIGN AND DETAIL IS OUR PROPERTY AND MUST NOT BE USED EXCEPT IN CONNECTION WITH OUR WORK ALL RIGHTS OF DESIGN AND INVENTION ARE RESERVED THIS IS AN ELECTRONICALLY GENERATED DOCUMENT - DO NOT SCALE THIS PRINT										RFP		CAD FILE ee7308		SIZE A		DRAWING NO. EE7308		PAGE OF 5		REV. 5	
										DIST WP											

REGAL™ Regal Beloit America, Inc.

DRAWN RM 11/20/1990
 CHK ML 11/21/1990
 APPD SAS 04/24/2003
 SCALE 1=1
 REF
 FMF
 PREV

TITLE CONNECTION DIAGRAM
 3Ø - DUAL VOLTAGE MOTOR