

PRODUCT INFORMATION PACKET



Model No: CPO14

Catalog No: CPO14

1.5 HP Close-Coupled Pump Motor, 3 phase, 3600 RPM, 208-230/460 V, 143JM Frame, ODP
JM Motors



Regal and Century are trademarks of Regal Beloit Corporation or one of its affiliated companies.

©2019 Regal Beloit Corporation, All Rights Reserved. MC017097E

REGAL



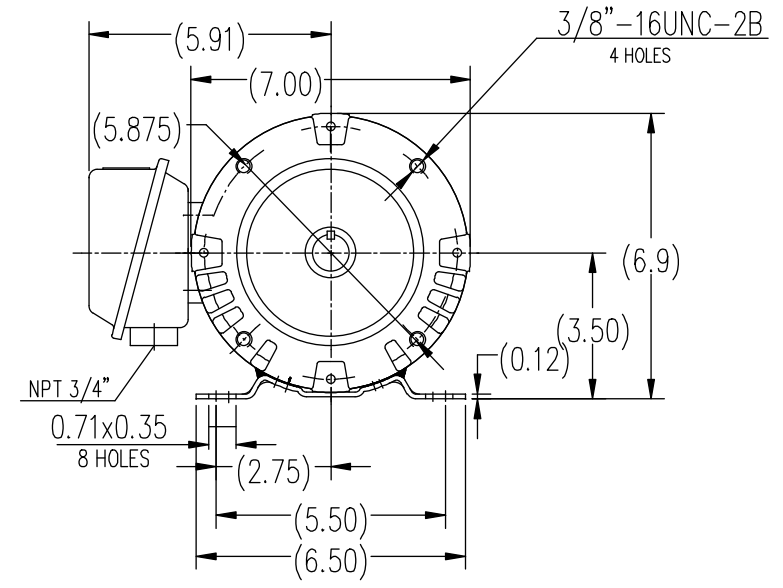
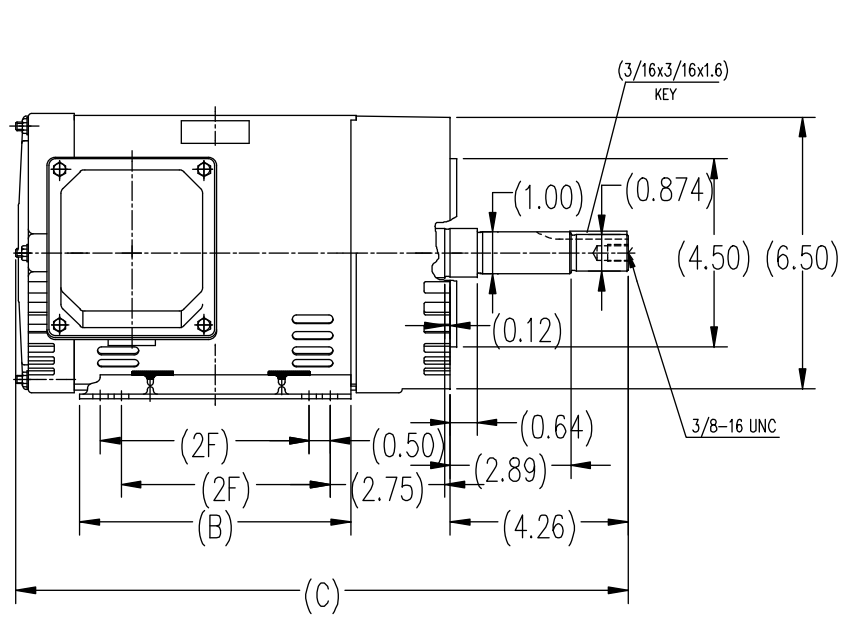
Nameplate Specifications

Output HP	1.5 Hp	Output KW	1.1 kW
Frequency	60 Hz	Voltage	208-230/460 V
Current	4.2-3.8/1.9 A	Speed	3482 rpm
Service Factor	1.15	Phase	3
Duty	Continuous	Insulation Class	F
Frame	143JM	Enclosure	Open Drip Proof
Thermal Protection	None	Ambient Temperature	40 °C
UL	Recognized	CSA	Y
CE	Y		


Technical Specifications

Electrical Type	POLYPHASE	Starting Method	Across The Line
Poles	2	Rotation	Reversible
Mounting	Rigid Base	Drive End Bearing	Ball
Opp Drive End Bearing	Ball	Frame Material	Rolled Steel
Shaft Type	Keyed	Overall Length	13.80 in
Frame Length	5.75 in	Shaft Diameter	1.000 in
Shaft Extension	4.26 in		

This is an uncontrolled document once printed or downloaded and is subject to change without notice. Date Created:30/10/2019



TYPE	2F	B	C
ODP 143JM	4.0	5.71	13.8
ODP 145JM	5.0	6.70	14.8

		TOLERANCES UNLESS SPECIFIED		 REGAL-BELOIT CORPORATION		DRAWN WANG 7.26.2012	
		DEC.	INCHES			CHK	
		.X	±.1	TITLE		SCALE	
		.XX	±.03	ODP 143/145JM		REF	
		.XXX	±.005	MAT'L.		FMF	
		.XXXX	±.0005	FINISH		PREV	
NO.	REVISION	BY & DATE	CHK	ANG	±1/2	RFP	CAD FILE
THIS DRAWING IN DESIGN AND DETAIL IS OUR PROPERTY AND MUST NOT BE USED EXCEPT IN CONNECTION WITH OUR WORK ALL RIGHTS OF DESIGN AND INVENTION ARE RESERVED THIS IS AN ELECTRONICALLY GENERATED DOCUMENT - DO NOT SCALE THIS PRINT				DIST	SS620613	SIZE	DRAWING NO.
					B	SS620613	REV.

