

PRODUCT INFORMATION PACKET



Model No: CPO11
Catalog No: CPO11

1 HP Close-Coupled Pump Motor, 3 phase, 1800 RPM, 208-230/460 V, 143JP Frame, ODP
JM Motors



Regal and Century are trademarks of Regal Beloit Corporation or one of its affiliated companies.
©2019 Regal Beloit Corporation, All Rights Reserved. MC017097E

REGAL



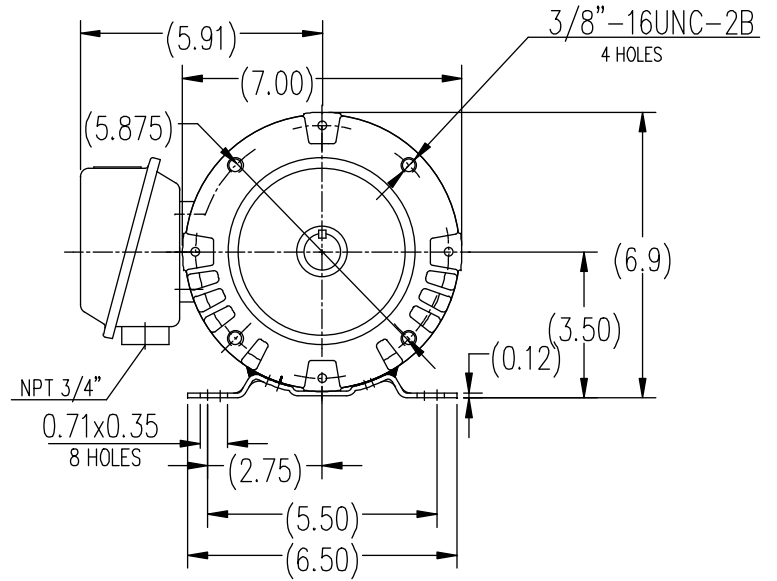
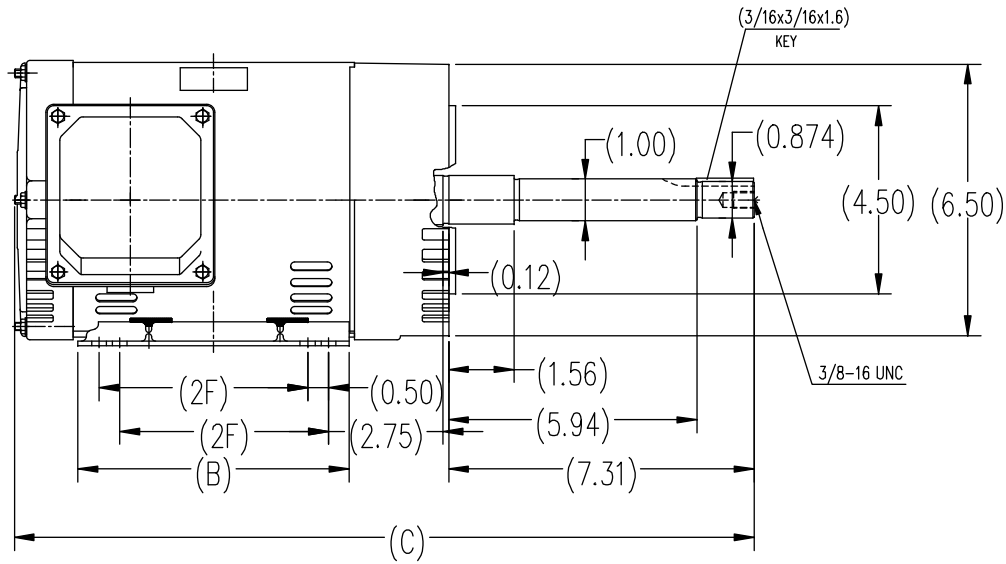
Nameplate Specifications

Output HP	1 Hp	Output KW	0.75 kW
Frequency	60 Hz	Voltage	208-230/460 V
Current	3.1-2.8/1.4 A	Speed	1748 rpm
Service Factor	1.15	Phase	3
Duty	Continuous	Insulation Class	F
Frame	143JP	Enclosure	Open Drip Proof
Thermal Protection	None	Ambient Temperature	40 °C
UL	Recognized	CSA	Y
CE	Y		

Technical Specifications

Electrical Type	POLYPHASE	Starting Method	Across The Line
Poles	4	Rotation	Reversible
Mounting	Rigid Base	Drive End Bearing	Ball
Opp Drive End Bearing	Ball	Frame Material	Rolled Steel
Shaft Type	Keyed	Overall Length	16.90 in
Frame Length	5.75 in	Shaft Diameter	1.000 in
Shaft Extension	7.31 in		

This is an uncontrolled document once printed or downloaded and is subject to change without notice. Date Created:30/10/2019



TYPE	2F	B	C
ODP 143JP	4.0	5.71	16.9
ODP 145JP	5.0	6.70	17.9

		TOLERANCES UNLESS SPECIFIED		REGAL REGAL-BELOIT CORPORATION		DRAWN WANG 7.26.2012
		DEC.	INCHES			CHK
		.X	±.1			APPD
		.XX	±.03	TITLE		SCALE
		.XXX	±.005	143/145JP ODP-ROLLED STEEL		REF
		.XXXX	±.0005	MAT'L.		FMF
NO.	REVISION	BY & DATE	CHK	ANG	FINISH	PREV
			RFP	ANG	FINISH	
THIS DRAWING IN DESIGN AND DETAIL IS OUR PROPERTY AND MUST NOT BE USED EXCEPT IN CONNECTION WITH OUR WORK ALL RIGHTS OF DESIGN AND INVENTION ARE RESERVED THIS IS AN ELECTRONICALLY GENERATED DOCUMENT - DO NOT SCALE THIS PRINT			RFP	ANG	FINISH	
			DIST	ANG	FINISH	
				CAD FILE	SS620614	SIZE
						DRAWING NO.
						B
						SS620614
						REV.

