

PRODUCT INFORMATION PACKET



Model No: CPE65
Catalog No: CPE65

50 HP Close-Coupled Pump Motor, 3 phase, 1800 RPM, 208-230/460 V, 326JP Frame, TEFC
JP Motors



Regal and Century are trademarks of Regal Beloit Corporation or one of its affiliated companies.
©2019 Regal Beloit Corporation, All Rights Reserved. MC017097E

The REGAL logo is a grey rectangular box with the word 'REGAL' in white, bold, uppercase letters. The box is tilted slightly to the right. The background of the page features a vertical blue gradient with a halftone dot pattern on the right side.

REGAL



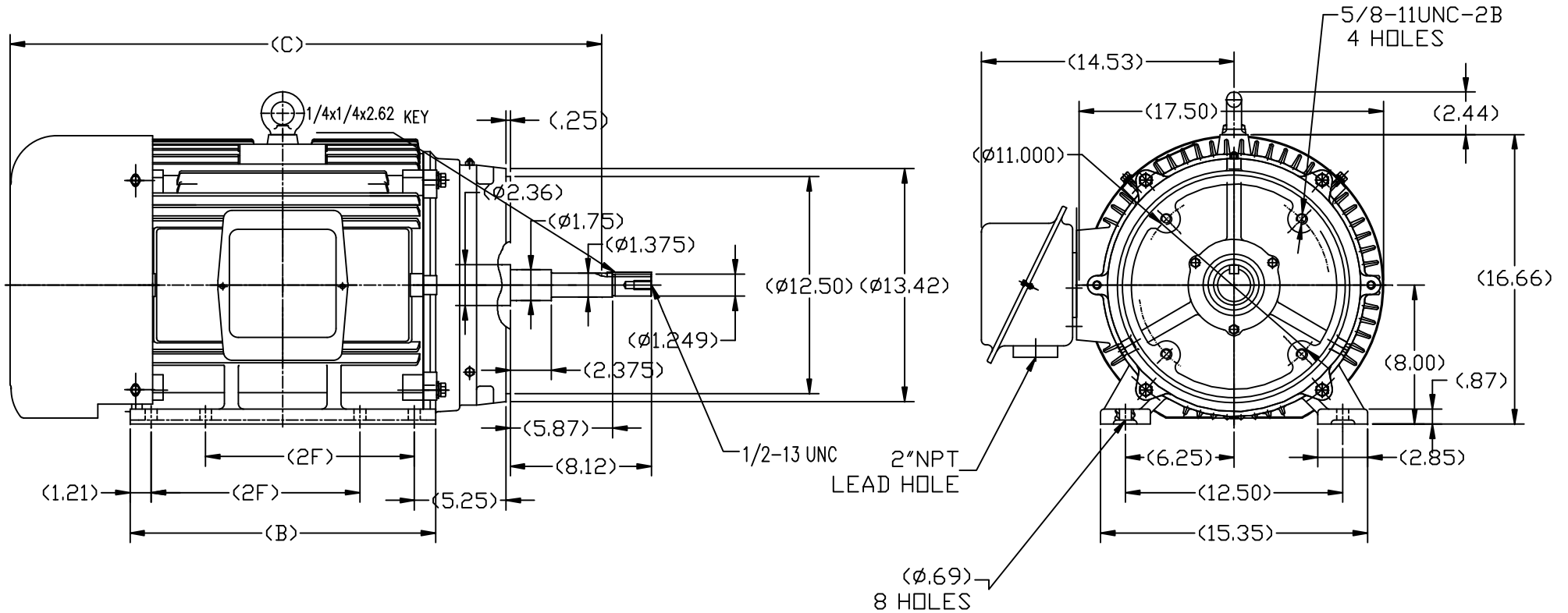
Nameplate Specifications

Output HP	50 Hp	Output KW	37.3 kW
Frequency	60 Hz	Voltage	208-230/460 V
Current	59 A	Speed	1785 rpm
Service Factor	1.15	Phase	3
Duty	Continuous	Insulation Class	F
Frame	326JP	Enclosure	Totally Enclosed Fan Cooled
Thermal Protection	None	Ambient Temperature	40 °C
UL	Recognized	CSA	Y
CE	Y		

Technical Specifications

Electrical Type	POLYPHASE	Starting Method	Across The Line
Poles	4	Rotation	Reversible
Mounting	Rigid Base	Drive End Bearing	Ball
Opp Drive End Bearing	Ball	Frame Material	Cast Iron
Shaft Type	Keyed	Overall Length	36.99 in
Frame Length	16.14 in	Shaft Diameter	1.75 in
Shaft Extension	8.12 in		

This is an uncontrolled document once printed or downloaded and is subject to change without notice. Date Created:30/10/2019

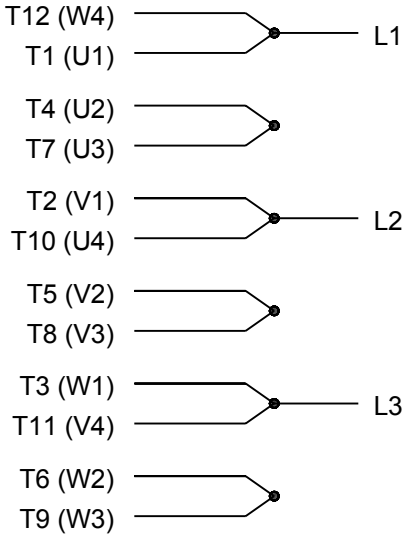


324T	35.81	16.38	10.50
326T	36.99	17.56	12.00
FRAME	C	B	2F

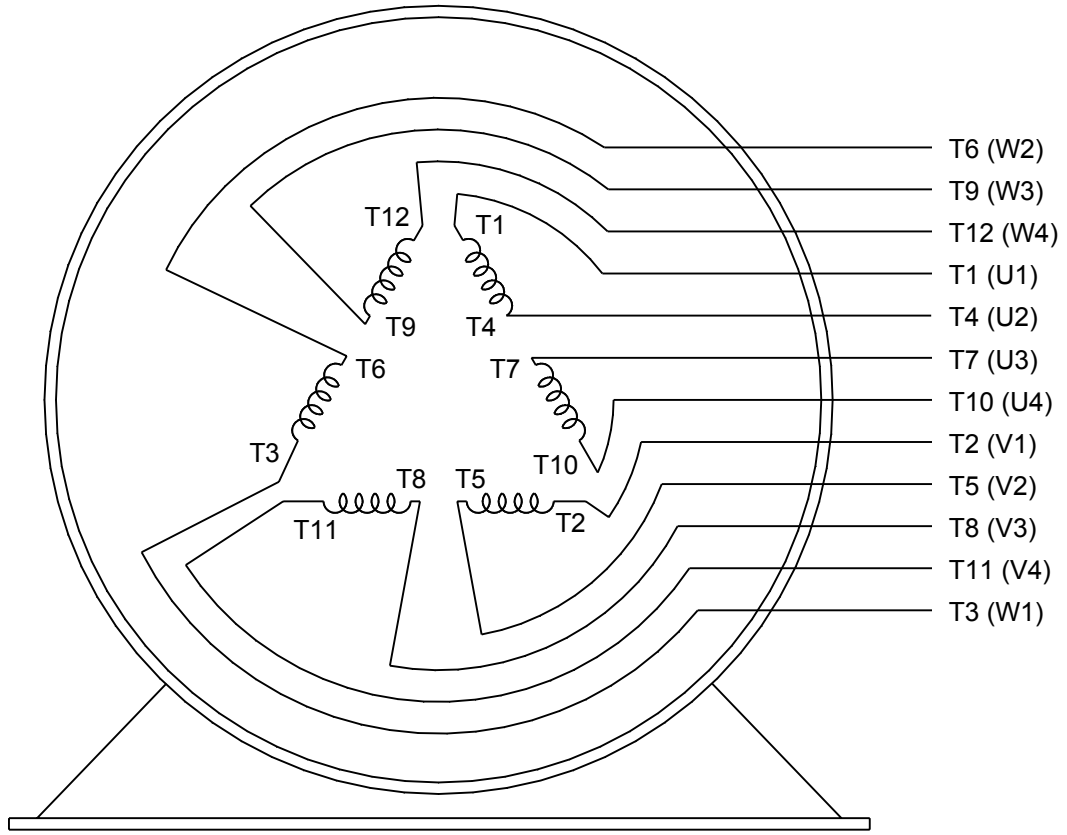
		TOLERANCES UNLESS SPECIFIED				DRAWN VY 05-23-2012	
		DEC.	INCHES			CHK ZYH 05-23-2012	
		.X	±.1	TITLE		SCALE 1=7	
		.XX	±.03	OUTLINE		REF	
		.XXX	±.005	TEFC-324/326JP FR-CAST IRON		FMF HWADA	
		.XXXX	±.0005	MAT'L.		PREV	
NO.	REVISION	BY & DATE	CHK	ANG	±1/2	FINISH	
THIS DRAWING IN DESIGN AND DETAIL IS OUR PROPERTY AND MUST NOT BE USED EXCEPT IN CONNECTION WITH OUR WORK ALL RIGHTS OF DESIGN AND INVENTION ARE RESERVED THIS IS AN ELECTRONICALLY GENERATED DOCUMENT - DO NOT SCALE THIS PRINT				RFP	CAD FILE	SS620569	SIZE B
				DIST			DRAWING NO. SS620569
							REV.



LOW VOLTAGE

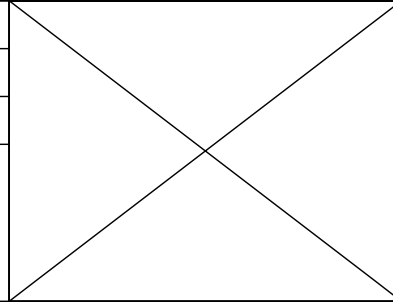


HIGH VOLTAGE



VIEW OF TERMINAL END

DRAWING REVISION K	REVISION BY AJW	DATE 07-17-2015
ECO ECO-0081632	APPROVED BY T. VUE	DATE 07-17-2015
ECO DESCRIPTION REV'D IEC MARKINGS PER IEC 60034-8		
<small>COPYRIGHT REGAL BELOIT AMERICA, INC. ALL RIGHTS RESERVED. PROPRIETARY AND CONFIDENTIAL INFORMATION - THIS DOCUMENT IS THE PROPERTY OF REGAL BELOIT AMERICA, INC. ("OWNER") AND CONTAINS OWNER'S PROPRIETARY INFORMATION. ANY PERSON, CORPORATION OR OTHER FIRM RECEIVING IT IS DEEMED, BY RECEIVING IT, TO AGREE THAT IT, AND/OR ANY PART OF IT, SHALL NOT BE DISCLOSED TO ANY PERSON, CORPORATION OR OTHER ENTITY, DUPLICATED, AND/OR USED, EXCEPT AS EXPRESSLY APPROVED IN WRITING IN ADVANCE BY OWNER. THIS DOCUMENT SHALL BE RETURNED TO OWNER UPON REQUEST. IT MAY BE SUBJECT TO CERTAIN RESTRICTIONS UNDER APPLICABLE EXPORT CONTROL LAWS AND REGULATIONS.</small>		



DRAWN BY LZ
DATE 01-12-1994
APPROVED BY GK
DATE 01-14-1994
REFERENCE
THIRD ANGLE PROJECTION

Regal Beloit America, Inc.	
DESCRIPTION CONN DIAGRAM-EXTERNAL 3Ø-2/1 DELTA-12 LEADS	
MATERIAL	PROCESS/FINISH
SIZE A	DRAWING NUMBER EE7308AA
SHEET 1 OF 1	