

PRODUCT INFORMATION PACKET



Model No: CPE22

Catalog No: CPE22

3 HP Close-Coupled Pump Motor, 3 phase, 1800 RPM, 208-230/460 V, 182JM Frame, TEFC
JM Motors



Regal and Century are trademarks of Regal Beloit Corporation or one of its affiliated companies.

©2019 Regal Beloit Corporation, All Rights Reserved. MC017097E

REGAL



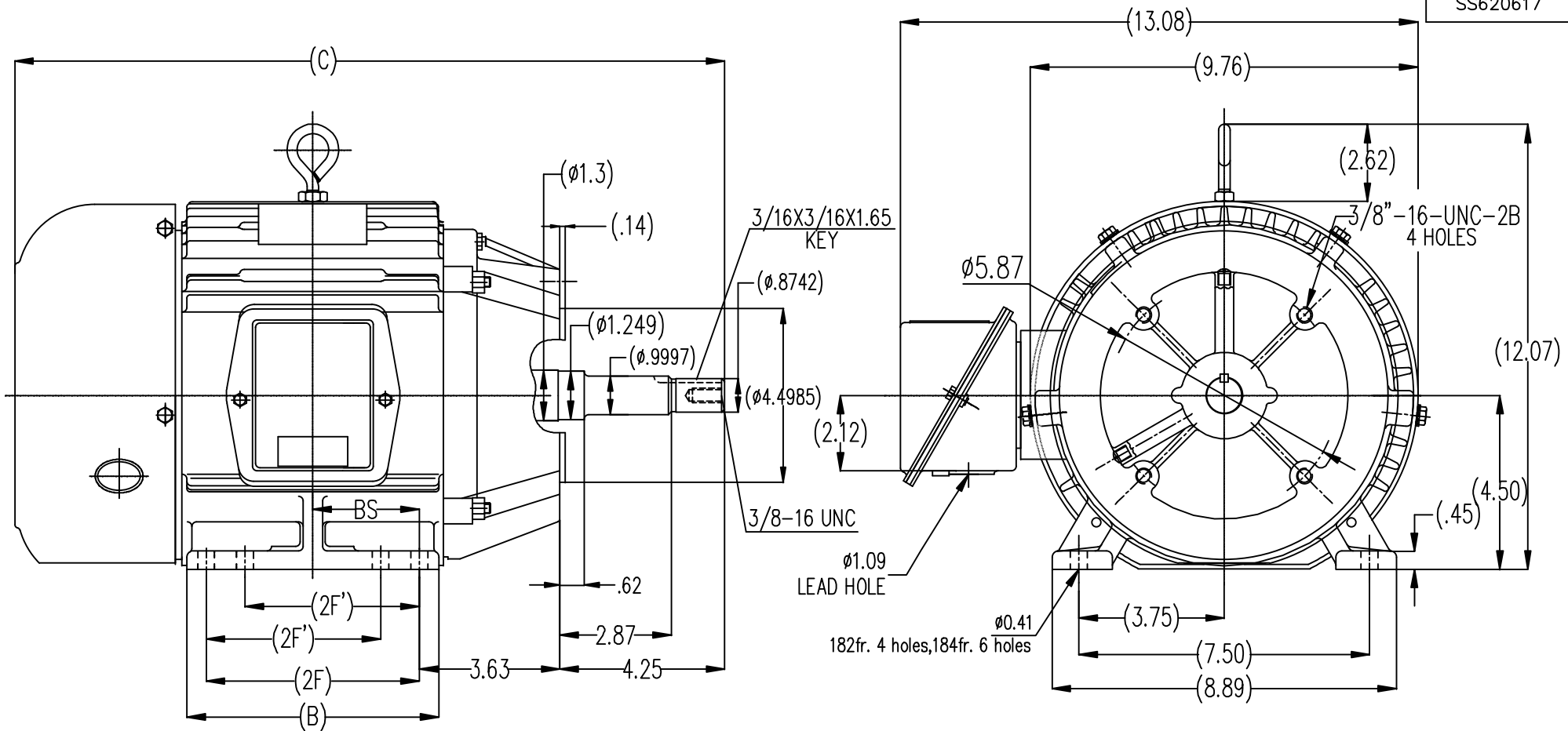
Nameplate Specifications

Output HP	3 Hp	Output KW	2.2 kW
Frequency	60 Hz	Voltage	208-230/460 V
Current	8.4-7.6/3.8 A	Speed	1762 rpm
Service Factor	1.15	Phase	3
Duty	Continuous	Insulation Class	F
Frame	182JM	Enclosure	Totally Enclosed Fan Cooled
Thermal Protection	None	Ambient Temperature	40 °C
UL	Recognized	CSA	Y
CE	Y		

Technical Specifications

Electrical Type	POLYPHASE	Starting Method	Across The Line
Poles	4	Rotation	Reversible
Mounting	Rigid Base	Drive End Bearing	Ball
Opp Drive End Bearing	Ball	Frame Material	Cast Iron
Shaft Type	Keyed	Overall Length	17.53 in
Frame Length	5.74 in	Shaft Diameter	1.249 in
Shaft Extension	4.25 in		

This is an uncontrolled document once printed or downloaded and is subject to change without notice. Date Created:30/10/2019



182T	17.53	5.50	4.50	/	2.25
184T	18.52	6.55	5.50	4.50	2.75
FRAME	C	B	2F	2F'	BS

TOLERANCES UNLESS SPECIFIED		REGAL REGAL-BELOIT CORPORATION		DRAWN PJ 7-25-2012	
DEC.	INCHES	TITLE		CHK	APPD
.X	±.1	OUTLINE			
.XX	±.03	182/184JM FR TEFC-CAST IRON		SCALE	1=2.5
.XXX	±.005	MATT'L.		REF	
.XXXX	±.0005	FINISH		FMF	HWADA
NO.	REVISION	BY & DATE	CHK	ANG	±1/2°
THIS DRAWING IN DESIGN AND DETAIL IS OUR PROPERTY AND MUST NOT BE USED EXCEPT IN CONNECTION WITH OUR WORK ALL RIGHTS OF DESIGN AND INVENTION ARE RESERVED THIS IS AN ELECTRONICALLY GENERATED DOCUMENT - DO NOT SCALE THIS PRINT			RFP	CAD FILE	SS620617
			DIST	SIZE	B
			DRAWING NO.		SS620617
			REV.		

