

PRODUCT INFORMATION PACKET



Model No: CF117

Catalog No: CF117

10 HP General Purpose Motor, 3 phase, 1200 RPM, 208-230/460 V, 256TC Frame, TEFC
Three Phase TEFC Motors



Regal and Century are trademarks of Regal Beloit Corporation or one of its affiliated companies.
©2019 Regal Beloit Corporation, All Rights Reserved. MC017097E

REGAL



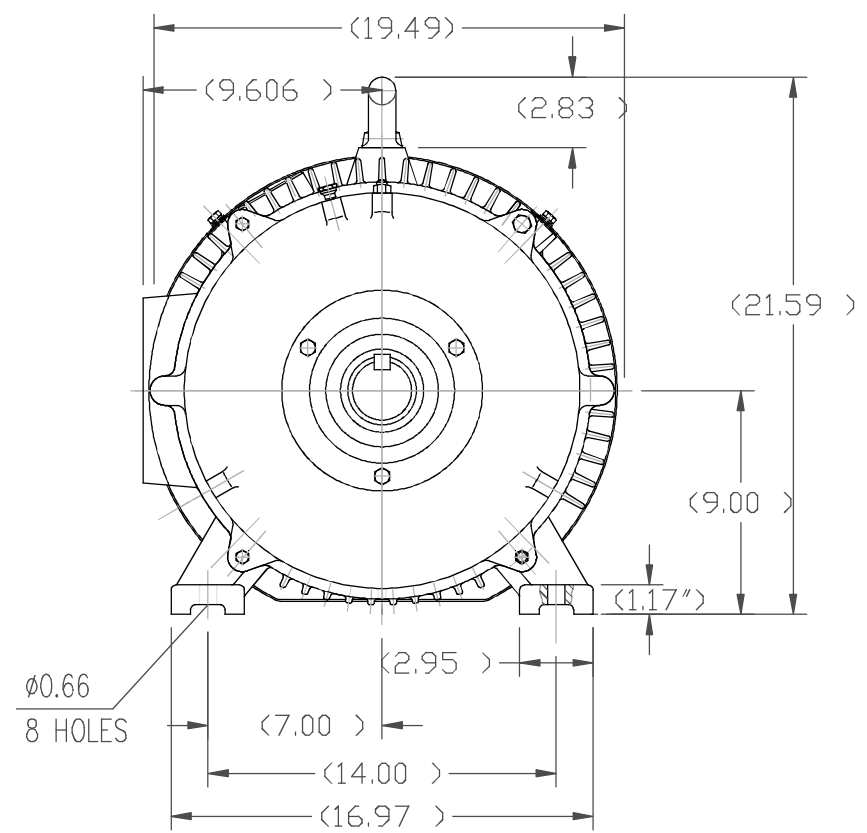
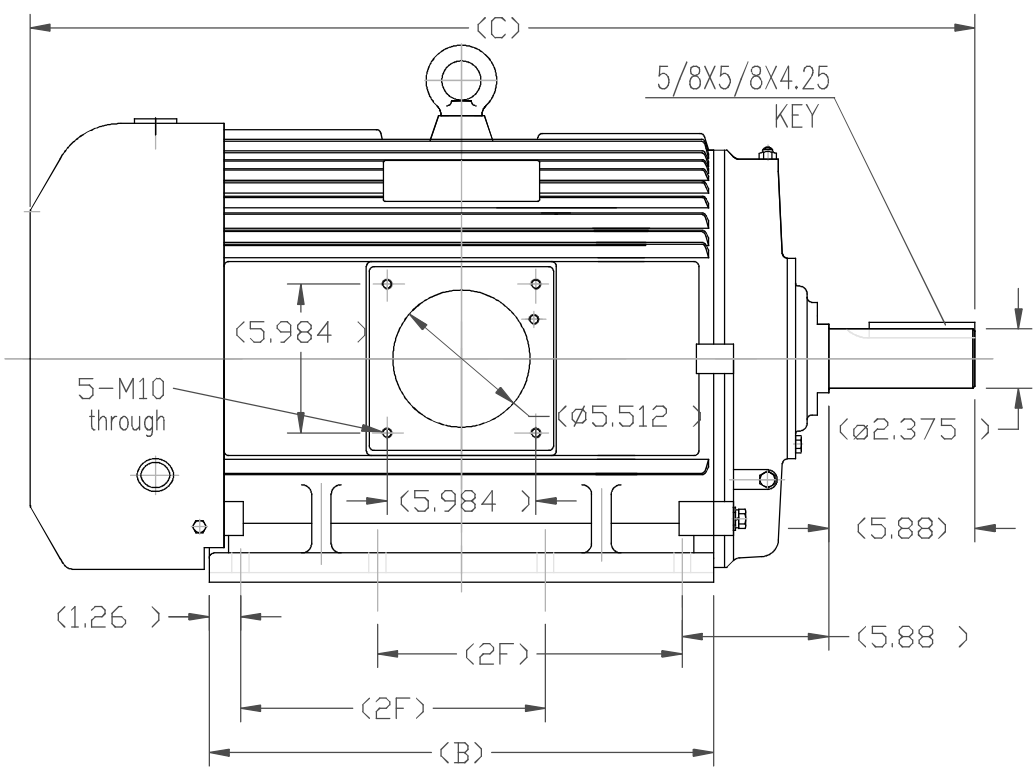
Nameplate Specifications

Output HP	10 Hp	Output KW	7.5 kW
Frequency	60 Hz	Voltage	208-230/460 V
Current	28/14 A	Speed	1180 rpm
Service Factor	1.15	Phase	3
Duty	Continuous	Insulation Class	F
Frame	256TC	Enclosure	Totally Enclosed Fan Cooled
Thermal Protection	None	Ambient Temperature	40 °C
UL	Recognized	CSA	Y
CE	Y		

Technical Specifications

Electrical Type	POLYPHASE	Starting Method	Across The Line
Poles	6	Rotation	Reversible
Mounting	Round	Drive End Bearing	Ball
Opp Drive End Bearing	Ball	Frame Material	Rolled Steel
Shaft Type	Keyed	Overall Length	27.76 in
Frame Length	12.08 in	Shaft Diameter	1.625 in
Shaft Extension	4.00 in		

This is an uncontrolled document once printed or downloaded and is subject to change without notice. Date Created:30/10/2019



364T	36.22	18.5	11.25
365T	37.99	20.28	12.25
FRAME	C	B	2F

				TOLERANCES UNLESS SPECIFIED				DRAWN ZYH 10-24-2012			
				DEC.	INCHES			CHK	APPD		
				X	±1	TITLE		SCALE	1=5		
				.XX	±.03	OUTLINE 364/365T FR		REF			
				.XXX	±.005	TEFC-CAST IRON-NO CONDUIT BOX		FMF	HWADA		
				.XXXX	±.0005	MAT'L.		PREV			
NO.	REVISION	BY & DATE	CHK	ANG	±1/2	FINISH	CAD FILE	SS620632	SIZE	DRAWING NO.	REV.
THIS DRAWING IN DESIGN AND DETAIL IS OUR PROPERTY AND MUST NOT BE USED EXCEPT IN CONNECTION WITH OUR WORK ALL RIGHTS OF DESIGN AND INVENTION ARE RESERVED THIS IS AN ELECTRONICALLY GENERATED DOCUMENT - DO NOT SCALE THIS PRINT											
							B	SS620632			

LOW VOLTAGE



HIGH VOLTAGE



VIEW OF TERMINAL END

				TOLERANCES UNLESS SPECIFIED		REGAL REGAL-BELOIT CORPORATION	DRAWN PGK 06-04-1997		
NO.	REVISION	BY & DATE	CHK	ANG	±		UNIT	CHK	ML 06-05-1997
E	CORRECTED IEC MARKINGS ECD-0111208	WGJ 01-23-2017	EMH	DEC.					
D	RE-DRAWN WITH REGAL LOGO ECD-0110493	WGJ 09-30-2016	EMH	.X	±.1			APPD GK 06-15-1997	
8	ADDED IEC DESIGNATIONS MU95020	TJW 4/30/2010	MJS	.XX	±.02	TITLE	CONNECTION DIAGRAM		
7	REVISED HIGH VOLTAGE L2 WAS L3 CN52600-354	MRB 09-21-1998		.XXX	±.005		DELTA CON. - 3Ø - 9 LEADS		
6	REDRAWN ON CADD	PGK 06-05-1997		.XXXX	±.0005	MAT'L.	REF		
					±7'30"	FINISH	PREV		
THIS DRAWING IN DESIGN AND DETAIL IS OUR PROPERTY AND MUST NOT BE USED EXCEPT IN CONNECTION WITH OUR WORK ALL RIGHTS OF DESIGN AND INVENTION ARE RESERVED THIS IS AN ELECTRONICALLY GENERATED DOCUMENT - DO NOT SCALE THIS PRINT						RFP	CAD FILE EE7308K		
						DIST	SIZE	DRAWING NO. PAGE OF	REV.
							A	EE7308K	E