

PRODUCT INFORMATION PACKET



Model No: CF101
Catalog No: CF101
1 HP General Purpose Motor, 3 phase, 1800 RPM, 230/460 V, 143TC Frame, TEFC
Three Phase TEFC Motors



Regal and Century are trademarks of Regal Beloit Corporation or one of its affiliated companies.
©2019 Regal Beloit Corporation, All Rights Reserved. MC017097E

The REGAL logo consists of the word 'REGAL' in a bold, white, sans-serif font, set against a dark grey rectangular background with a slight shadow effect.

REGAL



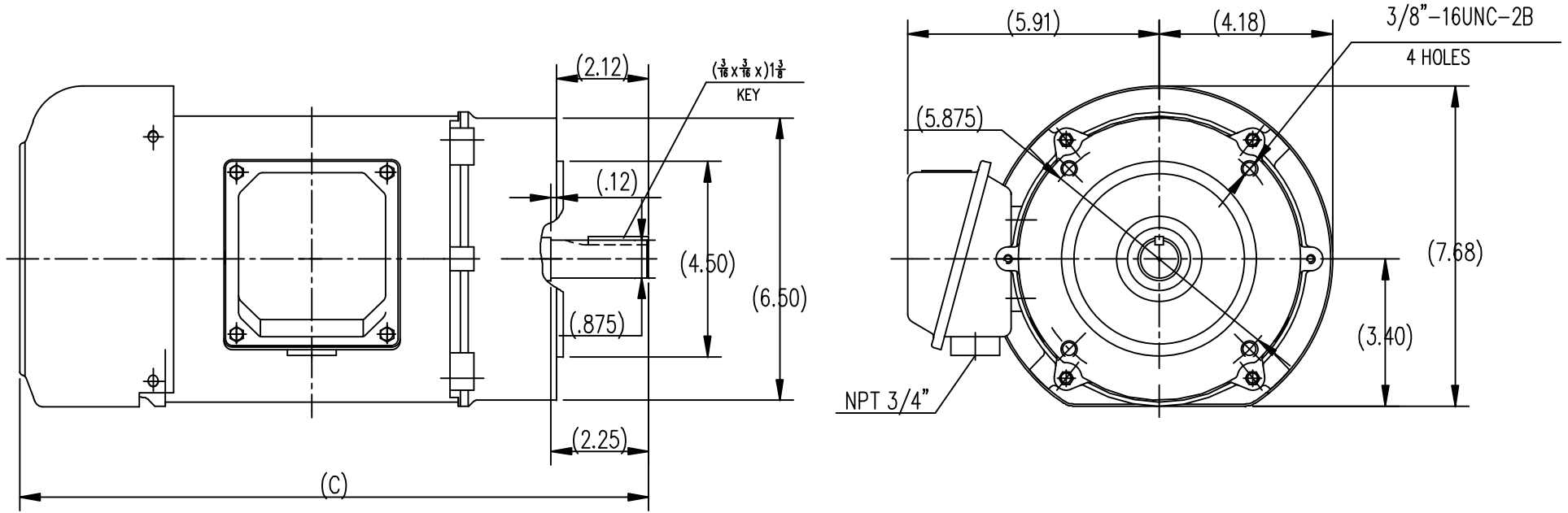
Nameplate Specifications

Output HP	1 Hp	Output KW	0.75 kW
Frequency	60 Hz	Voltage	230/460 V
Current	2.7/1.4 A	Speed	1748 rpm
Service Factor	1.15	Phase	3
Duty	Continuous	Insulation Class	F
Frame	143TC	Enclosure	Totally Enclosed Fan Cooled
Thermal Protection	None	Ambient Temperature	40 °C
UL	Recognized	CSA	Y
CE	Y		

Technical Specifications

Electrical Type	POLYPHASE	Starting Method	Across The Line
Poles	4	Rotation	Reversible
Mounting	Round	Drive End Bearing	Ball
Opp Drive End Bearing	Ball	Frame Material	Rolled Steel
Shaft Type	Keyed	Overall Length	13.70 in
Frame Length	6.83 in	Shaft Diameter	0.875 in
Shaft Extension	2.12 in		

This is an uncontrolled document once printed or downloaded and is subject to change without notice. Date Created:30/10/2019



TYPE	C
TEFC 143T	13.7
TEFC 145T	14.7

		TOLERANCES UNLESS SPECIFIED		REGAL REGAL BELOIT CORPORATION		DRAWN
		DEC.	INCHES			WY 7.17.2012
		.X	±.1			CHK
		.XX	±.03	TITLE		ZYH 7.17.2012
		.XXX	±.005	143/145TC-TEFC-C'FACE-ROUND		APPD
		.XXXX	±.0005	MAT'L		WGH 7.17.2012
NO.	REVISION	BY & DATE	CHK	ANG	FINISH	SCALE
				±1/2		REF
THIS DRAWING IN DESIGN AND DETAIL IS OUR PROPERTY AND MUST NOT BE USED EXCEPT IN CONNECTION WITH OUR WORK ALL RIGHTS OF DESIGN AND INVENTION ARE RESERVED THIS IS AN ELECTRONICALLY GENERATED DOCUMENT - DO NOT SCALE THIS PRINT			RFP	CAD FILE	SS620602	FMF
			DIST	SIZE	B	PREV
				DRAWING NO.	SS620602	REV.

