

PRODUCT INFORMATION PACKET



Model No: C926V1
Catalog No: C926V1

1 HP General Purpose Motor, 1 phase, 1800 RPM, 115/208-230 V, 56C Frame, TEFC
Single Phase TEFC Motors



Regal and Century are trademarks of Regal Beloit Corporation or one of its affiliated companies.
©2019 Regal Beloit Corporation, All Rights Reserved. MC017097E

The REGAL logo is a grey rectangular box with the word 'REGAL' in white, bold, sans-serif capital letters. It is positioned on a blue, textured background that tapers towards the right side of the page.

REGAL



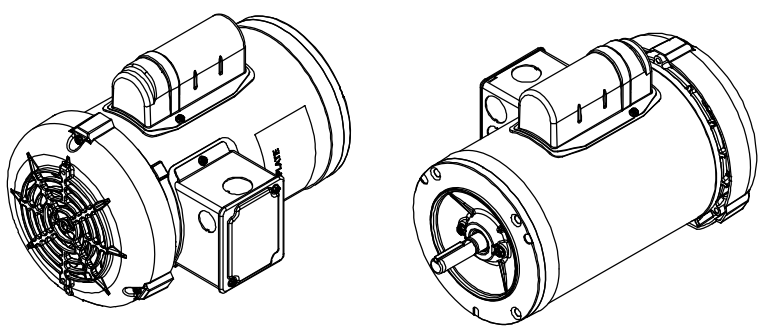
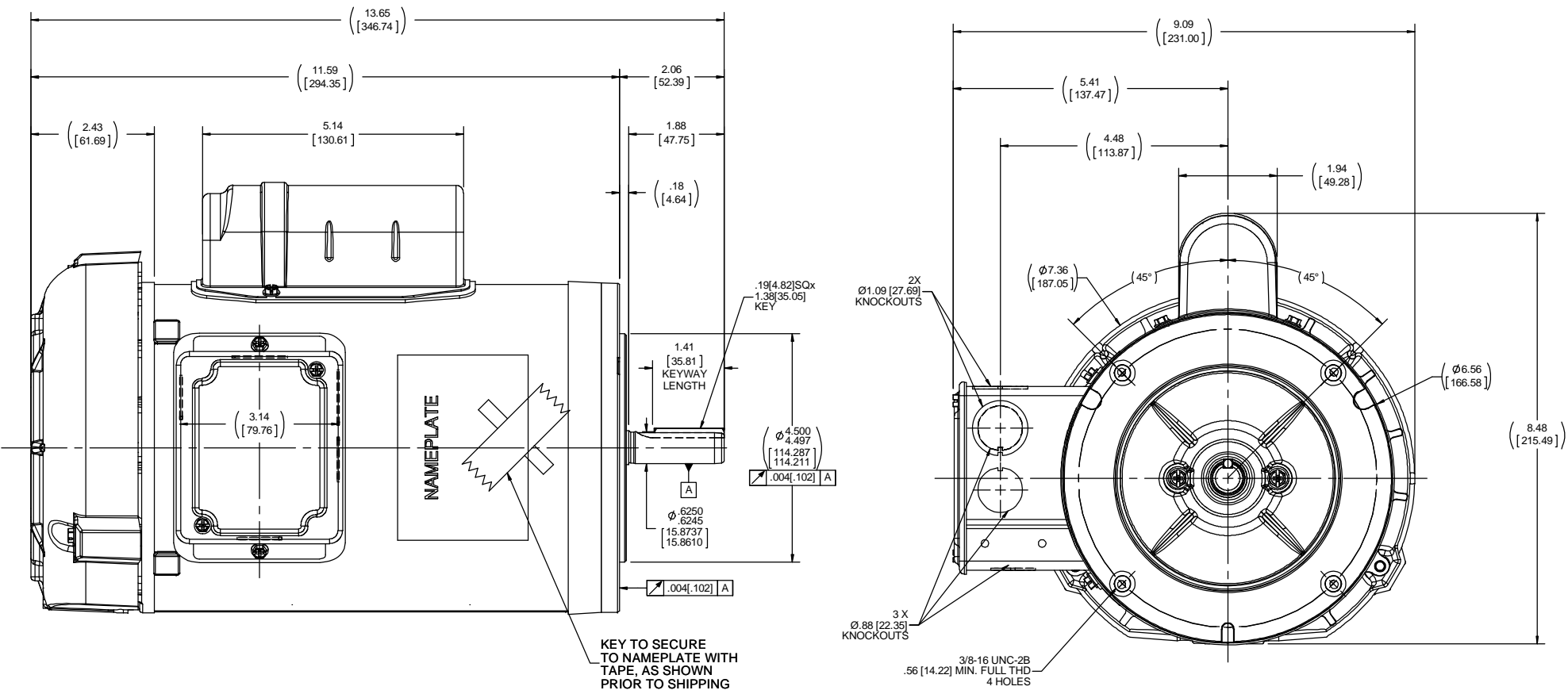
Nameplate Specifications

Output HP	1 Hp	Output KW	0.75 kW
Frequency	60 Hz	Voltage	115/208-230 V
Current	12.2/6.2-6.1 A	Speed	1725 rpm
Service Factor	1.15	Phase	1
Duty	Continuous	Insulation Class	F
Frame	56C	Enclosure	Totally Enclosed Fan Cooled
Thermal Protection	None	Ambient Temperature	40 °C
UL	Recognized	CSA	Y
CE	Y		

Technical Specifications

Electrical Type	Capacitor Start Induction Run	Starting Method	Across The Line
Poles	4	Rotation	Selective Counterclockwise
Mounting	Round	Drive End Bearing	Ball
Opp Drive End Bearing	Ball	Frame Material	Rolled Steel
Shaft Type	NEMA 56	Overall Length	13.65 in
Frame Length	8.15 in	Shaft Diameter	0.625 in
Shaft Extension	1.88 in		

This is an uncontrolled document once printed or downloaded and is subject to change without notice. Date Created:30/10/2019



DRAWING REVISION B	REVISION BY A. SUPPANAVAR	DATE 05/09/2018	TOLERANCES UNLESS OTHERWISE SPECIFIED: DEC. INCH mm ANGLE .X ±0.1 [±2.5] ±0.5° .XX ±0.02 [±0.51] .XXX ±0.005 [±0.127] .XXXX ±0.0005 [±0.0127] REMOVE BURRS & BREAK SHARP EDGES: .003/.015 [076/381] X 45° CORNER FILLETS: 1. R. 02 [51] MACHINED SURFACES: 125/ 3.2/ INCH/ mm SHOWN IN (BRACKETS) m/v	DRAWN BY A. SUPPANAVAR	REGAL™ Regal Beloit America, Inc.
ECO-0144723	APPROVED BY SM	DATE 05/09/2018	APPROVED BY SM	DATE 05/09/2018	DESCRIPTION OUTLINE 56H FR, TEFC, C-FACE, ROUND
ISOMETRIC VIEW CHANGE.			REFERENCE OLME180503		
THIRD ANGLE PROJECTION			MATERIAL		
SIZE C			DRAWING NUMBER OL56100461-001		
SHEET 1 OF 1			SHEET 1 OF 1		