

PRODUCT INFORMATION PACKET



Model No: C907V1
Catalog No: C907V1

.5 HP General Purpose Motor, 1 phase, 1800 RPM, 115/208-230 V, 56C Frame, TEFC
Single Phase TEFC Motors



Regal and Century are trademarks of Regal Beloit Corporation or one of its affiliated companies.
©2019 Regal Beloit Corporation, All Rights Reserved. MC017097E

The REGAL logo consists of the word 'REGAL' in a bold, white, sans-serif font, set against a dark gray, trapezoidal background with a slight shadow effect.

REGAL



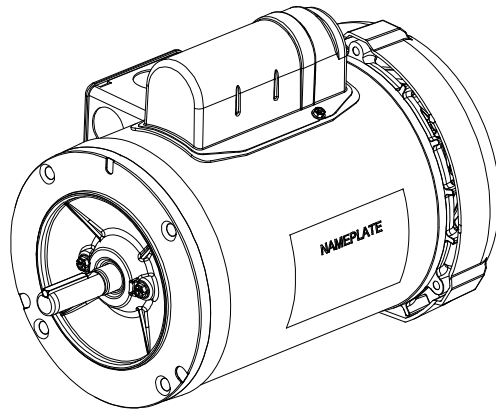
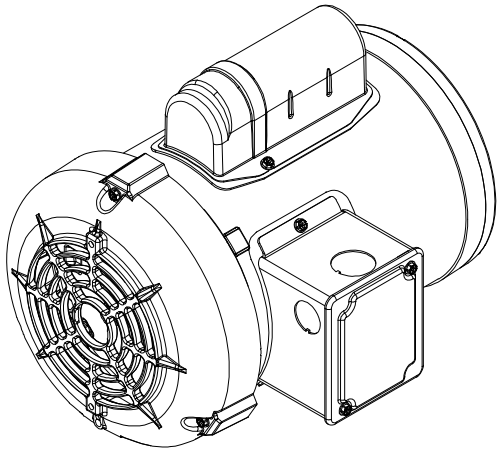
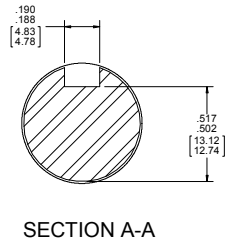
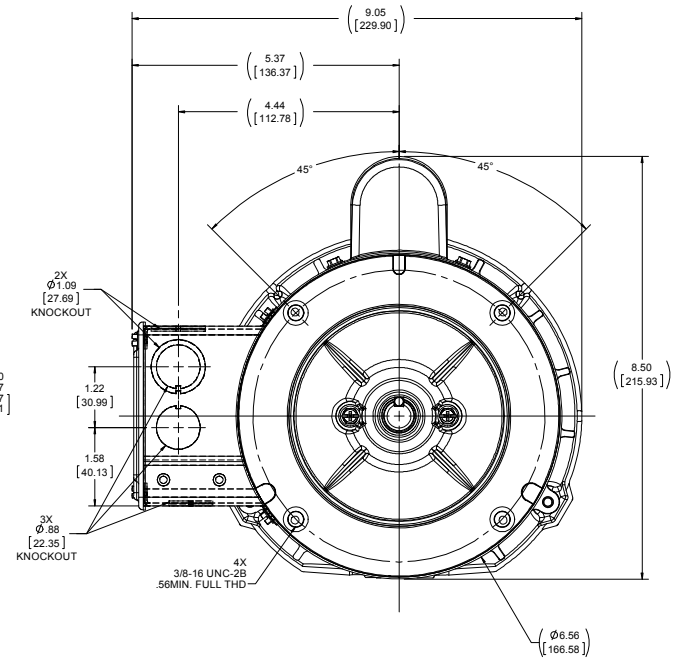
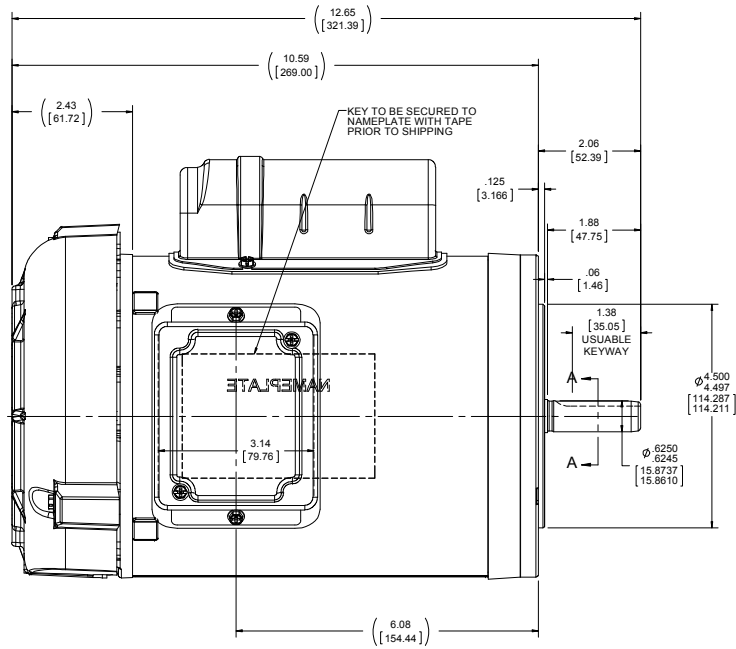
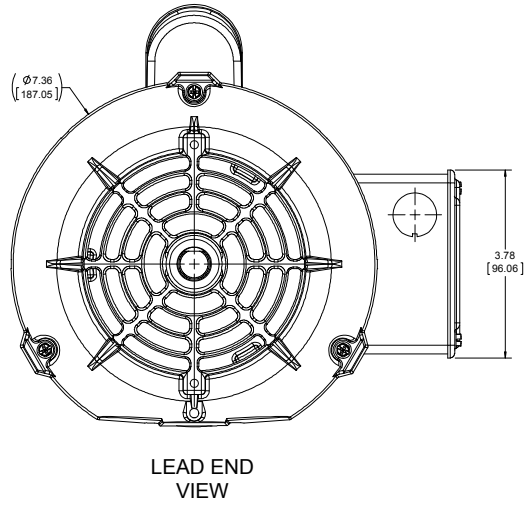
Nameplate Specifications

Output HP	.5 Hp	Output KW	0.37 kW
Frequency	60 Hz	Voltage	115/208-230 V
Current	7/3.5-3.5 A	Speed	1725 rpm
Service Factor	1.15	Phase	1
Duty	Continuous	Insulation Class	B
Frame	56C	Enclosure	Totally Enclosed Fan Cooled
Thermal Protection	No	Ambient Temperature	40 °C
UL	Recognized	CSA	Y
CE	Y		

Technical Specifications

Electrical Type	Capacitor Start Induction Run	Starting Method	Across The Line
Poles	4	Rotation	Selective Counterclockwise
Mounting	Round	Drive End Bearing	Ball
Opp Drive End Bearing	Ball	Frame Material	Rolled Steel
Shaft Type	NEMA 56	Overall Length	12.15 in
Frame Length	7.15 in	Shaft Diameter	0.625 in
Shaft Extension	1.88 in		

This is an uncontrolled document once printed or downloaded and is subject to change without notice. Date Created:30/10/2019



DRAWING REVISION	REVISION BY	DATE	TOLERANCES UNLESS OTHERWISE SPECIFIED:	DRAWN BY	DATE	DESCRIPTION
B	PVR	08-12-19	ASG .003	AS	04-16-2018	Regal Beloit America, Inc.
ECO-0177984	PVR	08-12-19	X .001 .003	PVR	04-16-2018	
ECO-0177984	PVR	08-12-19	XXX .0005 .003	PVR	04-16-2018	OUTLINE
REGAL BELLOIT AMERICA, INC. CONTAINS AND COVERS TRADE INFORMATION AND PROPRIETARY AND PATENTED INFORMATION AND IS NOT TO BE REPRODUCED OR TRANSMITTED IN ANY FORM OR BY ANY MEANS, ELECTRONIC, MECHANICAL, PHOTOCOPYING, RECORDING, OR BY ANY INFORMATION STORAGE AND RETRIEVAL SYSTEM. ANY UNAUTHORIZED REPRODUCTION OR TRANSMISSION IS STRICTLY PROHIBITED. THIS DRAWING IS THE PROPERTY OF REGAL BELLOIT AMERICA, INC. AND IS TO BE USED ONLY FOR THE PURPOSES SPECIFIED HEREON. IT IS NOT TO BE USED FOR ANY OTHER PURPOSE. ANY UNAUTHORIZED REPRODUCTION OR TRANSMISSION IS STRICTLY PROHIBITED.						
CHD FRAME LENGTH FROM 6.88 TO 7.15						
MATERIAL: 304 STAINLESS STEEL (S17063) 45° CORNER FILLETS: R.01(5) MACHINED SURFACES: 125 3/2 FINN SHOWN IN BRACKETS						
REFERENCE	SIZE	DRAWING NUMBER	PROCESS FINISH	SHEET 1 OF 1		
CL 20150309-001	D	OL56100335-001				