

PRODUCT INFORMATION PACKET



Model No: C858ES
Catalog No: C858ES
2.0 HP General Purpose Motor, 1 phase, 3600 RPM, 115/230 V, 56C Frame, ODP
Single Phase ODP Motors



Regal and Century are trademarks of Regal Beloit Corporation or one of its affiliated companies.
©2019 Regal Beloit Corporation, All Rights Reserved. MC017097E

The REGAL logo consists of the word 'REGAL' in a bold, white, sans-serif font, set against a dark grey, trapezoidal background with a slight shadow effect.

REGAL



Nameplate Specifications

Output HP	2.0 Hp	Output KW	1.5 kW
Frequency	60 Hz	Voltage	115/230 V
Current	8.9/17.8 A	Speed	3450 rpm
Service Factor	1.15	Phase	1
Duty	Continuous	Insulation Class	B
Frame	L56C	Enclosure	Drip Proof
Thermal Protection	Automatic	Ambient Temperature	40 °C
UL	Recognized	CSA	Y
CE	Y		

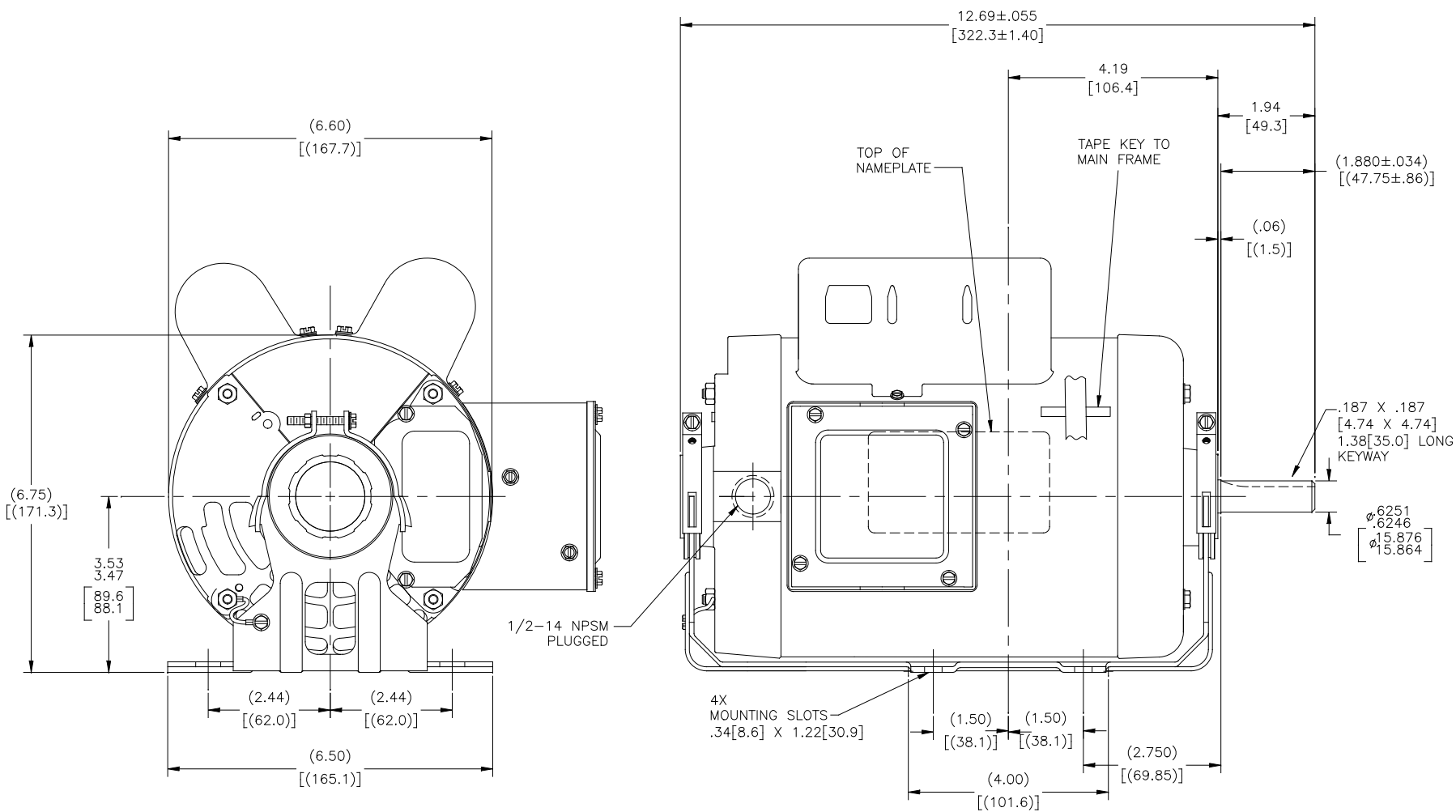
Technical Specifications

Electrical Type	Capacitor Start, Capacitor Run, Single Or Dual Voltage	Starting Method	Across The Line
Poles	2	Rotation	Reversible Counterclockwise
Mounting	Resilient Base	Drive End Bearing	Ball
Opp Drive End Bearing	Ball	Frame Material	Rolled Steel
Shaft Type	Keyed	Overall Length	12.69 in
Frame Length	6.75 in	Shaft Diameter	0.625 in
Shaft Extension	1.94 in		

This is an uncontrolled document once printed or downloaded and is subject to change without notice. Date Created:30/10/2019

NOTES:

1. ALL DIMENSIONS SHOWN IN PARENTHESIS ARE REFERENCE DIMENSIONS.



DRAWING REVISION		REVISION BY	DATE	TOLERANCES UNLESS OTHERWISE SPECIFIED		DRAWN BY: D.WENDLING		Regal Beloit America, Inc.	
A	ECO-0113927	APPROVED BY	DATE	DEC.	INCH	mm	ANGLE	DATE: 11-30-2016	DESCRIPTION: OUTLINE
	ECO DESCRIPTION			.XX	±0.01	[±2.5]	±0.5°	APPROVED BY: D.WENDLING	
				.XX	±0.02	[±0.51]		DATE: 11-30-2016	MATERIAL
				.XXX	±0.005	[±0.127]		REFERENCE	PROCESS/FINISH
<small>COPYRIGHT REGAL BELOIT AMERICA, INC. ALL RIGHTS RESERVED. PROPRIETARY AND CONFIDENTIAL INFORMATION - THIS DOCUMENT IS THE PROPERTY OF REGAL BELOIT AMERICA, INC. ("OWNER") AND CONTAINS OWNER'S PROPRIETARY INFORMATION. ANY PERSON, CORPORATION OR OTHER FIRM RECEIVING IT IS DEMAND, BY RECEIVING IT, TO AGREE THAT IT, AND/OR ANY PART OF IT, SHALL NOT BE DISCLOSED TO ANY PERSON, CORPORATION OR OTHER FIRM, SUPPLIED, AND/OR USED EXCEPT AS EXPRESSLY APPROVED IN WRITING BY OWNER. THIS DOCUMENT SHALL BE RETURNED TO OWNER UPON REQUEST. IT MAY BE SUBJECT TO CERTAIN RESTRICTIONS UNDER APPLICABLE EXPORT CONTROL LAWS AND REGULATIONS.</small>				REMOVE BURRS & BREAK SHARP EDGES .003/.015 [0.076/.381]		CORNER FILLETS .02 [0.51]		MACHINED SURFACES	
				MACHINED SURFACES		THIRD ANGLE PROJECTION		SIZE DWG NO C858ES SHEET 1	
				INCH/mm		mm SHOWN IN BRACKETS			