

PRODUCT INFORMATION PACKET



Model No: C852ES

Catalog No: C852ES

.75 HP General Purpose Motor, 1 phase, 1800 RPM, 115/230 & 115/230 V, 56 Frame, ODP
Single Phase ODP Motors



Regal and Century are trademarks of Regal Beloit Corporation or one of its affiliated companies.

©2019 Regal Beloit Corporation, All Rights Reserved. MC017097E

The REGAL logo is a stylized, italicized wordmark in a grey, blocky font, positioned on a dark grey rectangular background. It is located in the bottom right corner of the page, adjacent to a vertical blue decorative bar with a halftone pattern.

REGAL



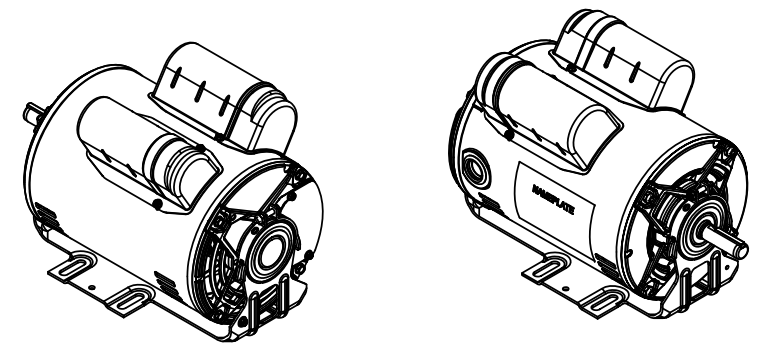
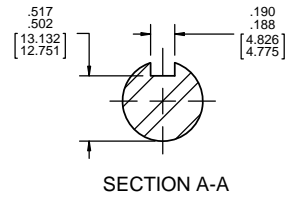
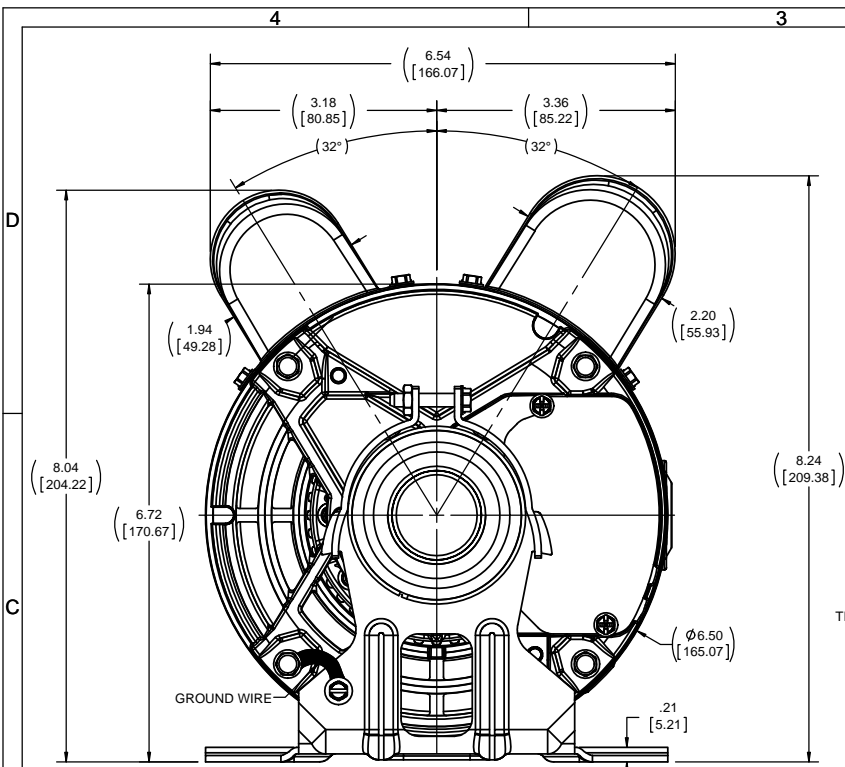
Nameplate Specifications

Output HP	.75 Hp	Output KW	0.56 kW
Frequency	60 Hz	Voltage	115/230 & 115/230 V
Current	6.6/3.3&7.8/3.9 A	Speed	1725&1425 rpm
Service Factor	1.25	Phase	1
Duty	Continuous	Insulation Class	B
Frame	56	Enclosure	Drip Proof
Thermal Protection	Thermally Protected	Ambient Temperature	40 °C
UL	Recognized	CSA	Y
CE	Y		

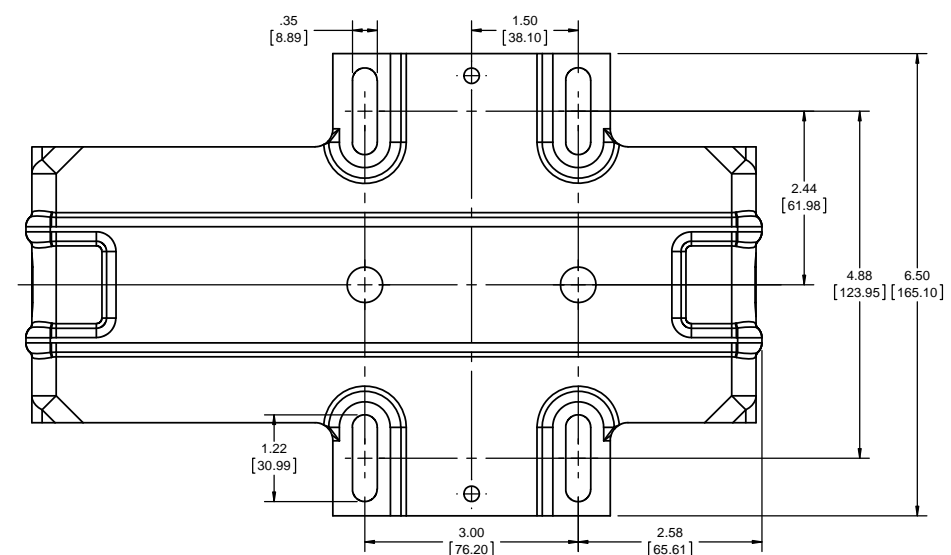
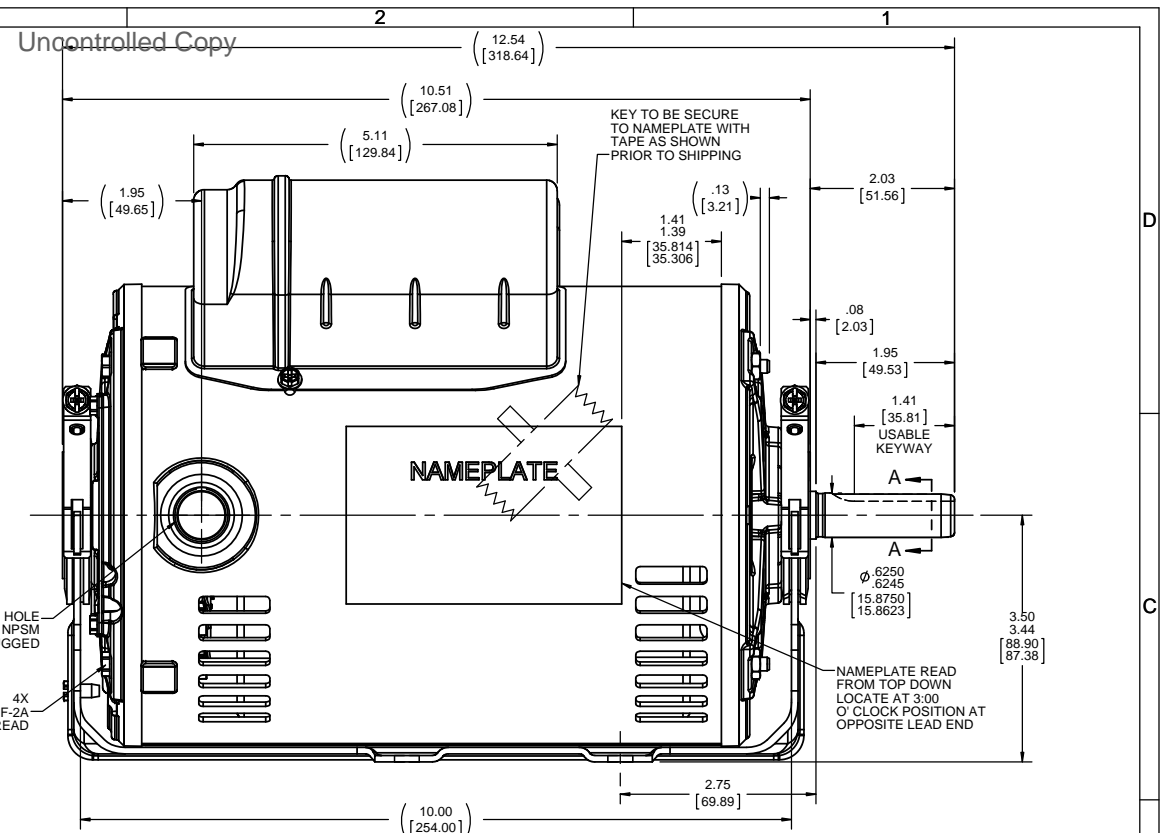
Technical Specifications

Electrical Type	Shaded Pole	Starting Method	Across The Line
Poles	4	Rotation	Selective Counterclockwise
Mounting	Resilient Base	Drive End Bearing	Ball
Opp Drive End Bearing	Ball	Frame Material	Rolled Steel
Shaft Type	NEMA 56	Overall Length	12.54 in
Frame Length	6.75 in	Shaft Diameter	0.625 in
Shaft Extension	1.88 in		

This is an uncontrolled document once printed or downloaded and is subject to change without notice. Date Created:30/10/2019



Uncontrolled Copy



DRAWING REVISION A	REVISION BY	DATE	TOLERANCES UNLESS OTHERWISE SPECIFIED: DEC. INCH mm ANGLE X ±0.1 [±2.5] 30.5° XX ±0.03 [±0.76] XXX ±0.005 [±0.127] .XXXX ±0.0005 [±0.0127]	DRAWN BY R.ZAMARRON	Regal Beloit America, Inc. DESCRIPTION OUTLINE 56FR, DP, 1-PHASE PROCESS/FINISH
ECO-0111800	APPROVED BY	DATE	REMOVE BURRS & BREAK SHARP EDGES: .003/.015 [0.076/.381] X 45° CORNER FILLETS: R.02 [51] MACHINED SURFACES: .125 / 32 INCH / mm V mm SHOWN IN [BRACKETS]	DATE 11-02-2016	
ECO DESCRIPTION NEW MODEL RELEASE	<small>COPYRIGHT REGAL BELOIT AMERICA, INC. ALL RIGHTS RESERVED. PROPRIETARY AND CONFIDENTIAL INFORMATION - THIS DOCUMENT IS THE PROPERTY OF REGAL BELOIT AMERICA, INC. FORMERLY AND CONTAINS OWNERS PROPRIETARY INFORMATION. ANY PERSON, CORPORATION OR OTHER FIRM RECEIVING IT IS DEEMED, BY RECEIVING IT, TO AGREE THAT IT, AND/OR ANY PART OF IT, SHALL NOT BE DISCLOSED TO ANY PERSON, CORPORATION OR OTHER ENTITY, DUPLICATED, AND/OR USED, EXCEPT AS EXPRESSLY APPROVED IN WRITING IN ADVANCE BY OWNER. THIS DOCUMENT SHALL BE RETURNED TO OWNER UPON REQUEST. IT MAY BE SUBJECT TO CERTAIN RESTRICTIONS UNDER APPLICABLE EXPORT CONTROL LAWS AND REGULATIONS.</small>		REFERENCE	DATE 11-02-2016	MATERIAL SIZE / DRAWING NUMBER OL56100180-001
			THIRD ANGLE PROJECTION	SHEET 1 OF 1	