

PRODUCT INFORMATION PACKET



Model No: C848ES
Catalog No: C848ES
3/4 HP General Purpose Motor, 1 phase, 3600 RPM, 115/230 V, 56 Frame, ODP
Single Phase ODP Motors



Regal and Century are trademarks of Regal Beloit Corporation or one of its affiliated companies.
©2019 Regal Beloit Corporation, All Rights Reserved. MC017097E

The REGAL logo consists of the word 'REGAL' in a bold, white, sans-serif font, set against a dark grey rectangular background with a slight shadow effect.

REGAL



Nameplate Specifications

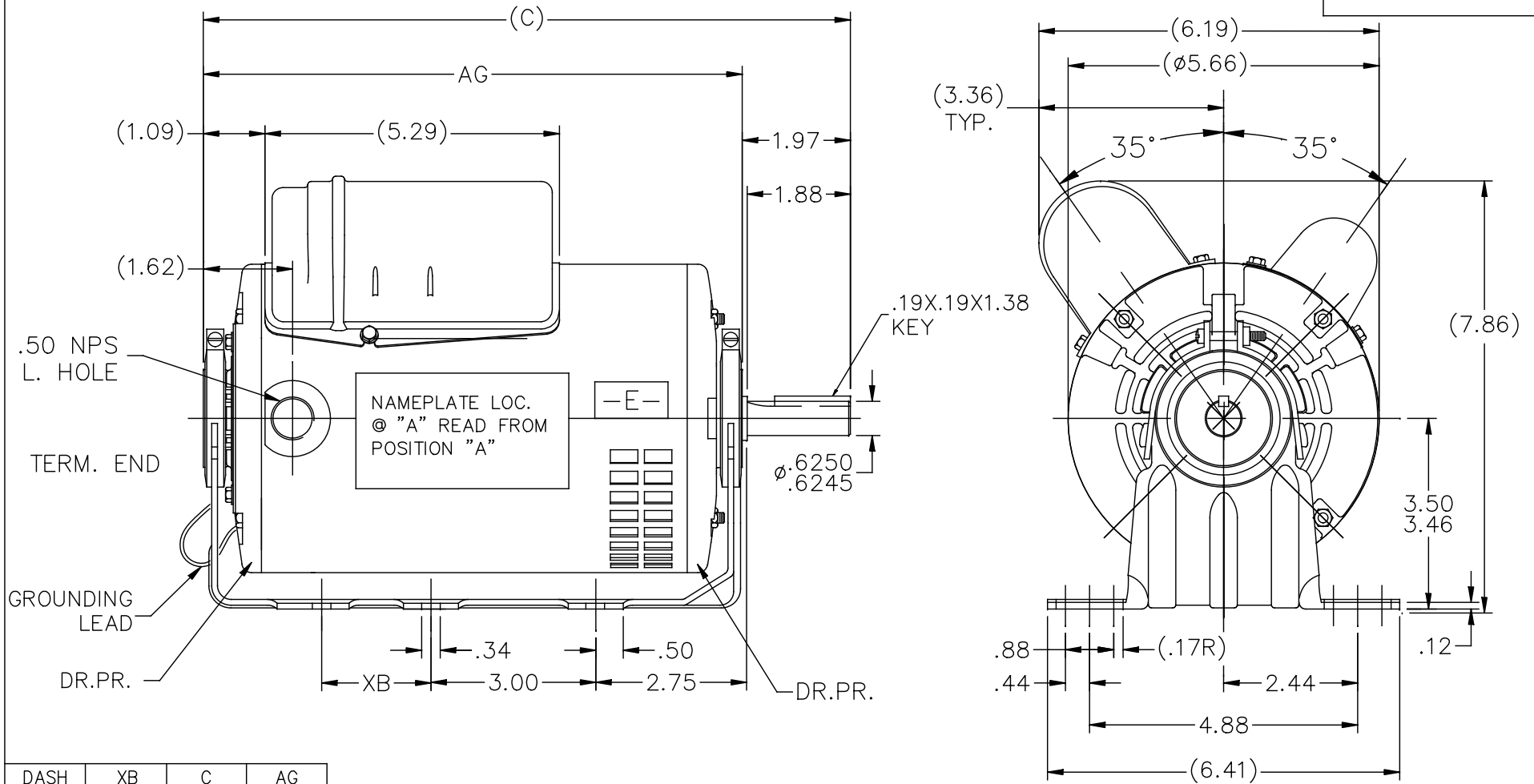
Output HP	3/4 Hp	Output KW	0.56 kW
Frequency	60 Hz	Voltage	115/230 V
Current	7.2/3.6 A	Speed	3450 rpm
Service Factor	1.25	Phase	1
Duty	Continuous	Insulation Class	B
Frame	56	Enclosure	Open Drip Proof
Thermal Protection	Automatic	Ambient Temperature	40 °C
UL	Recognized	CSA	Y
CE	Y		

Technical Specifications

Electrical Type	Shaded Pole	Starting Method	Across The Line
Poles	2	Rotation	Clockwise/Counterclockwise
Mounting	Resilient Base	Drive End Bearing	Ball
Opp Drive End Bearing	Ball	Frame Material	Rolled Steel
Shaft Type	Keyed	Overall Length	11.47 in
Frame Length	7.63 in	Shaft Diameter	0.625 in
Shaft Extension	1.97 in		

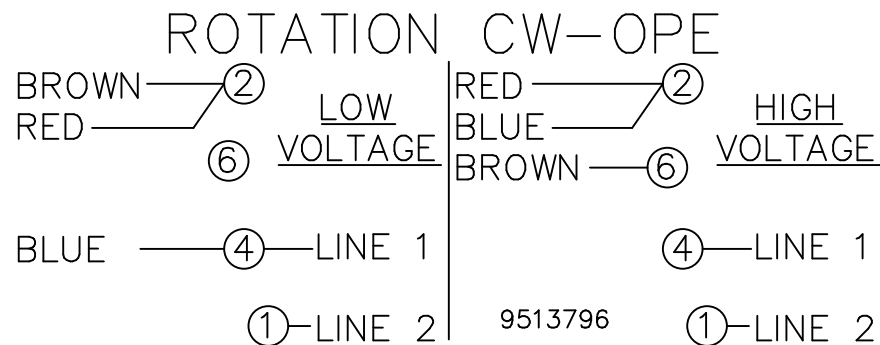
This is an uncontrolled document once printed or downloaded and is subject to change without notice. Date Created:30/10/2019


SS404141



DASH	XB	C	AG
650	0.00	10.47	8.5
700	0.00	10.97	9.00
750	2.00	11.47	9.50
800	2.00	11.97	10.00

				TOLERANCES UNLESS SPECIFIED		REGAL™ Regal Beloit America, Inc.		DRAWN PVR 01/05/15	
				DEC.	INCHES			CHK VS 01/05/15	
				.X	±.1			APPD	
D	ADDED DASH 650	SM 11/21/2016	SM	.XX	±.03	TITLE OUTLINE		SCALE 3=8	
02	ADDED DASH #750	PVR 01/14/15	PI	.XXX	±.005			REF	
01	DASH #700 UPDATED & ADDED DASH#800	PVR 01/06/15	SM	.XXXX	±.0005	MAT'L.		FMF	
NO.	REVISION	BY & DATE	CHK	ANG	±7'30"	FINISH		PREV	
THIS DRAWING IN DESIGN AND DETAIL IS OUR PROPERTY AND MUST NOT BE USED EXCEPT IN CONNECTION WITH OUR WORK ALL RIGHTS OF DESIGN AND INVENTION ARE RESERVED THIS IS AN ELECTRONICALLY GENERATED DOCUMENT - DO NOT SCALE THIS PRINT				RFP		CAD FILE SS404141		SIZE	DRAWING NO. PAGE OF REV.
				DIST	WP			A	SS404141 D



				TOLERANCES UNLESS SPECIFIED			DRAWN TOM 01/31/1990		
				DEC.	INCHES		CHK	ML 01/31/1990	
				.X	±.1		APPD	GK 01/31/1990	
				.XX	±.02		SCALE 1=1		
2	REDRAWN ON AUTOCAD	JMS 03/21/2005	.XXX	±.005	TITLE CONNECTION DIAGRAM		REF		
1	NEW DRAWING	TOM 01/31/1990	.XXXX	±.0005	MAT'L.		FMF		
NO.	REVISION	BY & DATE	CHK	ANG	±7'30"	FINISH	PREV		
THIS DRAWING IN DESIGN AND DETAIL IS OUR PROPERTY AND MUST NOT BE USED EXCEPT IN CONNECTION WITH OUR WORK ALL RIGHTS OF DESIGN AND INVENTION ARE RESERVED THIS IS AN ELECTRONICALLY GENERATED DOCUMENT - DO NOT SCALE THIS PRINT			RFP	CAD FILE 9513796			SIZE	DRAWING NO. PAGE OF	REV.
			DIST WP				A	9513796	2