

# PRODUCT INFORMATION PACKET



Model No: C846ES  
Catalog No: C846ES  
1/2 HP General Purpose Motor, 1 phase, 1800 RPM, 115/230 V, 56 Frame, ODP  
Single Phase ODP Motors



Regal and Century are trademarks of Regal Beloit Corporation or one of its affiliated companies.  
©2019 Regal Beloit Corporation, All Rights Reserved. MC017097E

The REGAL logo consists of the word 'REGAL' in a bold, white, sans-serif font, set against a dark gray rectangular background with a slight 3D effect.

REGAL



**Nameplate Specifications**

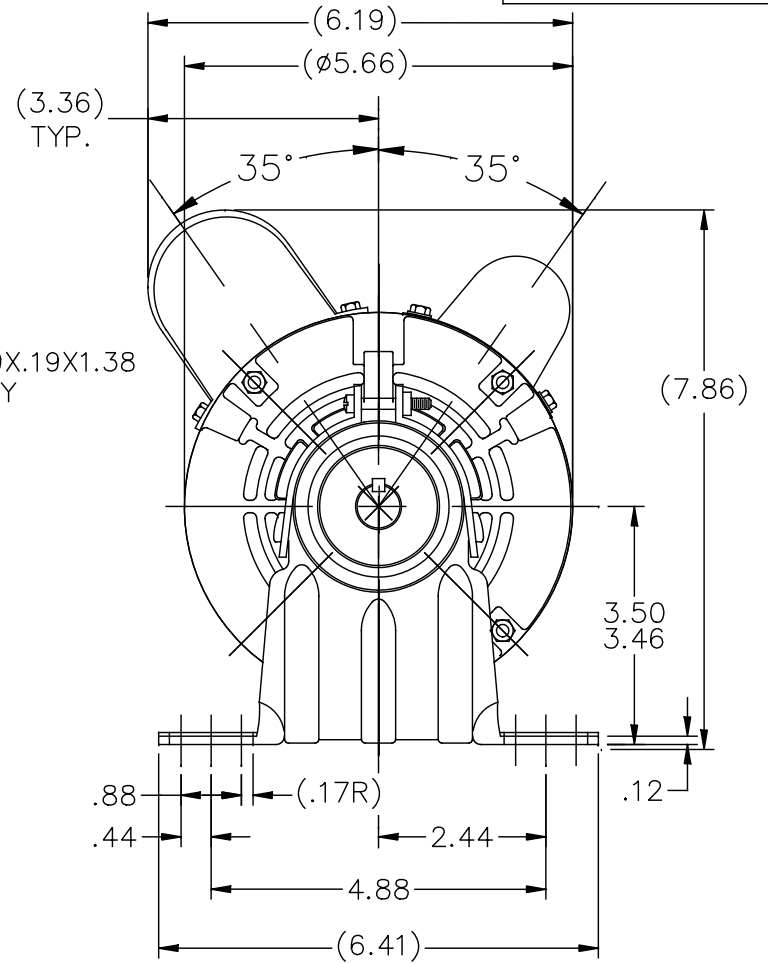
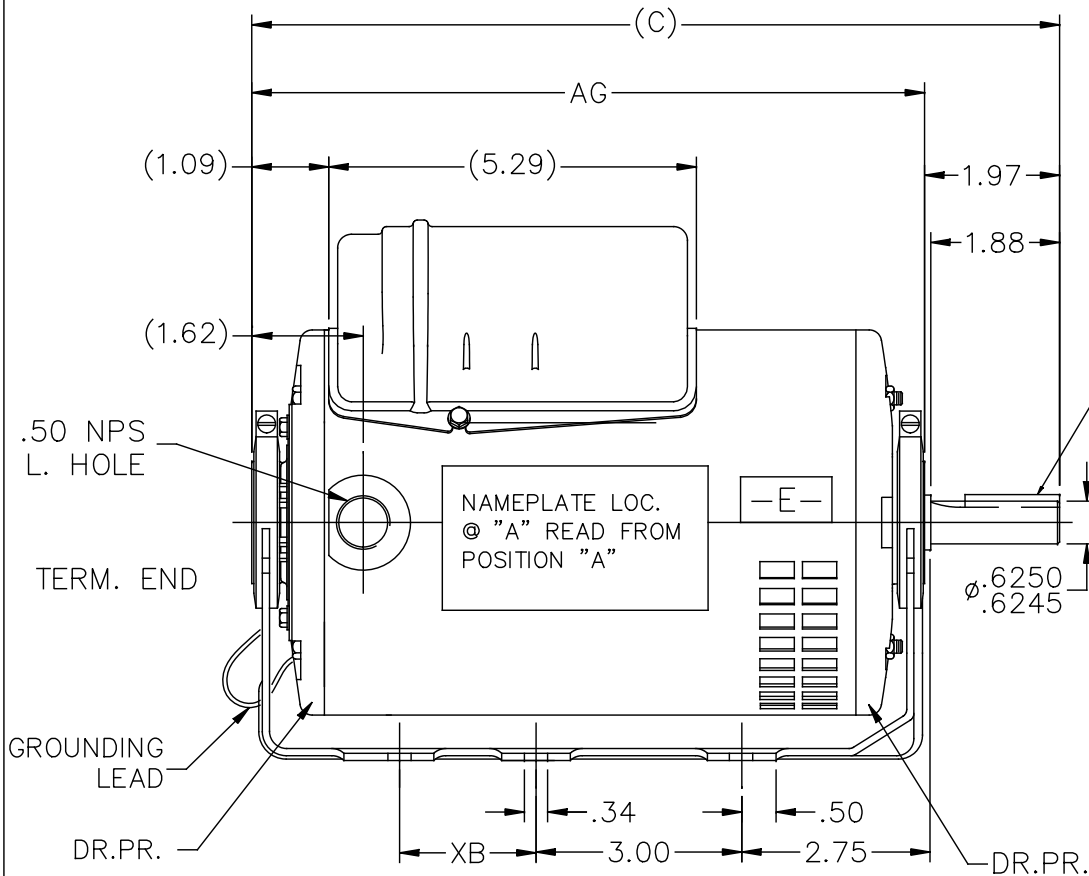
Output HP	1/2 Hp	Output KW	0.37 kW
Frequency	60 Hz	Voltage	115/230 V
Current	4.6/2.3 A	Speed	1725 rpm
Service Factor	1.25	Phase	1
Duty	Continuous	Insulation Class	B
Frame	56	Enclosure	Drip Proof
Thermal Protection	None	Ambient Temperature	40 °C
UL	Recognized	CSA	N
CE	Y		

**Technical Specifications**

Electrical Type	Shaded Pole	Starting Method	Across The Line
Poles	4	Rotation	Reversible Counterclockwise
Mounting	Resilient Base	Drive End Bearing	Ball
Opp Drive End Bearing	Ball	Frame Material	Rolled Steel
Shaft Type	Keyed	Overall Length	11.47 in
Frame Length	7.63 in	Shaft Diameter	0.625 in
Shaft Extension	1.97 in		

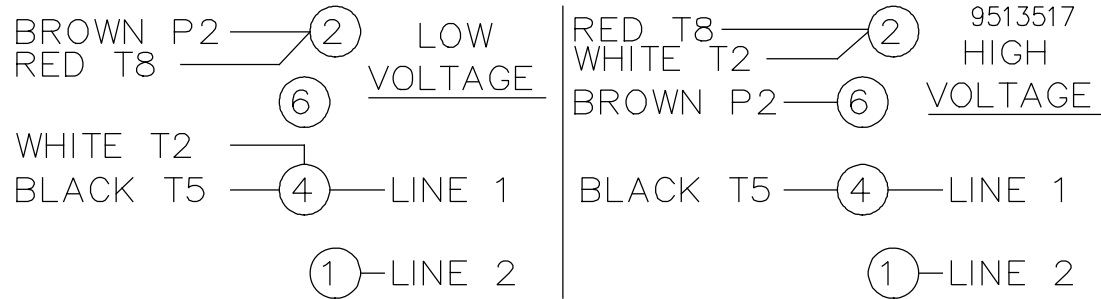
This is an uncontrolled document once printed or downloaded and is subject to change without notice. Date Created:30/10/2019

SS404141



DASH	XB	C	AG
650	0.00	10.47	8.5
700	0.00	10.97	9.00
750	2.00	11.47	9.50
800	2.00	11.97	10.00

				TOLERANCES UNLESS SPECIFIED		REGAL™ Regal Beloit America, Inc.	DRAWN PVR 01/05/15		
				DEC.	INCHES		CHK VS 01/05/15	APPD	
				.X	±.1	TITLE OUTLINE	SCALE	3=8	
D	ADDED DASH 650	SM 11/21/2016	SM	.XX	±.03		REF	FMF	
02	ADDED DASH #750	PVR 01/14/15	PI	.XXX	±.005		PREV		
01	DASH #700 UPDATED & ADDED DASH#800	PVR 01/06/15	SM	.XXXX	±.0005				
NO.	REVISION	BY & DATE	CHK	ANG	±7'30"	FINISH			
THIS DRAWING IN DESIGN AND DETAIL IS OUR PROPERTY AND MUST NOT BE USED EXCEPT IN CONNECTION WITH OUR WORK ALL RIGHTS OF DESIGN AND INVENTION ARE RESERVED THIS IS AN ELECTRONICALLY GENERATED DOCUMENT - DO NOT SCALE THIS PRINT				RFP		CAD FILE SS404141	SIZE	DRAWING NO. PAGE OF REV.	
				DIST	WP		A	SS404141 D	



ROTATION CCW-OPE TO REVERSE EITHER VOLTAGE  
 INTERCHANGE BLACK(T5) WITH RED(T8) LEADS

				TOLERANCES UNLESS SPECIFIED			DRAWN TOM 06-21-1988		
				DEC.	INCHES		CHK	GK 06-21-1988	
				.X	±.1		APPD	FG 06-21-1988	
3	ADDED T MARKINGS	DS 07/19/2018	VC	.XX	±.02	TITLE CONNECTION DIAGRAM	SCALE 1=1		
2	REDRAWN IN AUTOCAD	TAT 10-22-2004	ML	.XXX	±.005		REF		
1	NEW DRAWING	TOM 06-24-1988		.XXXX	±.0005		FMF		
NO.	REVISION	BY & DATE	CHK	ANG	±7'30"	FINISH	PREV		
THIS DRAWING IN DESIGN AND DETAIL IS OUR PROPERTY AND MUST NOT BE USED EXCEPT IN CONNECTION WITH OUR WORK ALL RIGHTS OF DESIGN AND INVENTION ARE RESERVED THIS IS AN ELECTRONICALLY GENERATED DOCUMENT - DO NOT SCALE THIS PRINT				RFP	CAD FILE 9513517		SIZE	DRAWING NO. PAGE OF	REV.
				DIST			A	9513517 3	3