

PRODUCT INFORMATION PACKET



Model No: C845ES
Catalog No: C845ES
1/2 HP General Purpose Motor, 1 phase, 1800 RPM, 115/230 V, 56 Frame, ODP
Single Phase ODP Motors



Regal and Century are trademarks of Regal Beloit Corporation or one of its affiliated companies.
©2019 Regal Beloit Corporation, All Rights Reserved. MC017097E

The REGAL logo consists of the word 'REGAL' in a bold, white, sans-serif font, set against a dark gray rectangular background with a slight shadow effect.

REGAL



Nameplate Specifications

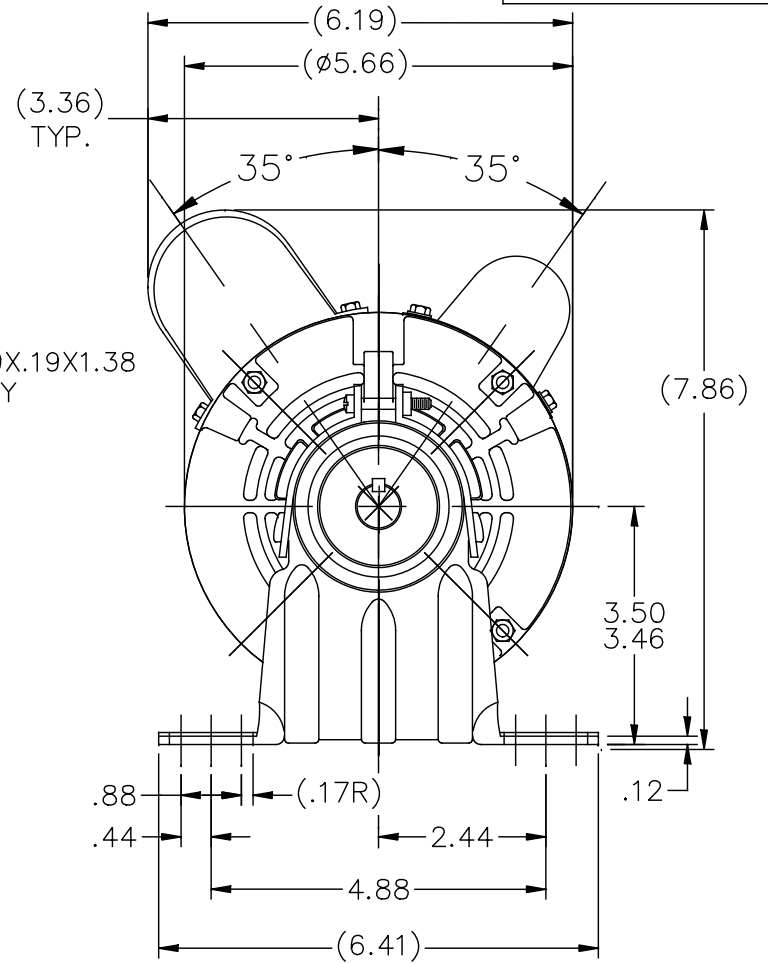
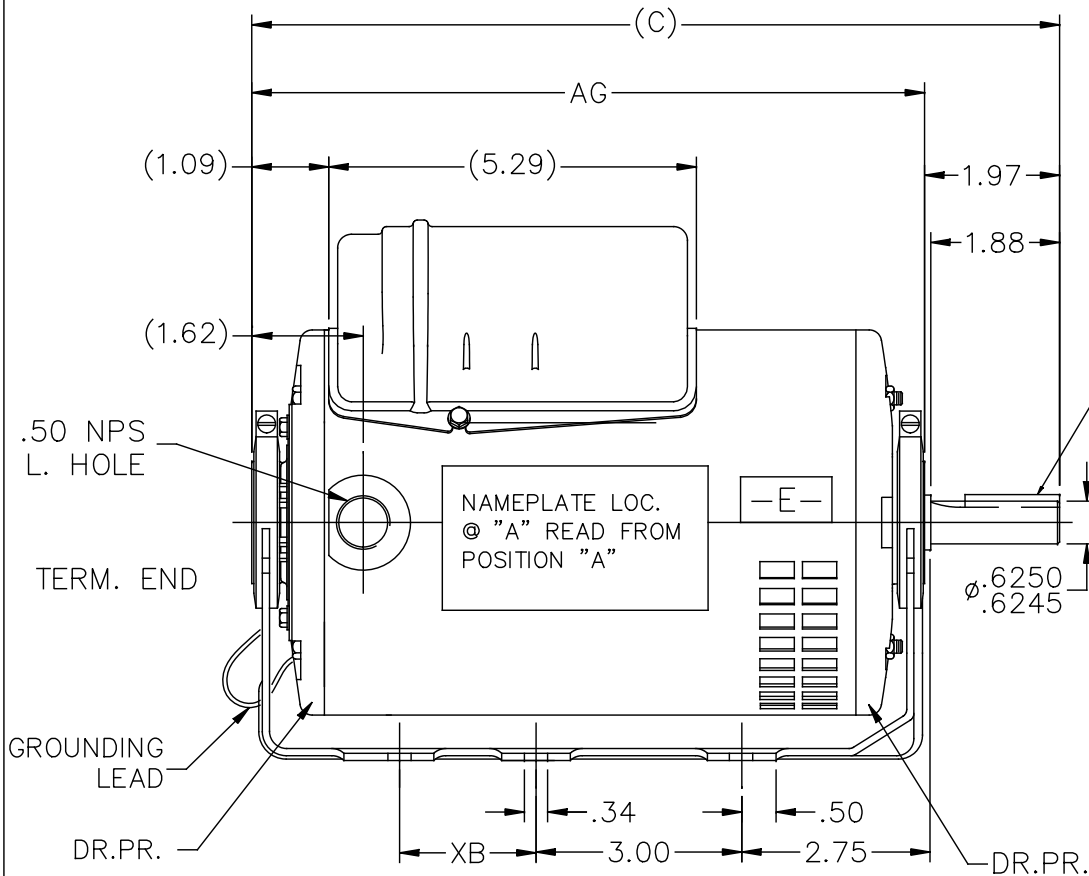
Output HP	1/2 Hp	Output KW	0.37 kW
Frequency	60 Hz	Voltage	115/230 V
Current	4.6/2.3 A	Speed	1725 rpm
Service Factor	1.25	Phase	1
Duty	Continuous	Insulation Class	B
Frame	56	Enclosure	Open Drip Proof
Thermal Protection	Automatic	Ambient Temperature	40 °C
UL	Recognized	CSA	Y
CE	Y		

Technical Specifications

Electrical Type	Shaded Pole	Starting Method	Across The Line
Poles	4	Rotation	Counterclockwise/Clockwise
Mounting	Resilient Base	Drive End Bearing	Ball
Opp Drive End Bearing	Ball	Frame Material	Rolled Steel
Shaft Type	Keyed	Overall Length	11.47 in
Frame Length	7.63 in	Shaft Diameter	0.625 in
Shaft Extension	1.97 in		

This is an uncontrolled document once printed or downloaded and is subject to change without notice. Date Created:30/10/2019

SS404141



DASH	XB	C	AG
650	0.00	10.47	8.5
700	0.00	10.97	9.00
750	2.00	11.47	9.50
800	2.00	11.97	10.00

				TOLERANCES UNLESS SPECIFIED		REGAL™ Regal Beloit America, Inc.	DRAWN PVR 01/05/15		
				DEC.	INCHES		CHK VS 01/05/15	APPD	
				.X	±.1	TITLE OUTLINE	SCALE	3=8	
D	ADDED DASH 650	SM 11/21/2016	SM	.XX	±.03		REF	FMF	PREV
02	ADDED DASH #750	PVR 01/14/15	PI	.XXX	±.005				
01	DASH #700 UPDATED & ADDED DASH#800	PVR 01/06/15	SM	.XXXX	±.0005		MAT'L.		
NO.	REVISION	BY & DATE	CHK	ANG	±7'30"	FINISH			
THIS DRAWING IN DESIGN AND DETAIL IS OUR PROPERTY AND MUST NOT BE USED EXCEPT IN CONNECTION WITH OUR WORK ALL RIGHTS OF DESIGN AND INVENTION ARE RESERVED THIS IS AN ELECTRONICALLY GENERATED DOCUMENT - DO NOT SCALE THIS PRINT				RFP		CAD FILE SS404141	SIZE	DRAWING NO. PAGE OF REV.	
				DIST	WP		A	SS404141 D	



TO REVERSE EITHER VOLTAGE
INTERCHANGE BLACK WITH RED LEADS

PLATE: 41365

SLOT: 22

				TOLERANCES UNLESS SPECIFIED			DRAWN TOM 09-05-1989			
				DEC.	INCHES		CHK	ML	09-11-1989	
				.X	± -	TITLE CONNECTION DIAGRAM	APPD	MB	09-11-1989	
3	ADDED BLACK LEAD	KK	4/02/16	.XX	± -		SCALE	1=1		
2	REVISED BLUE LEAD WAS WHITE CN 37698	NJS	02-05-2004	JET	.XXX		± -	REF		
1	NEW DRAWING	TOM	09-05-1989	.XXXX	± -		MAT'L.	FMF		
NO.	REVISION	BY & DATE	CHK	ANG	± -	FINISH	PREV			
THIS DRAWING IN DESIGN AND DETAIL IS OUR PROPERTY AND MUST NOT BE USED EXCEPT IN CONNECTION WITH OUR WORK ALL RIGHTS OF DESIGN AND INVENTION ARE RESERVED THIS IS AN ELECTRONICALLY GENERATED DOCUMENT - DO NOT SCALE THIS PRINT			RFP	CAD FILE 9513742		SIZE	DRAWING NO.	PAGE	OF	REV.
			DIST	WP		A	9513742			3