

PRODUCT INFORMATION PACKET



Model No: C840ES
Catalog No: C840ES
1/3 HP General Purpose Motor, 1 phase, 1200 RPM, 115/230 V, 56 Frame, ODP
Single Phase ODP Motors



Regal and Century are trademarks of Regal Beloit Corporation or one of its affiliated companies.
©2019 Regal Beloit Corporation, All Rights Reserved. MC017097E

The REGAL logo consists of the word 'REGAL' in a bold, white, sans-serif font, set against a dark gray rectangular background with a slight 3D effect.

REGAL



Nameplate Specifications

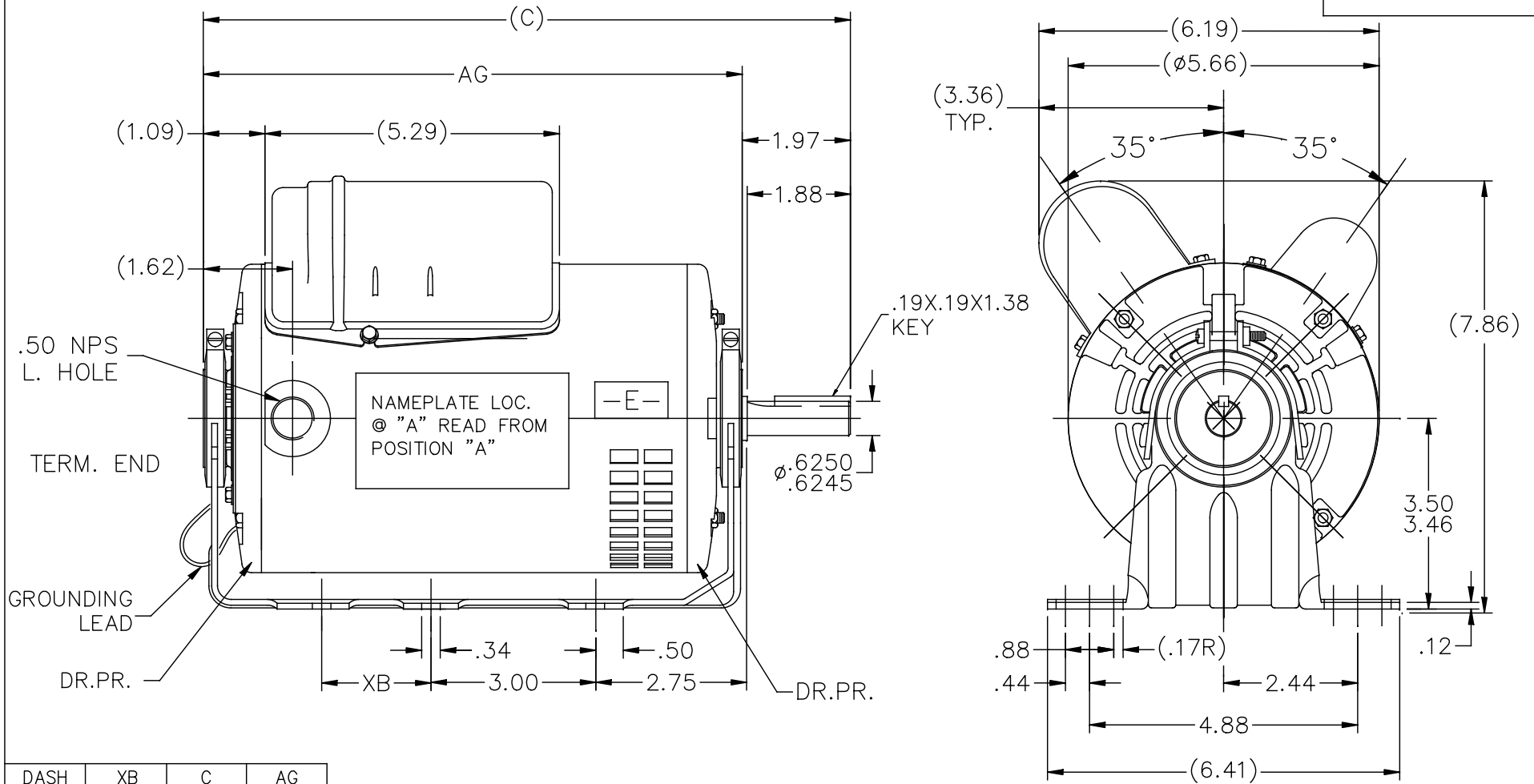
Output HP	1/3 Hp	Output KW	0.25 kW
Frequency	60 Hz	Voltage	115/230 V
Current	3.4/1.7 A	Speed	1140 rpm
Service Factor	1.35	Phase	1
Duty	Continuous	Insulation Class	B
Frame	56	Enclosure	Drip Proof
Thermal Protection	None	Ambient Temperature	40 °C
UL	Recognized	CSA	N
CE	Y		

Technical Specifications

Electrical Type	Shaded Pole	Starting Method	Across The Line
Poles	6	Rotation	Reversible Counterclockwise
Mounting	Resilient Base	Drive End Bearing	Ball
Opp Drive End Bearing	Ball	Frame Material	Rolled Steel
Shaft Type	Keyed	Overall Length	11.97 in
Frame Length	8.13 in	Shaft Diameter	0.625 in
Shaft Extension	1.97 in		

This is an uncontrolled document once printed or downloaded and is subject to change without notice. Date Created:30/10/2019

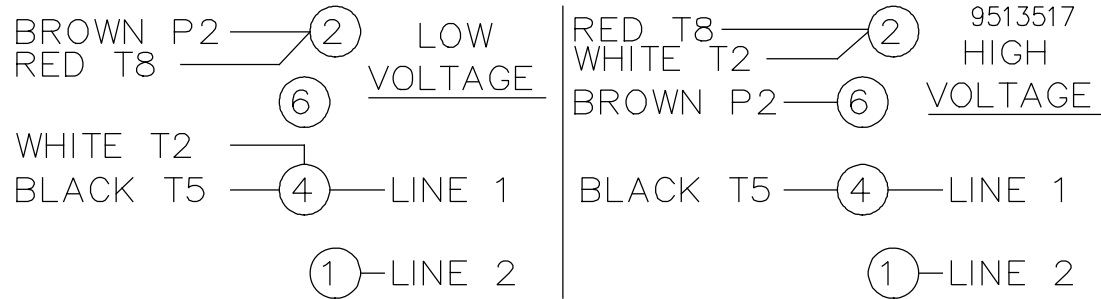
SS404141




DASH	XB	C	AG
650	0.00	10.47	8.5
700	0.00	10.97	9.00
750	2.00	11.47	9.50
800	2.00	11.97	10.00

				TOLERANCES UNLESS SPECIFIED		REGAL™ Regal Beloit America, Inc.	DRAWN PVR 01/05/15		
				DEC.	INCHES		CHK VS 01/05/15	APPD	
				.X	±.1		SCALE 3=8		
D	ADDED DASH 650	SM 11/21/2016	SM .XX	±.03	TITLE OUTLINE		REF		
02	ADDED DASH #750	PVR 01/14/15	PI .XXX	±.005			FMF		
01	DASH #700 UPDATED & ADDED DASH#800	PVR 01/06/15	SM .XXXX	±.0005	MAT'L.		PREV		
NO.	REVISION	BY & DATE	CHK	ANG	FINISH	SIZE	DRAWING NO.	PAGE OF	REV.
			RFP		CAD FILE SS404141	A	SS404141		D
			DIST	WP					

THIS DRAWING IN DESIGN AND DETAIL IS OUR PROPERTY AND MUST NOT BE USED EXCEPT IN CONNECTION WITH OUR WORK ALL RIGHTS OF DESIGN AND INVENTION ARE RESERVED THIS IS AN ELECTRONICALLY GENERATED DOCUMENT - DO NOT SCALE THIS PRINT



ROTATION CCW—OPE TO REVERSE EITHER VOLTAGE
 INTERCHANGE BLACK(T5) WITH RED(T8) LEADS

				TOLERANCES UNLESS SPECIFIED			DRAWN TOM 06-21-1988	
				DEC.	INCHES		CHK	GK 06-21-1988
				.X	±.1		APPD	FG 06-21-1988
3	ADDED T MARKINGS	DS 07/19/2018	VC	.XX	±.02	TITLE CONNECTION DIAGRAM	SCALE 1=1	
2	REDRAWN IN AUTOCAD	TAT 10-22-2004	ML	.XXX	±.005		REF	
1	NEW DRAWING	TOM 06-24-1988		.XXXX	±.0005		FMF	
NO.	REVISION	BY & DATE	CHK	ANG	±7'30"	FINISH	PREV	
THIS DRAWING IN DESIGN AND DETAIL IS OUR PROPERTY AND MUST NOT BE USED EXCEPT IN CONNECTION WITH OUR WORK ALL RIGHTS OF DESIGN AND INVENTION ARE RESERVED THIS IS AN ELECTRONICALLY GENERATED DOCUMENT - DO NOT SCALE THIS PRINT				RFP	CAD FILE 9513517		SIZE	DRAWING NO. PAGE OF REV.
				DIST			A	9513517 3