

# PRODUCT INFORMATION PACKET



Model No: C838ES  
Catalog No: C838ES  
1/3 HP General Purpose Motor, 1 phase, 1800 RPM, 115/230 V, 56 Frame, ODP  
Single Phase ODP Motors



Regal and Century are trademarks of Regal Beloit Corporation or one of its affiliated companies.  
©2019 Regal Beloit Corporation, All Rights Reserved. MC017097E

The REGAL logo consists of the word 'REGAL' in a bold, white, sans-serif font, set against a dark gray rectangular background with a slight 3D effect.

REGAL



**Nameplate Specifications**

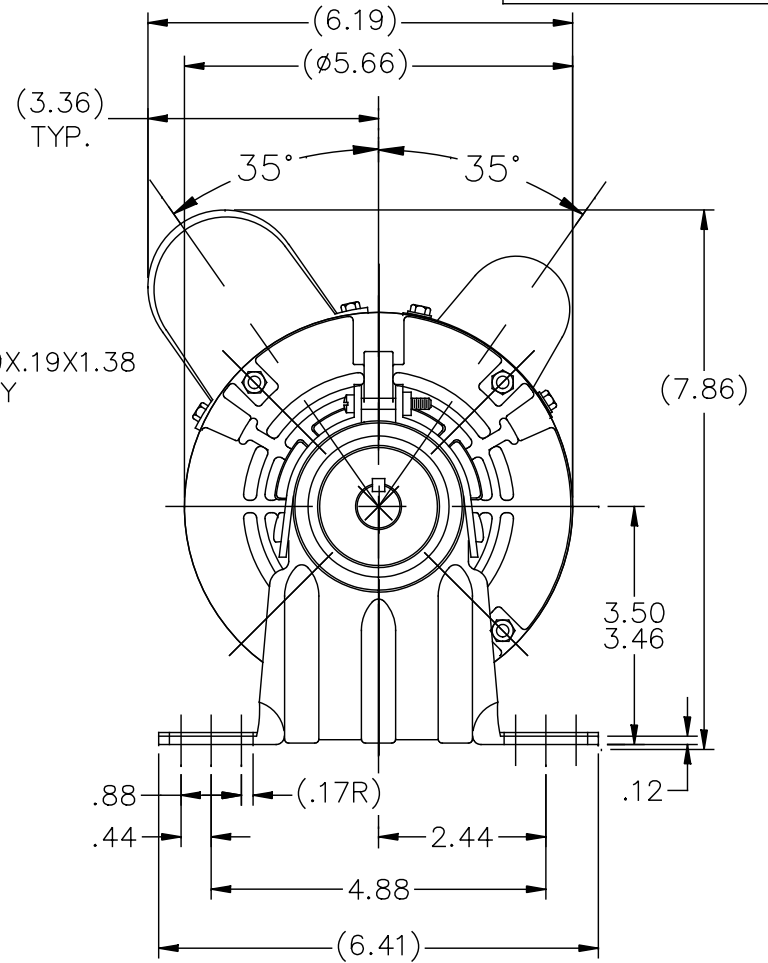
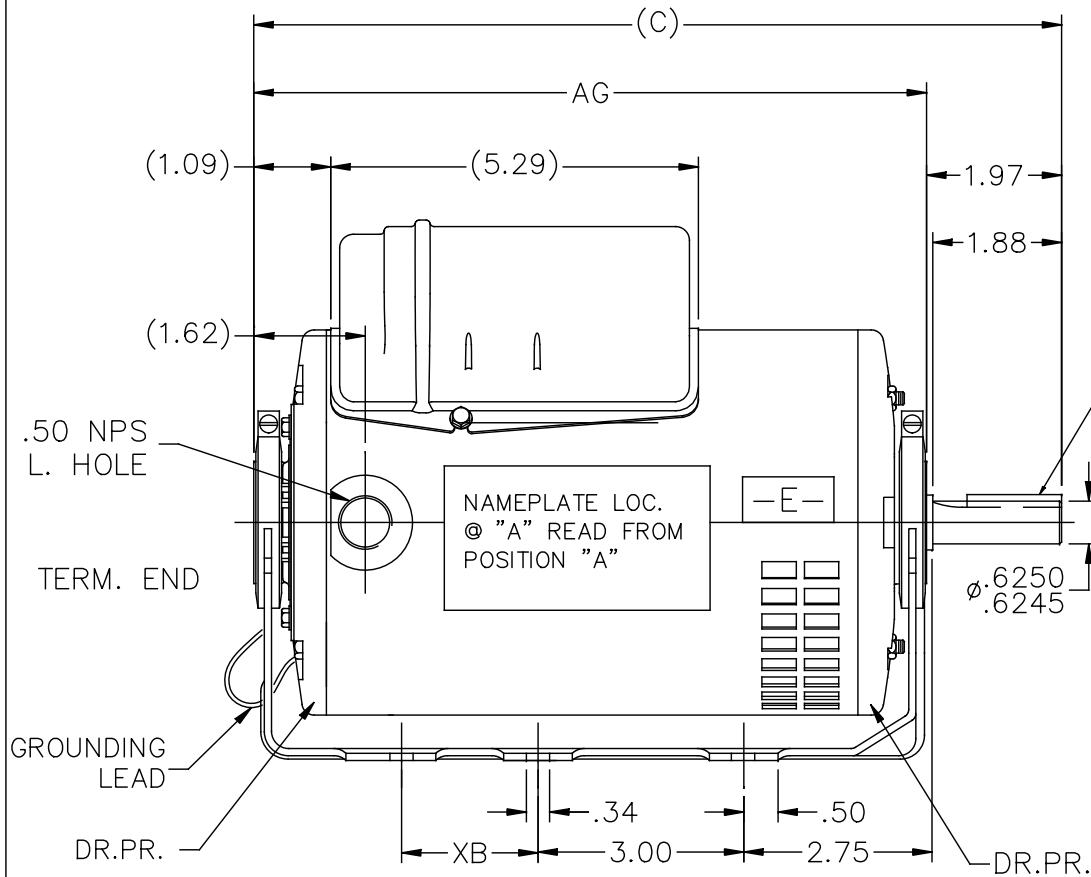
Output HP	1/3 Hp	Output KW	0.25 kW
Frequency	60 Hz	Voltage	115/230 V
Current	3.8/1.9 A	Speed	1725 rpm
Service Factor	1.35	Phase	1
Duty	Continuous	Insulation Class	B
Frame	56	Enclosure	Drip Proof
Thermal Protection	None	Ambient Temperature	40 °C
UL	Recognized	CSA	N
CE	Y		

**Technical Specifications**

Electrical Type	Shaded Pole	Starting Method	Across The Line
Poles	4	Rotation	Reversible Counterclockwise
Mounting	Resilient Base	Drive End Bearing	Ball
Opp Drive End Bearing	Ball	Frame Material	Rolled Steel
Shaft Type	Keyed	Overall Length	10.97 in
Frame Length	7.13 in	Shaft Diameter	0.625 in
Shaft Extension	1.97 in		

This is an uncontrolled document once printed or downloaded and is subject to change without notice. Date Created:30/10/2019

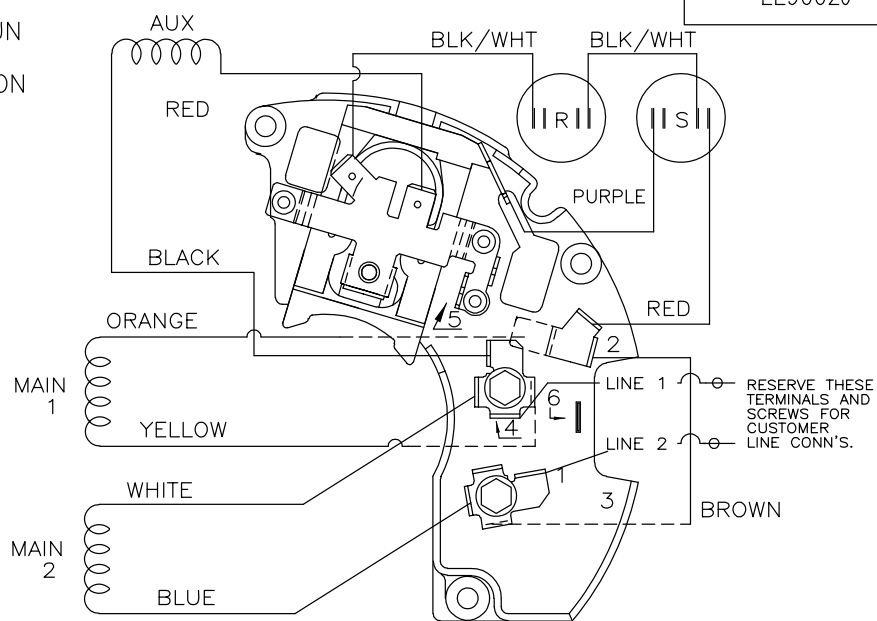
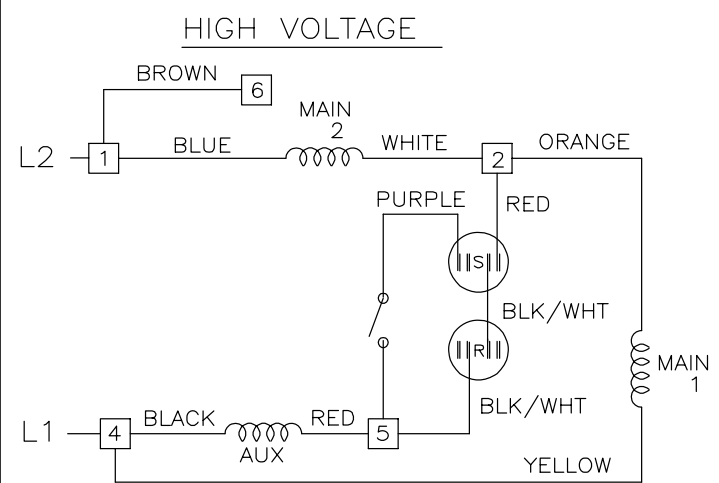
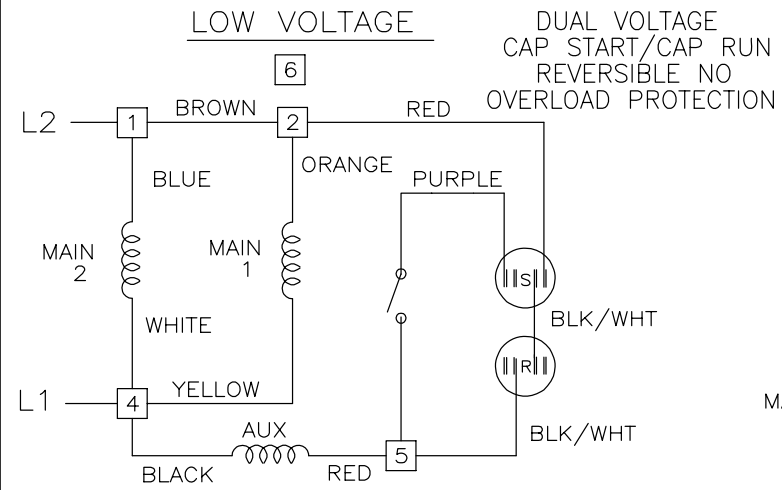
SS404141



DASH	XB	C	AG
650	0.00	10.47	8.5
700	0.00	10.97	9.00
750	2.00	11.47	9.50
800	2.00	11.97	10.00

				TOLERANCES UNLESS SPECIFIED		REGAL™ Regal Beloit America, Inc.	DRAWN PVR 01/05/15			
				DEC.	INCHES		CHK VS 01/05/15			
				.X	±.1		APPD			
D	ADDED DASH 650	SM 11/21/2016	SM	.XX	±.03	TITLE OUTLINE	SCALE	3=8		
02	ADDED DASH #750	PVR 01/14/15	PI	.XXX	±.005		REF			
01	DASH #700 UPDATED & ADDED DASH#800	PVR 01/06/15	SM	.XXXX	±.0005	MAT'L.	FMF			
NO.	REVISION	BY & DATE	CHK	ANG	±7'30"	FINISH	PREV			
THIS DRAWING IN DESIGN AND DETAIL IS OUR PROPERTY AND MUST NOT BE USED EXCEPT IN CONNECTION WITH OUR WORK ALL RIGHTS OF DESIGN AND INVENTION ARE RESERVED THIS IS AN ELECTRONICALLY GENERATED DOCUMENT - DO NOT SCALE THIS PRINT				RFP		CAD FILE SS404141	SIZE	DRAWING NO.	PAGE OF	REV.
				DIST	WP		A	SS404141		D

EE9002J



VIEWING TERM END

LOW VOLTAGE CCW ROTATION SHOWN.

FOR HIGH VOLTAGE  
CONNECT BROWN TERM 2 TO TERM 6.  
CONNECT WHITE TERM 4 TO TERM 2.

TO REVERSE ROTATION EITHER  
VOLTAGE INTERCHANGE RED  
LEAD WITH BLACK LEAD.

DASH LINES INDICATE LEADS CONNECTED  
TO MOTOR SIDE OF SWITCH.

		TOLERANCES UNLESS SPECIFIED			DRAWN SVL 6/17/2013
		DEC.	INCHES		CHK
		.X	± -		APPD
		.XX	± -		SCALE NTS
				TITLE CONNECTION DIAGRAM	REF EE9002J
				48 FR. - DUAL VOLTAGE REVERSIBLE	FMF PR132489
2	TEMPLATE LOGO CHNAGED FROM MARATHON TO DAYTON	KR 05/16/2014	VS .XXXX ± -	MAT'L.	PREV
NO.	REVISION	BY & DATE	CHK ANG ± -	FINISH	
THIS DRAWING IN DESIGN AND DETAIL IS OUR PROPERTY AND MUST NOT BE USED EXCEPT IN CONNECTION WITH OUR WORK ALL RIGHTS OF DESIGN AND INVENTION ARE RESERVED THIS IS AN ELECTRONICALLY GENERATED DOCUMENT - DO NOT SCALE THIS PRINT				RFP	CAD FILE ee9002j
				DIST	SIZE A
				DRAWING NO. EE9002J	PAGE 1 OF 2
					REV. 02