

PRODUCT INFORMATION PACKET



Model No: C837ES
Catalog No: C837ES
1/3 HP General Purpose Motor, 1 phase, 1800 RPM, 115/230 V, 48 Frame, ODP
Single Phase ODP Motors



Regal and Century are trademarks of Regal Beloit Corporation or one of its affiliated companies.
©2019 Regal Beloit Corporation, All Rights Reserved. MC017097E

The REGAL logo is a grey rectangular box with the word 'REGAL' in white, bold, uppercase letters. It is positioned on a blue and black halftone background that runs vertically down the right side of the page.

REGAL



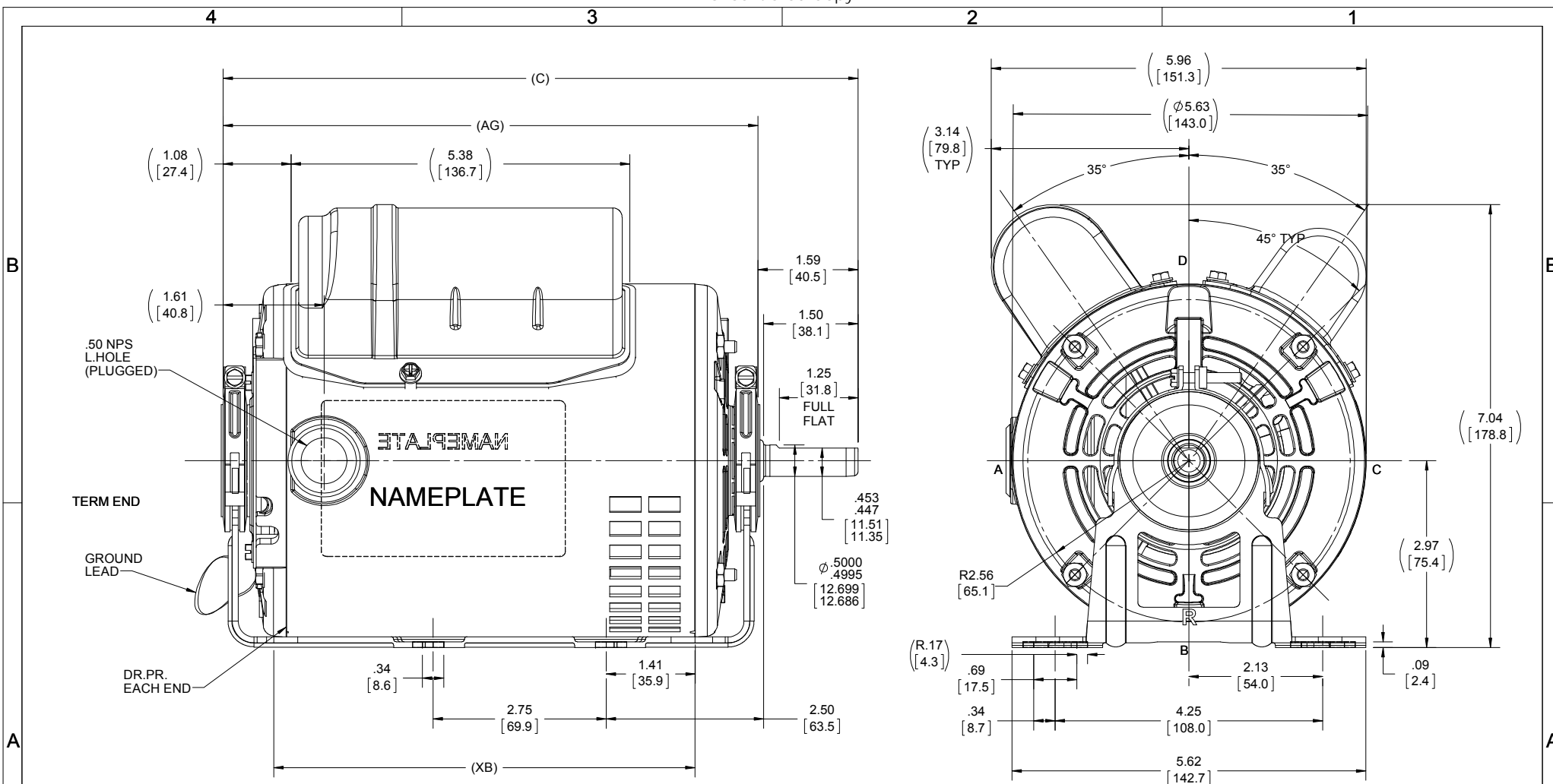
Nameplate Specifications

| | | | |
|--------------------|------------|---------------------|------------|
| Output HP | 1/3 Hp | Output KW | 0.25 kW |
| Frequency | 60 Hz | Voltage | 115/230 V |
| Current | 3.8/1.9 A | Speed | 1725 rpm |
| Service Factor | 1.35 | Phase | 1 |
| Duty | Continuous | Insulation Class | B |
| Frame | 48 | Enclosure | Drip Proof |
| Thermal Protection | None | Ambient Temperature | 40 °C |
| UL | Recognized | CSA | N |
| CE | Y | | |

Technical Specifications

| | | | |
|-----------------------|----------------|-------------------|-----------------------------|
| Electrical Type | Shaded Pole | Starting Method | Across The Line |
| Poles | 4 | Rotation | Reversible Counterclockwise |
| Mounting | Resilient Base | Drive End Bearing | Ball |
| Opp Drive End Bearing | Ball | Frame Material | Rolled Steel |
| Shaft Type | Flat | Overall Length | 10.59 in |
| Frame Length | 7.13 in | Shaft Diameter | 0.500 in |
| Shaft Extension | 1.59 in | | |

This is an uncontrolled document once printed or downloaded and is subject to change without notice. Date Created:30/10/2019



| DASH | C | AG | XB |
|------|-------|------|------|
| 650 | 10.09 | 8.50 | 6.69 |
| 675 | 10.34 | 8.75 | 6.94 |
| 700 | 10.59 | 9.00 | 7.19 |
| 750 | 11.09 | 9.50 | 7.69 |

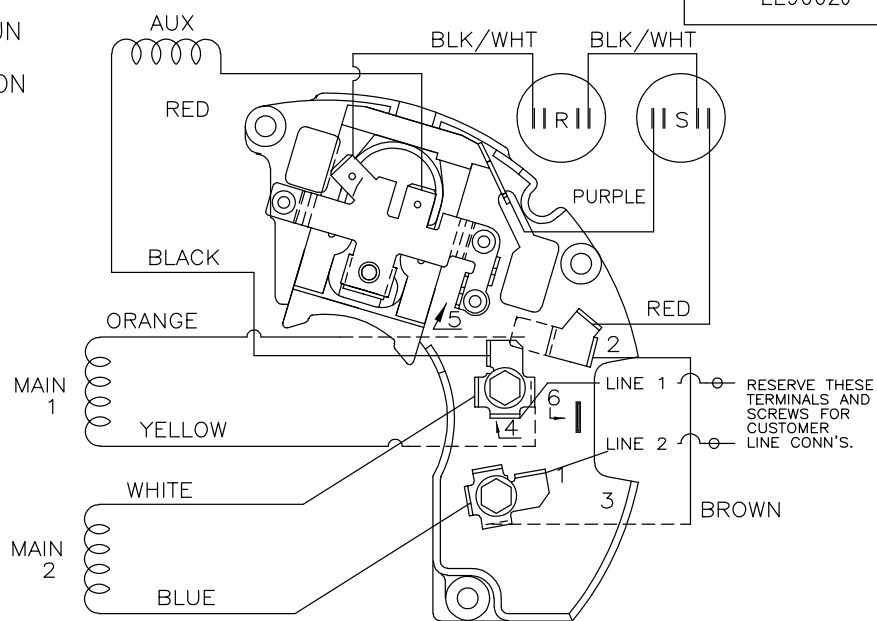
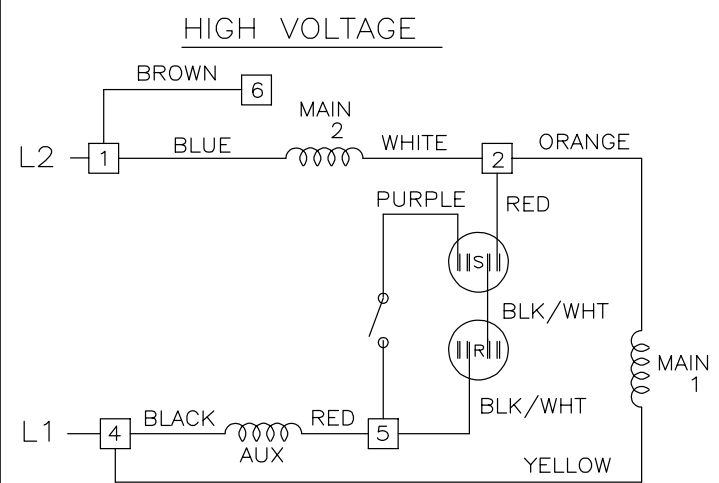
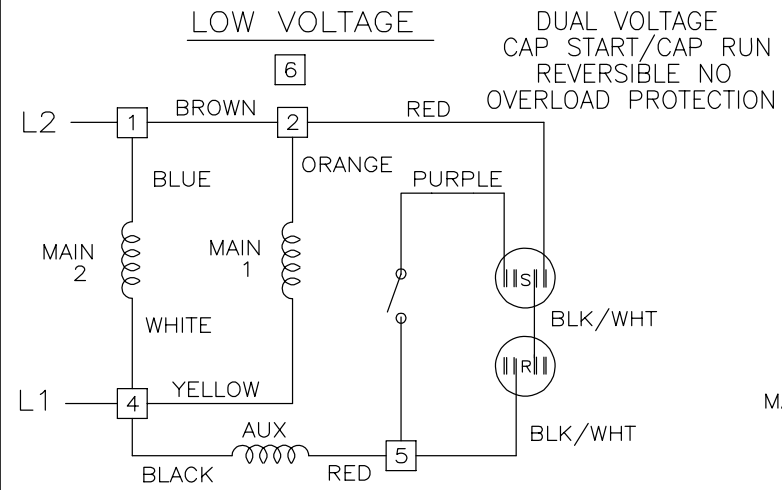
| | | |
|--|------------------------|---------------------------|
| DRAWING REVISION E | REVISION BY S.MUDDA | REV DATE/DATE 6/6/2019 |
| ECO ECO-0172090 | APPROVED BY | DATE |
| ECO DESCRIPTION OUTLINE CONVERSION PROJECT | | |
| <small>COPYRIGHT (PER REVISION DATE) REGAL BELOIT AMERICA, INC. ALL RIGHTS RESERVED. PROPRIETARY AND CONFIDENTIAL INFORMATION - THIS DOCUMENT IS THE PROPERTY OF REGAL BELOIT AMERICA, INC. (OWNER) AND CONTAINS OWNERS PROPRIETARY INFORMATION. ANY PERSON, CORPORATION OR OTHER FIRM RECEIVING IT IS DEEMED, BY RECEIVING IT, TO AGREE THAT IT, AND/OR ANY PART OF IT, SHALL NOT BE DISCLOSED TO ANY PERSON, CORPORATION OR OTHER ENTITY, DUPLICATED, AND/OR USED, EXCEPT AS EXPRESSLY APPROVED IN WRITING IN ADVANCE BY OWNER. THIS DOCUMENT SHALL BE RETURNED TO OWNER UPON REQUEST. IT MAY BE SUBJECT TO CERTAIN RESTRICTIONS UNDER APPLICABLE EXPORT CONTROL LAWS AND REGULATIONS.</small> | | |

| | | | |
|---|---------|----------|---------|
| TOLERANCES (EXCEPT AS NOTED): | | | |
| DEC. | INCH | mm | ANGLE |
| -X | +0.1 | [±3] | ±7° 30' |
| .XX | +0.03 | [±0.8] | |
| .XXX | +0.005 | [±0.13] | |
| .XXXX | +0.0005 | [±0.013] | |
| REMOVE BURRS & BREAK SHARP EDGES: .003/.015 [.08/.38] X 45° | | | |
| CORNER FILLETS: R.02 [.5] | | | |
| MACHINED SURFACES: 200 √ mm 5.1 √ INCH | | | |
| mm DIMENSIONS IN [BRACKETS] ARE FOR REFERENCE ONLY | | | |

| | |
|-----------------------|------------------------|
| DRAWN BY PVR | DATE 12/24/2014 |
| APPROVED BY | DATE |
| REFERENCE SS404133 | THIRD ANGLE PROJECTION |

| | |
|--------------------------------------|----------------------------|
| Regal Beloit America, Inc. | |
| DESCRIPTION OUTLINE 48 FR - DP | |
| MATERIAL | PROCESS/FINISH |
| SIZE B | DRAWING NUMBER SS404134 |
| SHEET 1 OF 1 | |

EE9002J



VIEWING TERM END

LOW VOLTAGE CCW ROTATION SHOWN.

FOR HIGH VOLTAGE
CONNECT BROWN TERM 2 TO TERM 6.
CONNECT WHITE TERM 4 TO TERM 2.

TO REVERSE ROTATION EITHER
VOLTAGE INTERCHANGE RED
LEAD WITH BLACK LEAD.

DASH LINES INDICATE LEADS CONNECTED
TO MOTOR SIDE OF SWITCH.

| | | | | | |
|--|---|-----------------------------|--------------|----------------------------------|---------------------|
| | | TOLERANCES UNLESS SPECIFIED | | | DRAWN SVL 6/17/2013 |
| | | DEC. | INCHES | | CHK |
| | | .X | ± - | | APPD |
| | | .XX | ± - | | SCALE NTS |
| | | | | TITLE CONNECTION DIAGRAM | REF EE9002J |
| | | | | 48 FR. - DUAL VOLTAGE REVERSIBLE | FMF PR132489 |
| 2 | TEMPLATE LOGO CHNAGED FROM MARATHON TO DAYTON | KR 05/16/2014 | VS .XXXX ± - | MAT'L. | PREV |
| NO. | REVISION | BY & DATE | CHK ANG ± - | FINISH | |
| THIS DRAWING IN DESIGN AND DETAIL IS OUR PROPERTY AND MUST NOT BE USED EXCEPT IN CONNECTION WITH OUR WORK ALL RIGHTS OF DESIGN AND INVENTION ARE RESERVED THIS IS AN ELECTRONICALLY GENERATED DOCUMENT - DO NOT SCALE THIS PRINT | | | | RFP | CAD FILE ee9002j |
| | | | | DIST | SIZE A |
| | | | | DRAWING NO. EE9002J | PAGE 1 OF 2 |
| | | | | | REV. 02 |