

PRODUCT INFORMATION PACKET



Model No: C834ES
Catalog No: C834ES
1/4 HP General Purpose Motor, 1 phase, 1800 RPM, 115/230 V, 48 Frame, ODP
Single Phase ODP Motors



Regal and Century are trademarks of Regal Beloit Corporation or one of its affiliated companies.
©2019 Regal Beloit Corporation, All Rights Reserved. MC017097E

REGAL



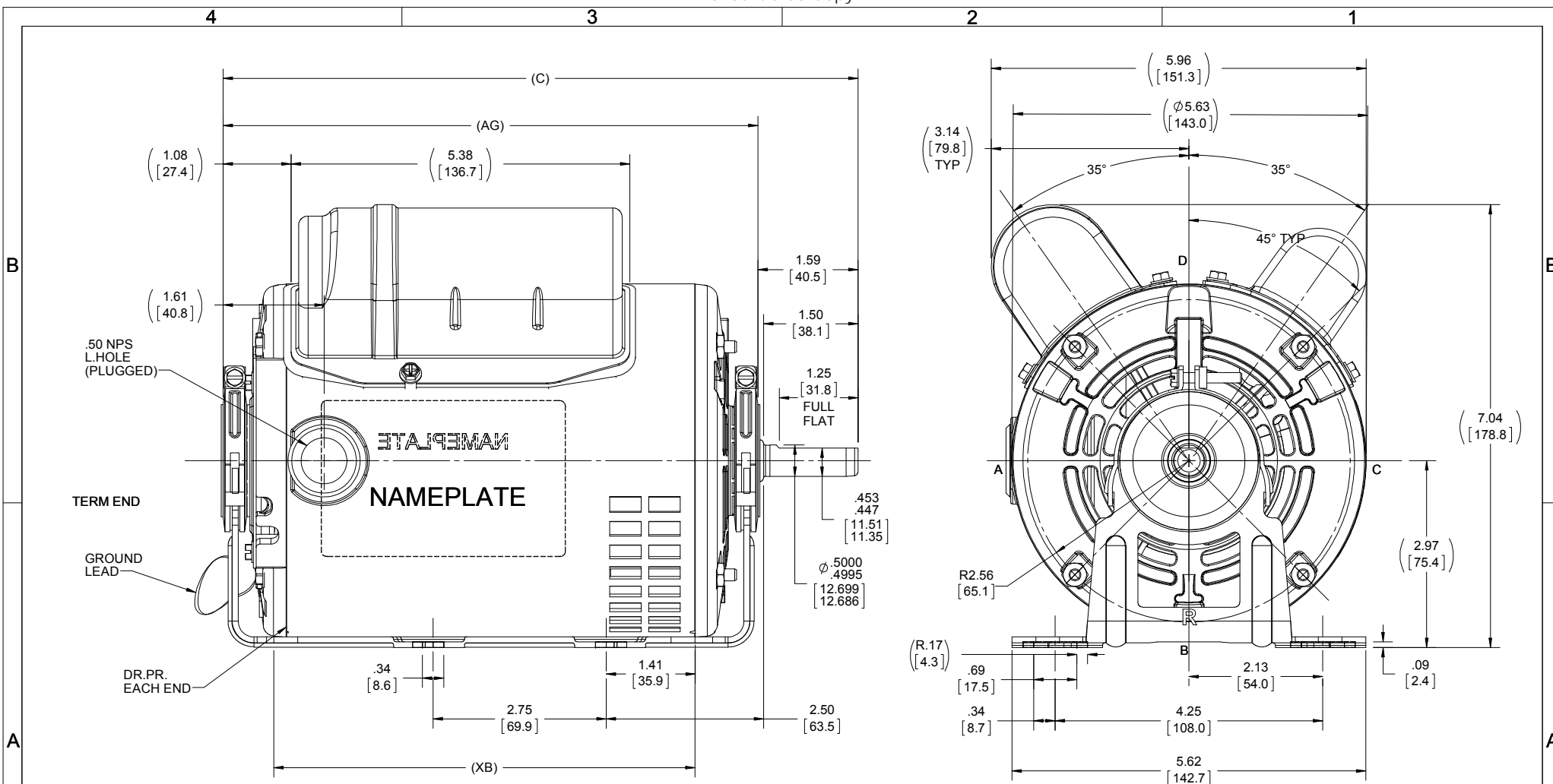
Nameplate Specifications

Output HP	1/4 Hp	Output KW	0.19 kW
Frequency	60 Hz	Voltage	115/230 V
Current	2.4/1.2 A	Speed	1725 rpm
Service Factor	1.35	Phase	1
Duty	Continuous	Insulation Class	B
Frame	48	Enclosure	Drip Proof
Thermal Protection	None	Ambient Temperature	40 °C
UL	Recognized	CSA	N
CE	Y		

Technical Specifications

Electrical Type	Shaded Pole	Starting Method	Across The Line
Poles	4	Rotation	Reversible Clockwise
Mounting	Resilient Base	Drive End Bearing	Ball
Opp Drive End Bearing	Ball	Frame Material	Rolled Steel
Shaft Type	Flat	Overall Length	10.34 in
Frame Length	6.88 in	Shaft Diameter	0.500 in
Shaft Extension	1.59 in		

This is an uncontrolled document once printed or downloaded and is subject to change without notice. Date Created:30/10/2019



DASH	C	AG	XB
650	10.09	8.50	6.69
675	10.34	8.75	6.94
700	10.59	9.00	7.19
750	11.09	9.50	7.69

DRAWING REVISION	REVISION BY	REV DATE/DATE
E	S.MUDDA	6/6/2019
ECO-0172090	APPROVED BY	DATE

ECO DESCRIPTION
OUTLINE CONVERSION PROJECT
COPYRIGHT (PER REVISION DATE) REGAL BELOIT AMERICA, INC. ALL RIGHTS RESERVED. PROPRIETARY AND CONFIDENTIAL INFORMATION - THIS DOCUMENT IS THE PROPERTY OF REGAL BELOIT AMERICA, INC. (OWNER) AND CONTAINS OWNERS PROPRIETARY INFORMATION. ANY PERSON, CORPORATION OR OTHER FIRM RECEIVING IT IS DEEMED, BY RECEIVING IT, TO AGREE THAT IT, AND/OR ANY PART OF IT, SHALL NOT BE DISCLOSED TO ANY PERSON, CORPORATION OR OTHER ENTITY, DUPLICATED, AND/OR USED, EXCEPT AS EXPRESSLY APPROVED IN WRITING IN ADVANCE BY OWNER. THIS DOCUMENT SHALL BE RETURNED TO OWNER UPON REQUEST. IT MAY BE SUBJECT TO CERTAIN RESTRICTIONS UNDER APPLICABLE EXPORT CONTROL LAWS AND REGULATIONS.

TOLERANCES (EXCEPT AS NOTED):

DEC.	INCH	mm	ANGLE
-X	+0.1	[±3]	±7° 30"
.XX	+0.03	[±0.8]	
.XXX	+0.005	[±0.13]	
.XXXX	+0.0005	[±0.013]	

REMOVE BURRS & BREAK SHARP EDGES: .003/.015 [.08/.38] X 45°
 CORNER FILLETS: R.02 [.5]
 MACHINED SURFACES: 200 √ mm 5.1 INCH √ mm
 mm DIMENSIONS IN [BRACKETS] ARE FOR REFERENCE ONLY

DRAWN BY	DATE	APPROVED BY	DATE
PVR	12/24/2014		
REFERENCE	SS404133		
THIRD ANGLE PROJECTION			

REGAL® Regal Beloit America, Inc.	
DESCRIPTION	PROCESS/FINISH
OUTLINE 48 FR - DP	
MATERIAL	DRAWING NUMBER
	SS404134
SIZE	SHEET
B	1 OF 1



ROTATION CW-OPE TO REVERSE EITHER VOLTAGE
INTERCHANGE BLACK WITH RED LEADS

				TOLERANCES UNLESS SPECIFIED			DRAWN SAJ 12/29/14			
				DEC.	INCHES		CHK CH 12/29/14			
				.X	±.1		APPD			
				.XX	±.02		SCALE 1=1			
				.XXX	±.005	TITLE CONNECTION DIAGRAM	REF			
01	TERMINAL 2 BLACK WAS RED PER ECO-0102536	KK 5/19/16		.XXXX	±.0005	MAT'L.	FMF			
NO.	REVISION	BY & DATE	CHK	ANG	±7'30"	FINISH	PREV			
THIS DRAWING IN DESIGN AND DETAIL IS OUR PROPERTY AND MUST NOT BE USED EXCEPT IN CONNECTION WITH OUR WORK ALL RIGHTS OF DESIGN AND INVENTION ARE RESERVED THIS IS AN ELECTRONICALLY GENERATED DOCUMENT - DO NOT SCALE THIS PRINT			RFP	CAD FILE 951347E			SIZE A	DRAWING NO. 951347E	PAGE OF	REV. 01
			DIST							