

PRODUCT INFORMATION PACKET



Model No: C826V1
Catalog No: C826V1

.5 HP General Purpose Motor, 1 phase, 1800 RPM, 115/208-230 V, 56C Frame, TEFC
Single Phase TEFC Motors



Regal and Century are trademarks of Regal Beloit Corporation or one of its affiliated companies.
©2019 Regal Beloit Corporation, All Rights Reserved. MC017097E

The REGAL logo is a grey, trapezoidal shape with the word 'REGAL' in white, bold, uppercase letters inside. It is positioned on a blue background with a halftone dot pattern that tapers to the right.

REGAL



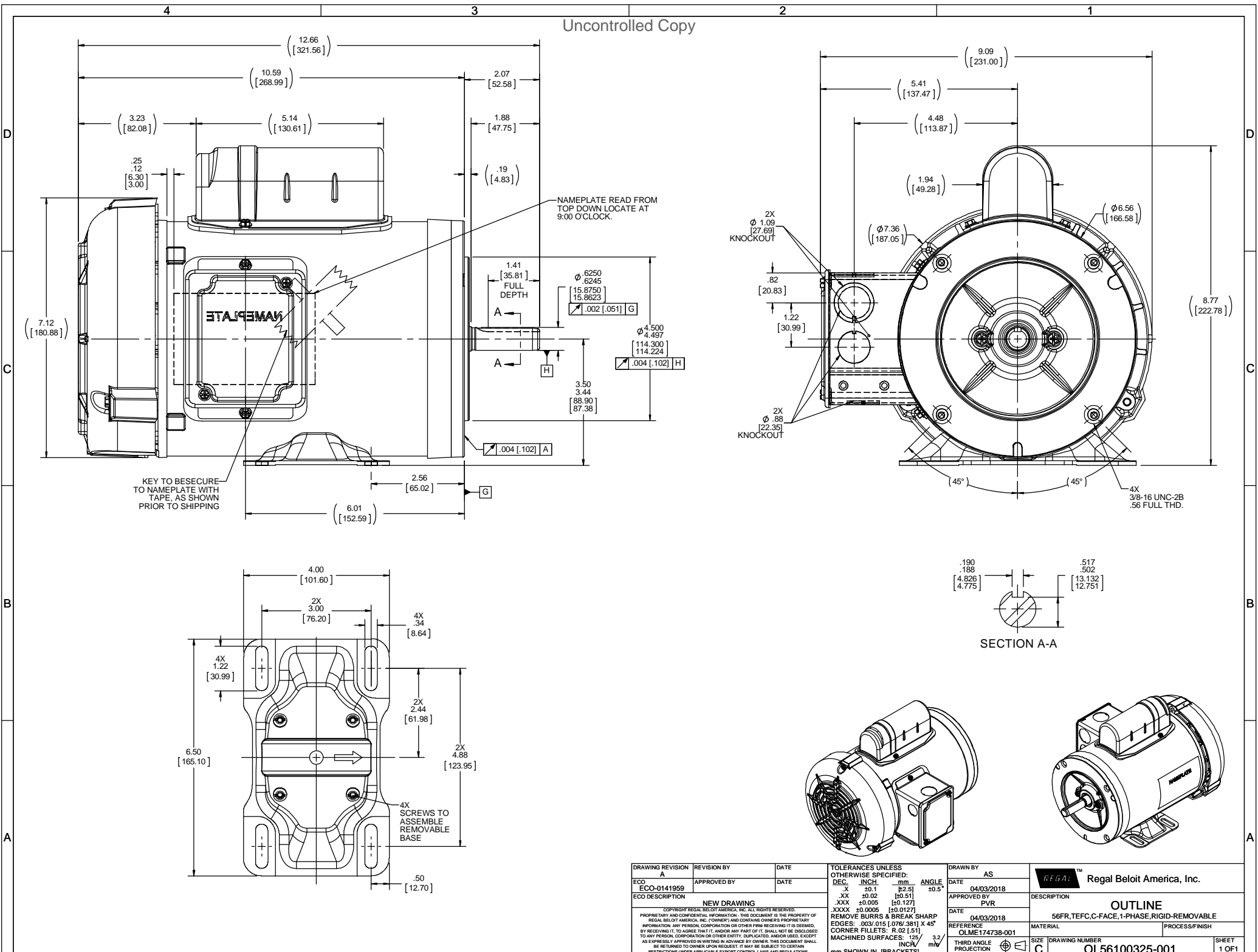
Nameplate Specifications

Output HP	.5 Hp	Output KW	0.37 kW
Frequency	60 Hz	Voltage	115/208-230 V
Current	7/3.5-3.5 A	Speed	1725 rpm
Service Factor	1.15	Phase	1
Duty	Continuous	Insulation Class	B
Frame	56C	Enclosure	Totally Enclosed Fan Cooled
Thermal Protection	No	Ambient Temperature	40 °C
UL	Recognized	CSA	Y
CE	Y		

Technical Specifications

Electrical Type	Capacitor Start Induction Run	Starting Method	Across The Line
Poles	4	Rotation	Selective Counterclockwise
Mounting	Rigid Base	Drive End Bearing	Ball
Opp Drive End Bearing	Ball	Frame Material	Rolled Steel
Shaft Type	NEMA 56	Overall Length	12.66 in
Frame Length	7.15 in	Shaft Diameter	0.625 in
Shaft Extension	2.07 in		

This is an uncontrolled document once printed or downloaded and is subject to change without notice. Date Created:30/10/2019



DRAWING REVISION A		REVISION BY	DATE	TOLERANCES UNLESS OTHERWISE SPECIFIED:		DRAWN BY AS		Regal Beloit America, Inc.	
ECO-0141959		APPROVED BY	DATE	DEC.	INCH	mm	ANGLE		DATE 04/03/2018
ECO DESCRIPTION		NEW DRAWING		.X	±0.1	[±2.5]	±0.5°	APPROVED BY PVR	
COPYRIGHT REGAL BELOIT AMERICA, INC. ALL RIGHTS RESERVED. PROPRIETARY AND CONFIDENTIAL INFORMATION. THIS DOCUMENT IS THE PROPERTY OF REGAL BELOIT AMERICA, INC. FORMERLY AND CONTAINING OWNERS PROPRIETARY INFORMATION. ANY PERSON, CORPORATION OR OTHER FIRM RECEIVING IT IS DEEMED BY RECEIVING IT, TO AGREE THAT IT, AND/OR ANY PART OF IT, SHALL NOT BE DISCLOSED TO ANY PERSON, CORPORATION OR OTHER ENTITY, DUPLICATED, AND/OR USED, EXCEPT AS EXPRESSLY APPROVED IN WRITING IN ADVANCE BY OWNER. THIS DOCUMENT SHALL BE RETURNED TO OWNER UPON REQUEST. IT MAY BE SUBJECT TO CERTAIN RESTRICTIONS UNDER APPLICABLE EXPORT CONTROL LAWS AND REGULATIONS.				.XXX		±0.005	[±0.127]	DATE 04/03/2018	
				.XXXX		±0.0005	[±0.0127]	REFERENCE OLME174738-001	
				REMOVE BURRS & BREAK SHARP EDGES: .0031 [0.0787/381] X 45° CORNER FILLETS: R.02 [51]		MACHINED SURFACES: 125 / 3.2 / mm SHOWN IN [BRACKETS]		THIRD ANGLE PROJECTION	MATERIAL SIZE DRAWING NUMBER DESCRIPTION 56FR, TEFC, C-FACE, 1-PHASE, RIGID-REMOVABLE
								PROCESS/FINISH SIZE DRAWING NUMBER DESCRIPTION OL56100325-001	
								SHEET 1 OF 1	