

PRODUCT INFORMATION PACKET



Model No: C693V1

Catalog No: C693V1

1.5 HP General Purpose Motor, 1 phase, 1800 RPM, 115/208-230 V, 56H Frame, TEFC
Single Phase TEFC Motors



Regal and Century are trademarks of Regal Beloit Corporation or one of its affiliated companies.

©2019 Regal Beloit Corporation, All Rights Reserved. MC017097E

The REGAL logo consists of the word 'REGAL' in a bold, white, sans-serif font, set against a dark grey rectangular background with a slight shadow effect.

REGAL



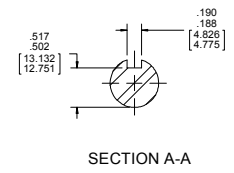
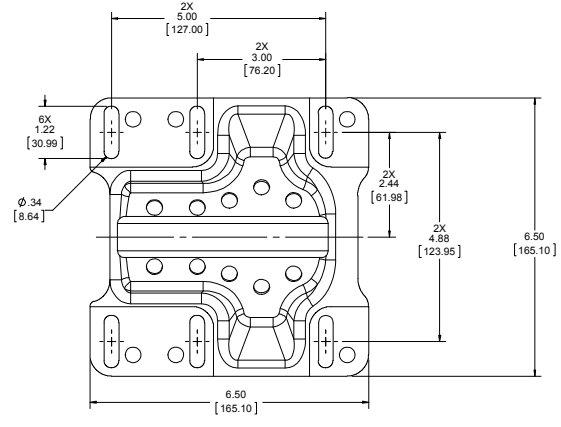
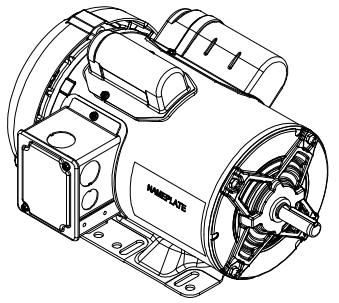
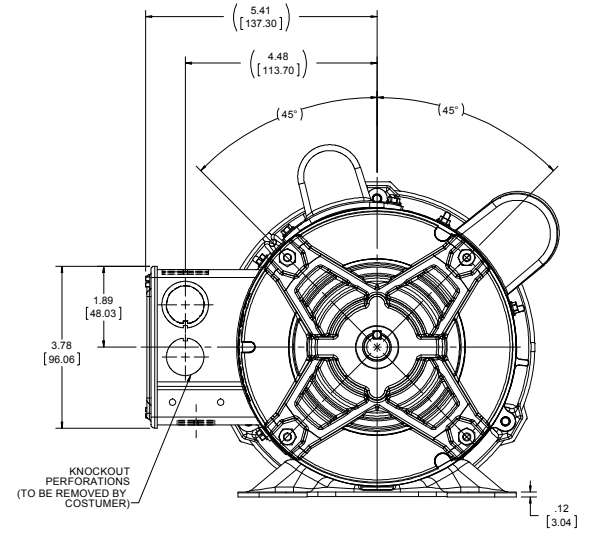
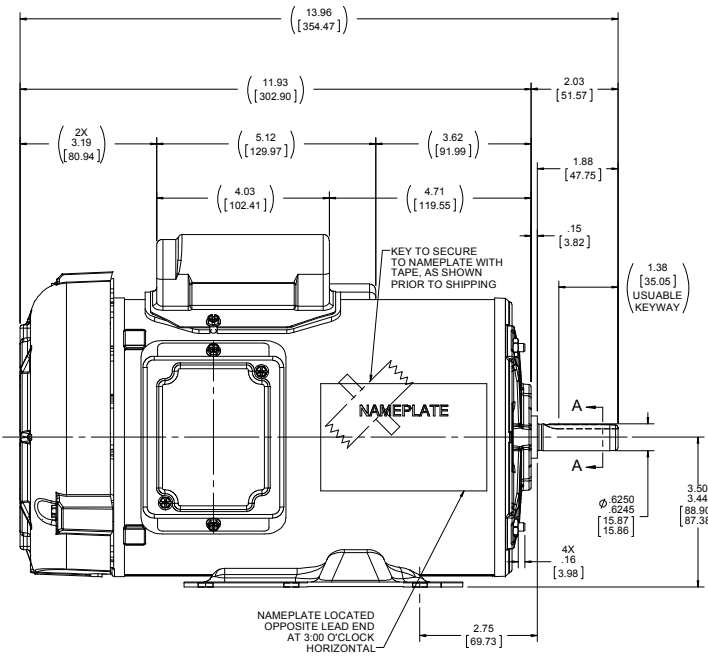
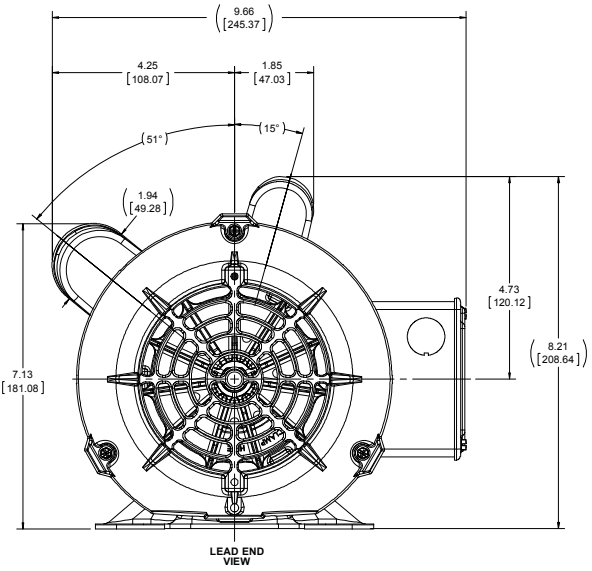
Nameplate Specifications

Output HP	1.5 Hp	Output KW	1.1 kW
Frequency	60 Hz	Voltage	115/208-230 V
Current	15.0/7.8-7.5 A	Speed	1725 rpm
Service Factor	1.15	Phase	1
Duty	Continuous	Insulation Class	B
Frame	56H	Enclosure	Totally Enclosed Fan Cooled
Thermal Protection	No	Ambient Temperature	40 °C
UL	Recognized	CSA	Y
CE	Y		

Technical Specifications

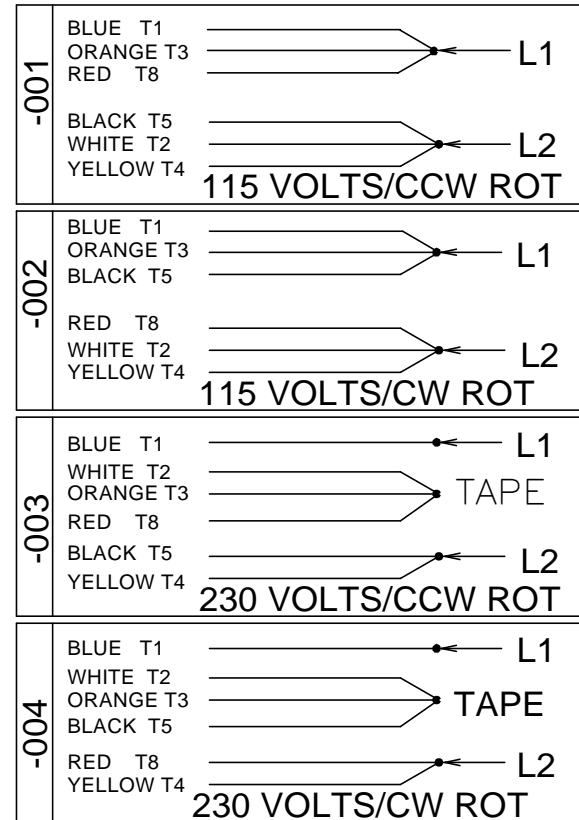
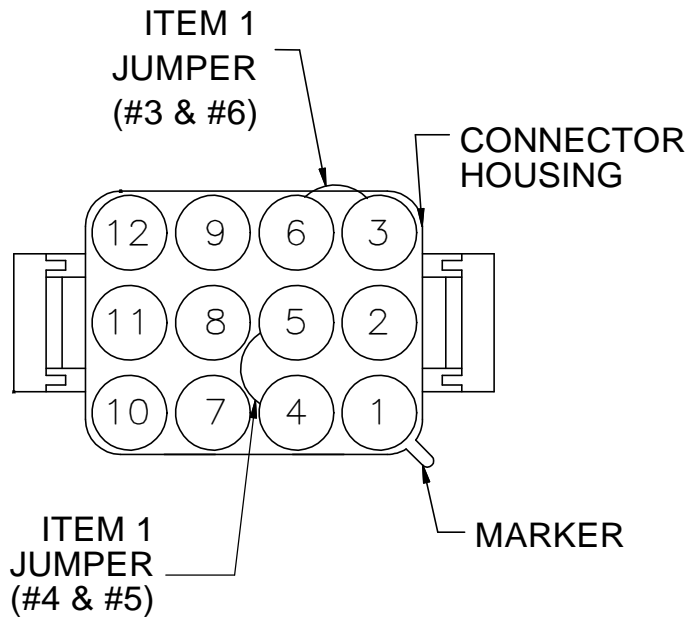
Electrical Type	Shaded Pole	Starting Method	Across The Line
Poles	4	Rotation	Selective Counterclockwise
Mounting	Rigid Base	Drive End Bearing	Ball
Opp Drive End Bearing	Ball	Frame Material	Rolled Steel
Shaft Type	NEMA 56	Overall Length	13.96 in
Frame Length	8.65 in	Shaft Diameter	0.625 in
Shaft Extension	2.03 in		

This is an uncontrolled document once printed or downloaded and is subject to change without notice. Date Created:30/10/2019



DRAWING REVISION B		REVISION BY PVR	DATE 07-30-19	TOLERANCES UNLESS OTHERWISE SPECIFIED:		DRAWN BY DS		Regal Beloit America, Inc.	
ECO-0177032	APPROVED BY PVR	DATE 07-30-19	ASST. JACK	ANGLES	DATE 06/29/2018	DESCRIPTION	OUTLINE		
ECO DESCRIPTION				XXX .051 [1.30]	APPROVED BY SN	DATE 06/29/2018	MATERIAL 145FR,TPCC,NGID-1-PHASE		
UPDATED BASE LOCATION TO SLOT				XXXX .05005 [12.612]	DATE 06/29/2018	CLINE 180501	SIZE	DRAWING NUMBER	PROCESS/FINISH
REGAL BELOIT AMERICA, INC. COMPANY AND CUSTOMER PROPERTY INFORMATION				FINISH SURFACES & SHARP EDGES: 0.001 (0.0254) X 45°	THIRD ANGLE PROJECTION	SIZE D	DRAWING NUMBER	PROCESS/FINISH	
REGAL BELOIT AMERICA, INC. COMPANY AND CUSTOMER PROPERTY INFORMATION				CORNER FILLETS: R.01 (0.254)	THIRD ANGLE PROJECTION	SIZE D	DRAWING NUMBER	PROCESS/FINISH	
REGAL BELOIT AMERICA, INC. COMPANY AND CUSTOMER PROPERTY INFORMATION				MACHINED SURFACES: 1/20	THIRD ANGLE PROJECTION	SIZE D	DRAWING NUMBER	PROCESS/FINISH	
REGAL BELOIT AMERICA, INC. COMPANY AND CUSTOMER PROPERTY INFORMATION				FINISH SHOWN IN BRACKETS	THIRD ANGLE PROJECTION	SIZE D	DRAWING NUMBER	PROCESS/FINISH	
							OL56100474-001	SHEET 1 OF 1	

CONNECTIONS SHOWN ARE FOR CCW ROTATION, TO REVERSE, INTERCHANGE RED AND BLACK LEADS.



DD10106-001

PLATE: 41365

SLOT: 22

DRAWING REVISION A		REVISION BY G. RODRIGUEZ	DATE 10-04-2017	TOLERANCES UNLESS OTHERWISE SPECIFIED: DEC. INCH mm ANGLE .X ±0.1 [±2.5] ±0.5° .XX ±0.01 [±0.25] .XXX ±0.005 [±0.127] .XXXX ±0.0005 [±0.0127] REMOVE BURRS & BREAK SHARP EDGES: .003/.015 [076/381] X 45° CORNER FILLETS: R.02 [51] MACHINED SURFACES: .125 $\sqrt{\text{mm}}$ 3.2 $\sqrt{\text{mm}}$ mm SHOWN IN [BRACKETS]	DRAWN BY G. RODRIGUEZ	Regal Beloit America, Inc.	
ECO		APPROVED BY J. A. MORENO	DATE 10-04-2017		DATE 10-04-2017		
ECO DESCRIPTION NEW RELEASE				APPROVED BY J. A. MORENO	DESCRIPTION CONN DIAGRAM-NAMEPLATE	DATE 10-04-2017	
<small>COPYRIGHT REGAL BELOIT AMERICA, INC. ALL RIGHTS RESERVED. PROPRIETARY AND CONFIDENTIAL INFORMATION - THIS DOCUMENT IS THE PROPERTY OF REGAL BELOIT AMERICA, INC. ('OWNER') AND CONTAINS OWNER'S PROPRIETARY INFORMATION. ANY PERSON, CORPORATION OR OTHER FIRM RECEIVING IT IS DEEMED, BY RECEIVING IT, TO AGREE THAT IT, AND/OR ANY PART OF IT, SHALL NOT BE DISCLOSED TO ANY PERSON, CORPORATION OR OTHER ENTITY, DUPLICATED, AND/OR USED, EXCEPT AS EXPRESSLY APPROVED IN WRITING IN ADVANCE BY OWNER. THIS DOCUMENT SHALL BE RETURNED TO OWNER UPON REQUEST, IT MAY BE SUBJECT TO CERTAIN RESTRICTIONS UNDER APPLICABLE EXPORT CONTROL LAWS AND REGULATIONS.</small>				REFERENCE	MATERIAL	PROCESS/FINISH	
				THIRD ANGLE PROJECTION	SIZE B	DRAWING NUMBER DD10106-001	SHEET 1 OF 1