

# PRODUCT INFORMATION PACKET



Model No: C692V1  
Catalog No: C692V1  
1.0 HP Fan and Blower HVAC/R Motor, 1 phase, 1800 RPM, 115/208-230 V, 56 Frame, ODP  
Self Cooled Motors



Regal and Century are trademarks of Regal Beloit Corporation or one of its affiliated companies.  
©2019 Regal Beloit Corporation, All Rights Reserved. MC017097E





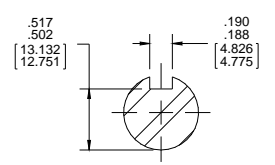
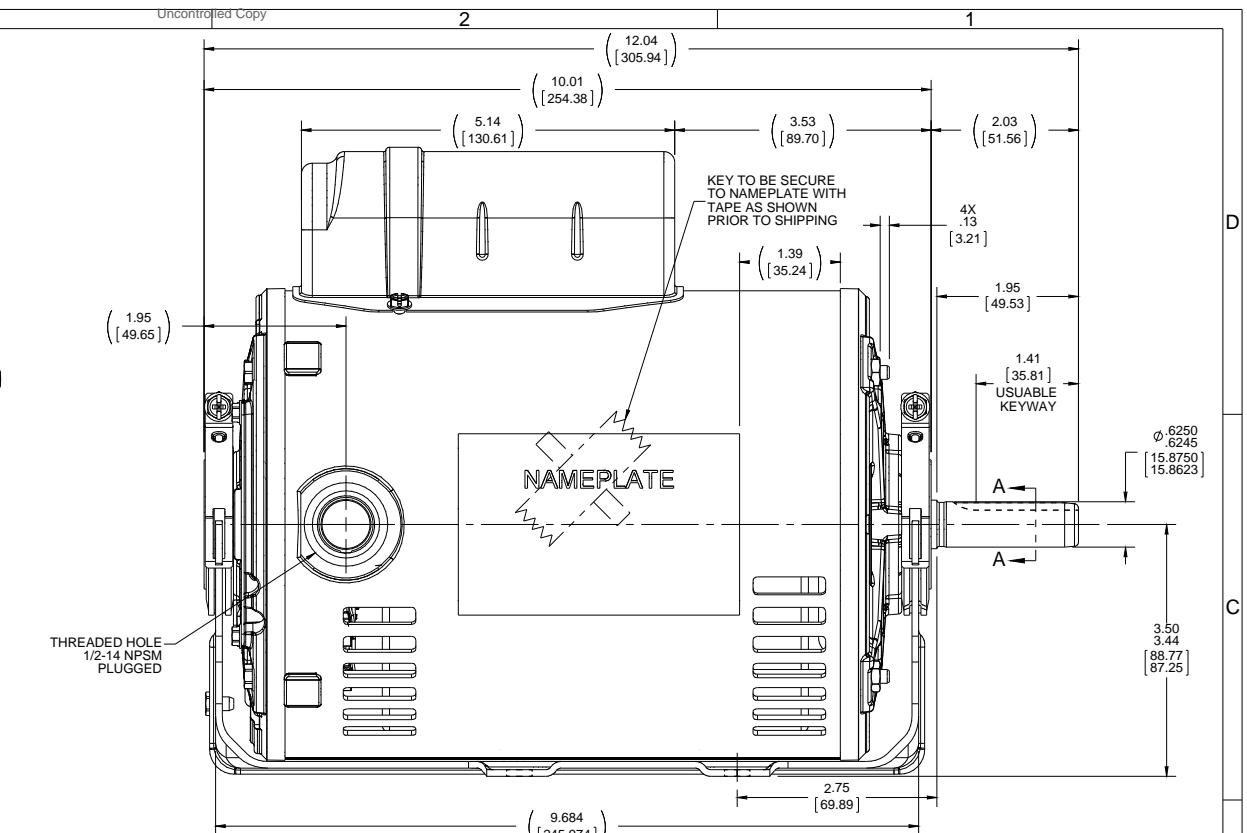
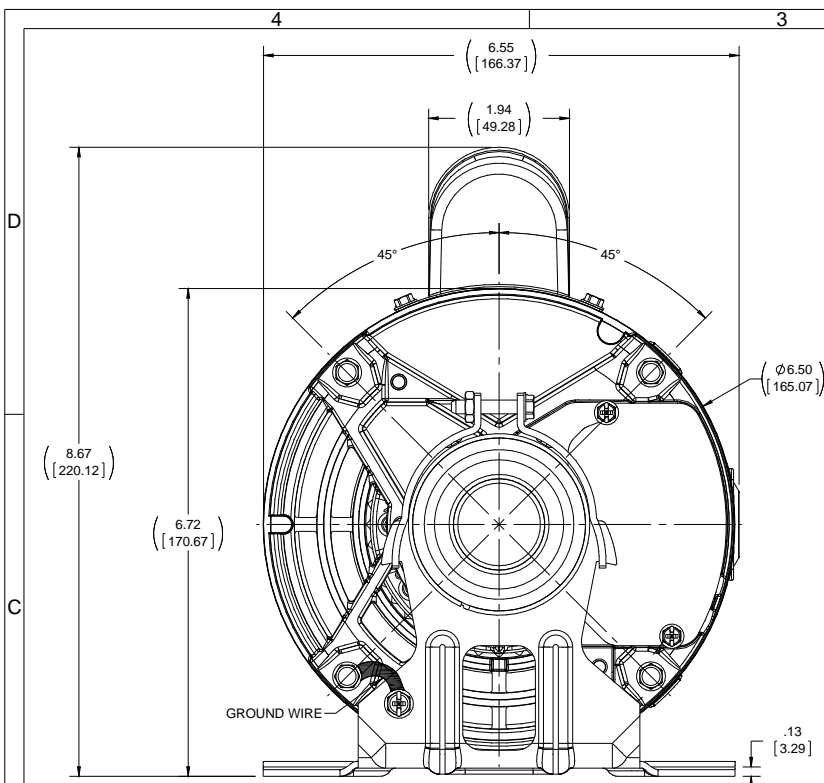
**Nameplate Specifications**

Output HP	<b>1.0 Hp</b>	Output KW	<b>0.75 kW</b>
Frequency	<b>60 Hz</b>	Voltage	<b>115/208-230 V</b>
Current	<b>13.2/6.6-6.6 A</b>	Speed	<b>1725 rpm</b>
Service Factor	<b>1.25</b>	Phase	<b>1</b>
Duty	<b>Continuous</b>	Insulation Class	<b>B</b>
Frame	<b>56</b>	Enclosure	<b>Drip Proof</b>
Thermal Protection	<b>Thermally Protected</b>	Ambient Temperature	<b>40 °C</b>
UL	<b>Recognized</b>	CSA	<b>Y</b>
CE	<b>Y</b>		

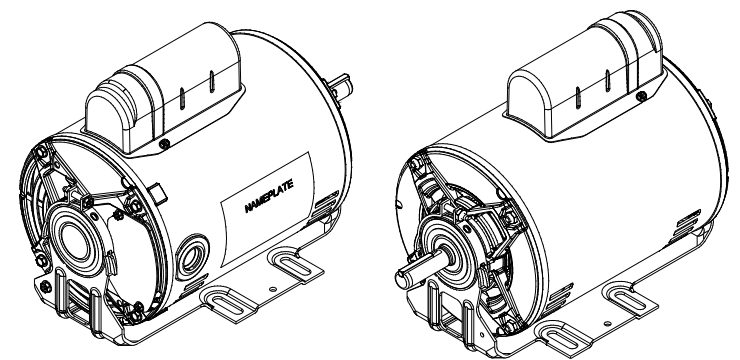
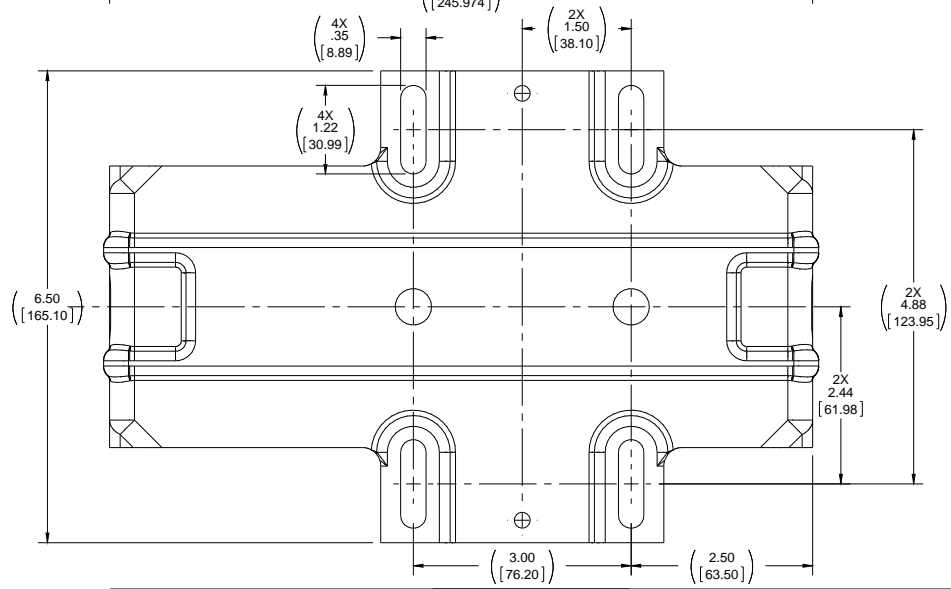
**Technical Specifications**

Electrical Type	<b>Capacitor Start Induction Run</b>	Starting Method	<b>Across The Line</b>
Poles	<b>4</b>	Rotation	<b>Selective Counterclockwise</b>
Mounting	<b>Resilient Base</b>	Drive End Bearing	<b>Ball</b>
Opp Drive End Bearing	<b>Ball</b>	Frame Material	<b>Rolled Steel</b>
Shaft Type	<b>NEMA 56</b>	Overall Length	<b>12.04 in</b>
Frame Length	<b>7.65 in</b>	Shaft Diameter	<b>0.625 in</b>
Shaft Extension	<b>1.88 in</b>		

This is an uncontrolled document once printed or downloaded and is subject to change without notice. Date Created:30/10/2019



SECTION A-A



DRAWING REVISION A	REVISION BY J.RUIZ	DATE 06-27-2016	TOLERANCES UNLESS OTHERWISE SPECIFIED: DEC. INCH mm ANGLE .X ±0.1 [±2.5] ±0.5° .XX ±0.03 [±0.76] .XXX ±0.005 [±0.127] .XXXX ±0.0005 [±0.0127] REMOVE BURRS & BREAK SHARP EDGES: .003 (0.15) [0.76] X 45° CORNER FILLETS: R.02 [51] MACHINED SURFACES: .125 / 3.2 INCH V mm ✓ mm SHOWN IN [BRACKETS]	DRAWN BY J.RUIZ	DATE 06-27-2016	REGAL™ Regal Beloit America, Inc.
ECO ECO-0104439	APPROVED BY J.ORTEGA	DATE 06-27-2016	NEW MODEL RELEASE COPYRIGHT REGAL BELOIT AMERICA, INC. ALL RIGHTS RESERVED. PROPRIETARY AND CONFIDENTIAL INFORMATION. THIS DOCUMENT IS THE PROPERTY OF REGAL BELOIT AMERICA, INC. (OWNER) AND CONTAINS OWNER'S PROPRIETARY INFORMATION. ANY PERSON, CORPORATION OR OTHER FIRM RECEIVING IT IS DEEMED, BY RECEIVING IT, TO AGREE THAT IT, AND/OR ANY PART OF IT, SHALL NOT BE DISCLOSED TO ANY PERSON, CORPORATION OR OTHER ENTITY, DUPLICATED, AND/OR USED, EXCEPT AS EXPRESSLY APPROVED IN WRITING IN ADVANCE BY OWNER. THIS DOCUMENT SHALL BE RETURNED TO OWNER UPON REQUEST. IT MAY BE SUBJECT TO CERTAIN RESTRICTIONS UNDER APPLICABLE EXPORT CONTROL LAWS AND REGULATIONS.	APPROVED BY J.ORTEGA	DATE 06-27-2016	DESCRIPTION OUTLINE 56FR, DP, 1-PHASE
REFERENCE C692			MATERIAL	PROCESS/FINISH	THIRD ANGLE PROJECTION	SHEET 1 OF 1
DRAWING NUMBER OL56100130-001			DRAWING NUMBER OL56100130-001			

**CERTIFICATION DATA SHEET**

**CUSTOMER  
PO #:**

**CUSTOMER:**  
**ORDER #:**

**CUSTOMER PART  
#:**

**CONN. DIAGRAM:** CDCD101  
**OUTLINE:** OL56100130-001  
**WINDING #:** NC56412 3A

**MOUNTING:** F1 ONLY

**TYPICAL MOTOR PERFORMANCE DATA**

HP	kW	SYNC. RPM	F.L. RPM	FRAME	ENCLOSURE	KVA CODE	DESIGN
1	0.75	1800	1725	56	DP	K	NO DESIGN CODE

PH	Hz	VOLTS	AMPS	START TYPE	DUTY	INSL	S.F.	AMB°C
1	60	115/208-230	13.2/6.6-6.6	ACROSS THE LINE	CONTINUOUS	B3	1.25	40

<b>FULL LOAD EFF:</b>	74	<b>3/4 LOAD EFF:</b>	76.1	<b>1/2 LOAD EFF:</b>	73.8	<b>GTD. EFF</b>		<b>ELEC. TYPE</b>
<b>FULL LOAD PF:</b>	67	<b>3/4 LOAD PF:</b>	57.3	<b>1/2 LOAD PF:</b>	44.2	70		CAP START IND RUN

F.L. TORQUE	LOCKED ROTOR AMPS	L.R. TORQUE	B.D. TORQUE	F.L. RISE°C
3 LB-FT	74 / 37	7.56 LB-FT	252.08 %	7.98 LB-FT
				266.1 %
				0

SOUND PRESSURE @ 3 FT.	SOUND POWER	ROTOR WK^2	MAX. WK^2	SAFE STALL TIME	STARTS / HOUR	APPROX. MOTOR WGT
0 DBA	10 DBA	0 LB-FT^2	0 LB-FT^2	0 SEC.	0	0 LBS.

**\*\*\* SUPPLEMENTAL INFORMATION \*\*\***

DE BRACKET TYPE	ODE BRACKET TYPE	MOUNT TYPE	ORIENTATION	SEVERE DUTY	HAZARDOUS LOCATION	DRIP COVER	SCREENS	PAINT
STANDARD	STANDARD	RESILIENT BASE	HORIZONTAL	FALSE	NONE	FALSE	NONE	GRAY (POWDER)

BEARINGS	GREASE	SHAFT TYPE	SPECIAL DE	SPECIAL ODE	SHAFT MATERIAL	FRAME MATERIAL
DE ODE						
BALL BALL	POLYREX EM	STANDARD 56	NONE	NONE	AISI 1215 (MS1000)	ROLLED STEEL
6203	6203					

THERMO-PROTECTORS				THERMISTORS		CONTROL		SPACE HEATERS	
THERMOSTATS	PROTECTORS	WDG RTDS	BRG RTDS						
NONE	AUTOMATIC	NONE	NONE	NONE	FALSE	NONE	NONE	NONE	VOLTS

**INVERTER TORQUE:** NONE  
**INV. HP SPEED RANGE:** NONE

<b>ENCODER:</b>	NONE
NONE	NONE
NONE	PPR
<b>BRAKE:</b>	NONE
NONE	P/N NONE
NONE	NONE
NONE	FT-LB
NONE	NONE V
NONE	NONE
NONE	Hz

\*

**PREPARED BY:** Bhargavi Dontham  
**DATE:** 08/27/2018 04:17:57 AM  
**FORM 3531 REV.3 02/07/99**  
\*\* Subject to change without notice.

**CENTURY**

TYPICAL PERFORMANCE CURVE for AC MOTOR

Customer WW Grainger

Curve at

230

Volts

HP 1

PHASE 1

Model No C692V1

60

HZ

VOLTS 115/208-230

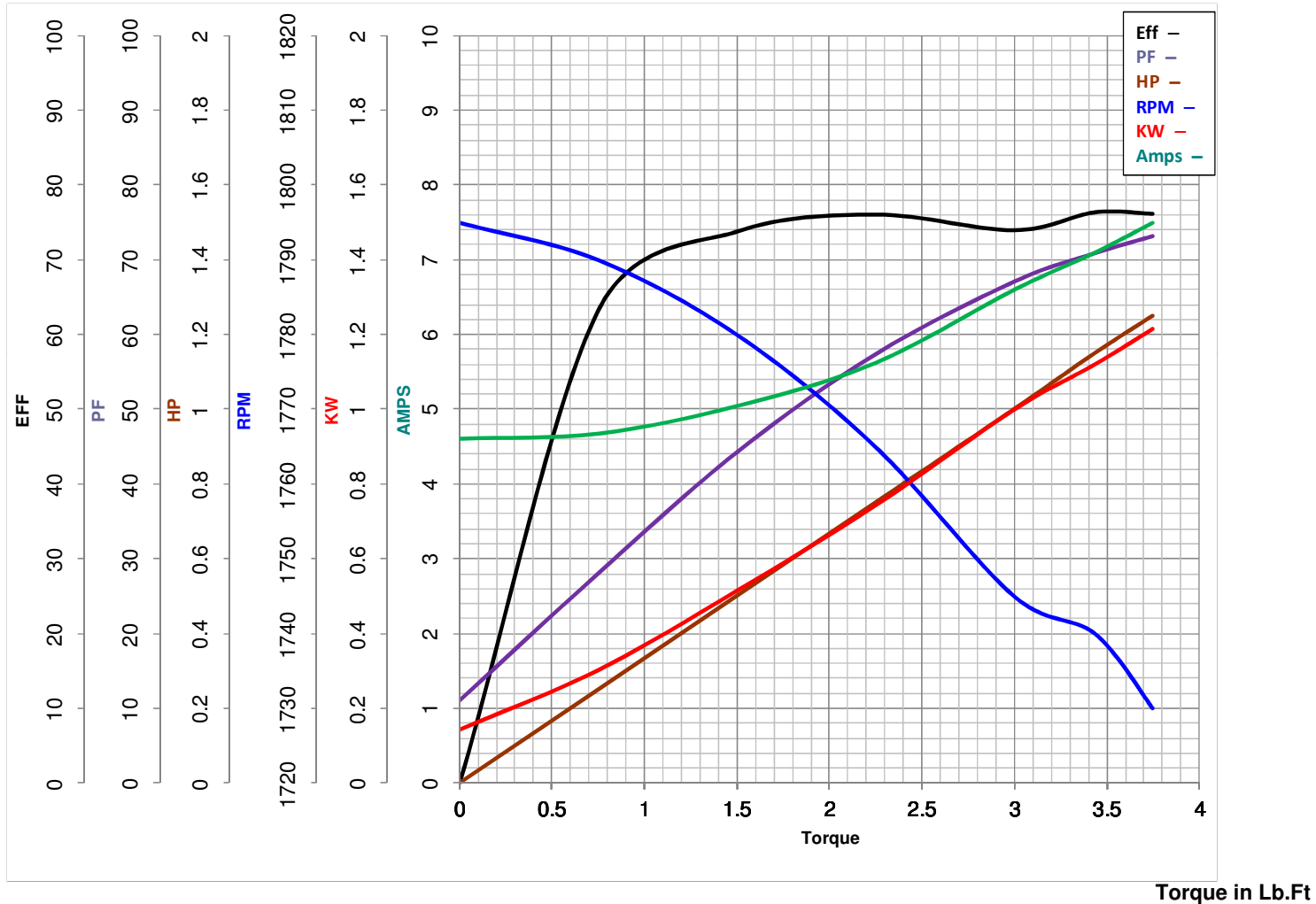
1

HP

Catalog No C692V1

HZ 60

RPM 1725



FL TORQUE	<u>3</u>	Lb.Ft	FL AMPS	<u>13.2/6.6-6.6</u>
BD TORQUE	<u>8.0</u>	Lb.Ft	PU TORQUE	<u>7.0</u> Lb.Ft
LR TORQUE	<u>7.56</u>	Lb.Ft	LR AMPS	<u>37</u>
WINDING	NC56412-3	Prepared By	BHARGAVI	Date
				8/27/2018