

PRODUCT INFORMATION PACKET



Model No: C688ES
Catalog No: C688ES
1.5 HP General Purpose Motor, 1 phase, 1800 RPM, 115/208-230 V, 56H Frame, ODP
Single Phase ODP Motors



Regal and Century are trademarks of Regal Beloit Corporation or one of its affiliated companies.
©2019 Regal Beloit Corporation, All Rights Reserved. MC017097E

The REGAL logo consists of the word 'REGAL' in a bold, white, sans-serif font, set against a dark grey rectangular background with a slight shadow effect.

REGAL



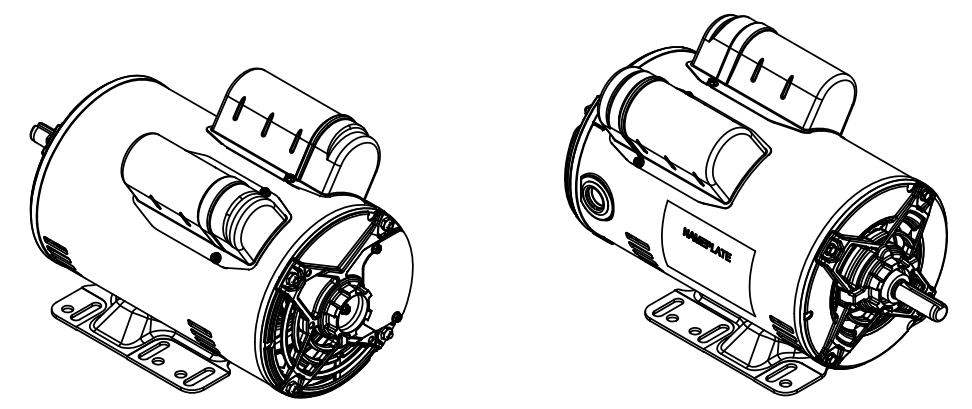
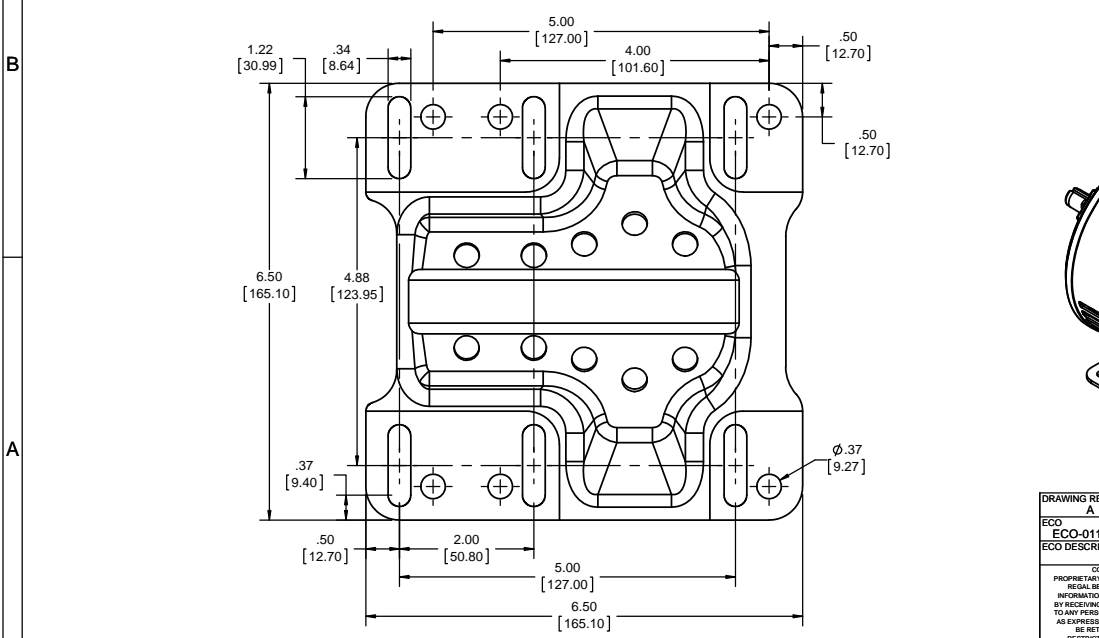
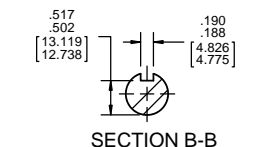
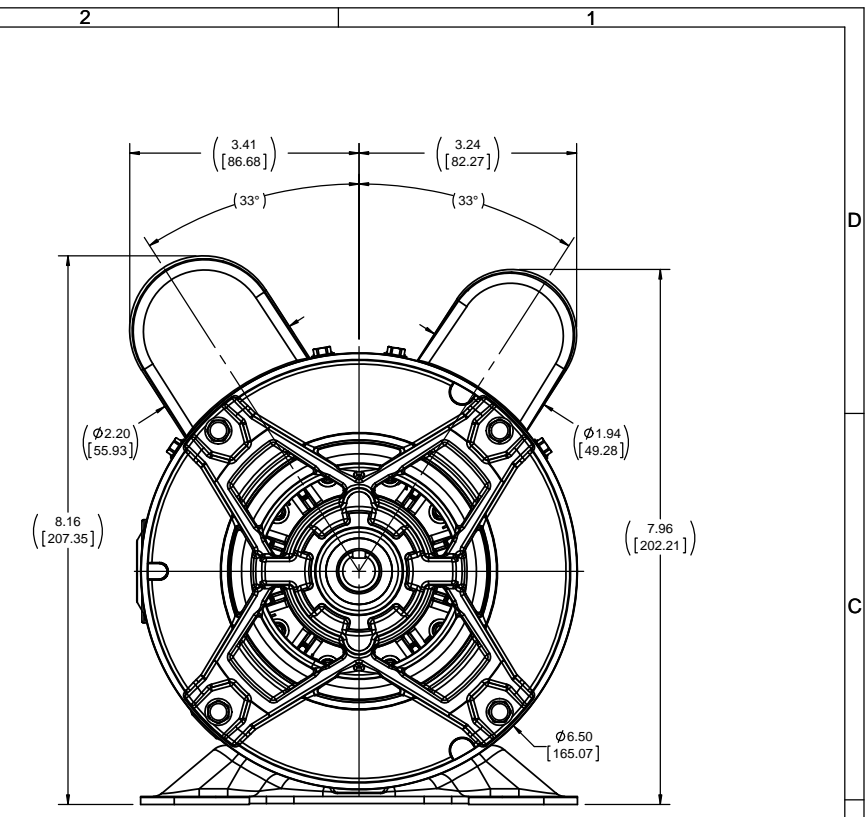
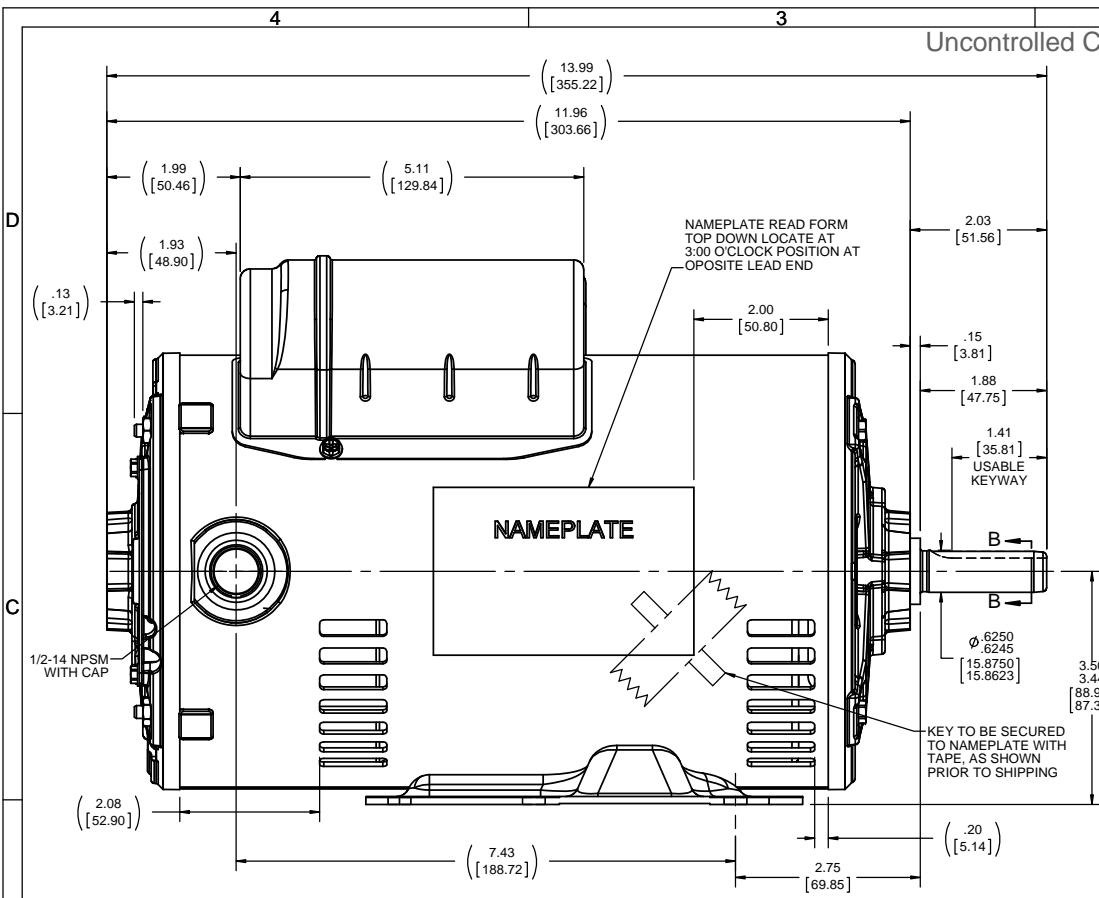
Nameplate Specifications

Output HP	1.5 Hp	Output KW	1.1 kW
Frequency	60 Hz	Voltage	115/208-230 V
Current	12.6/6.4-6.3 A	Speed	1725 rpm
Service Factor	1.2	Phase	1
Duty	Continuous	Insulation Class	B
Frame	56H	Enclosure	Drip Proof
Thermal Protection	Thermally Protected	Ambient Temperature	40 °C
UL	Recognized	CSA	Y
CE	Y		

Technical Specifications

Electrical Type	Shaded Pole	Starting Method	Across The Line
Poles	4	Rotation	Selective Counterclockwise
Mounting	Rigid base	Drive End Bearing	Ball
Opp Drive End Bearing	Ball	Frame Material	Rolled Steel
Shaft Type	NEMA 56	Overall Length	13.99 in
Frame Length	6.75 in	Shaft Diameter	0.625 in
Shaft Extension	1.88 in		

This is an uncontrolled document once printed or downloaded and is subject to change without notice. Date Created:30/10/2019



DRAWING REVISION A		REVISION BY	DATE	TOLERANCES UNLESS OTHERWISE SPECIFIED:		DRAWN BY R.ZAMARRON	Regal Beloit America, Inc.
ECO-0114803	APPROVED BY	DATE	DEC.	INCH	mm	ANGLE	
ECO DESCRIPTION NEW MODEL RELEASE				.X	±0.1	[±2.5]	APPROVED BY
<small>COPYRIGHT REGAL BELOIT AMERICA, INC. ALL RIGHTS RESERVED. PROPRIETARY AND CONFIDENTIAL INFORMATION - THIS DOCUMENT IS THE PROPERTY OF REGAL BELOIT AMERICA, INC. FORMERLY AND CONTAINS OWNER'S PROPRIETARY INFORMATION. ANY PERSON, CORPORATION OR OTHER FIRM RECEIVING IT IS DEEMED, BY RECEIVING IT, TO AGREE THAT IT, AND/OR ANY PART OF IT, SHALL NOT BE DISCLOSED TO ANY PERSON, CORPORATION OR OTHER ENTITY, DUPLICATED, AND/OR USED, EXCEPT AS EXPRESSLY APPROVED IN WRITING IN ADVANCE BY OWNER. THIS DOCUMENT SHALL BE RETURNED TO OWNER UPON REQUEST. IT MAY BE SUBJECT TO CERTAIN RESTRICTIONS UNDER APPLICABLE EXPORT CONTROL LAWS AND REGULATIONS.</small>				.XX	±0.03	[±0.76]	DATE
				.XXX	±0.005	[±0.127]	REFERENCE
				.XXXX	±0.0005	[±0.0127]	MATERIAL
				MACHINED SURFACES: 125 / 32		THIRD ANGLE PROJECTION	DESCRIPTION OUTLINE 56FR, DP, 1-PHASE
				mm SHOWN IN [BRACKETS]		SIZE	PROCESS FINISH
						DRAWING NUMBER OL56100225-001	SHEET 1 OF 1