

# PRODUCT INFORMATION PACKET



Model No: C686V1  
Catalog No: C686V1

1.5 HP General Purpose Motor, 1 phase, 1800 RPM, 115/208-230 V, 56H Frame, TEFC  
Single Phase TEFC Motors



Regal and Century are trademarks of Regal Beloit Corporation or one of its affiliated companies.  
©2019 Regal Beloit Corporation, All Rights Reserved. MC017097E

The REGAL logo is a grey rectangular box with the word 'REGAL' in white, bold, uppercase letters. It is positioned on a blue and black halftone background that runs vertically down the right side of the page.

REGAL



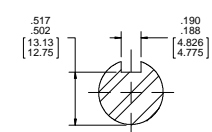
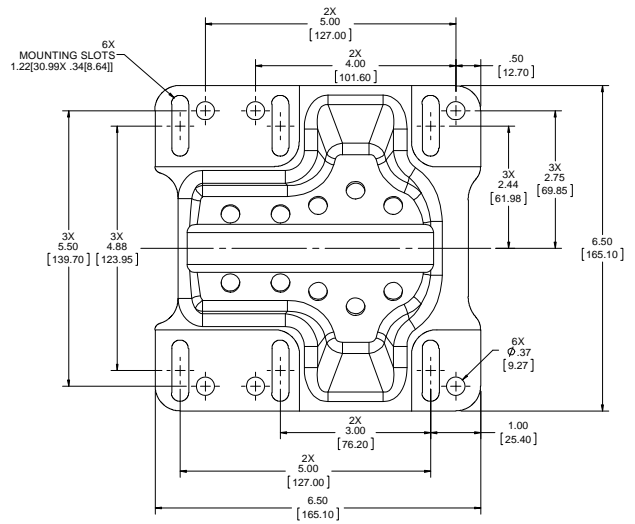
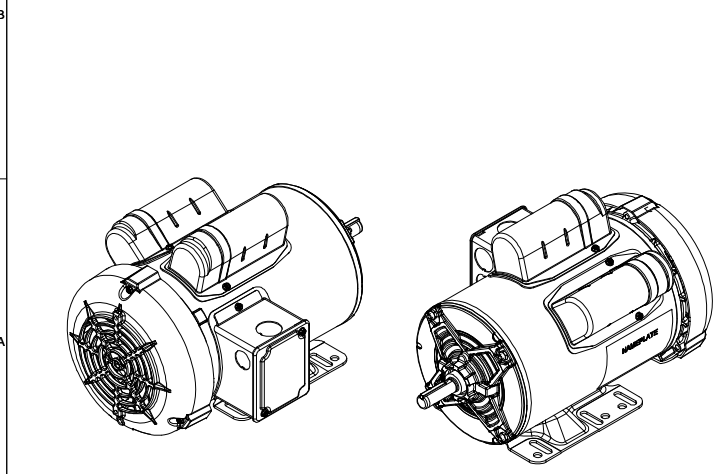
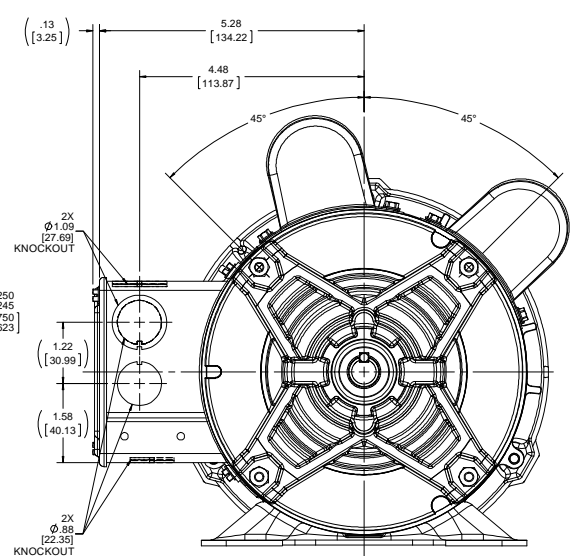
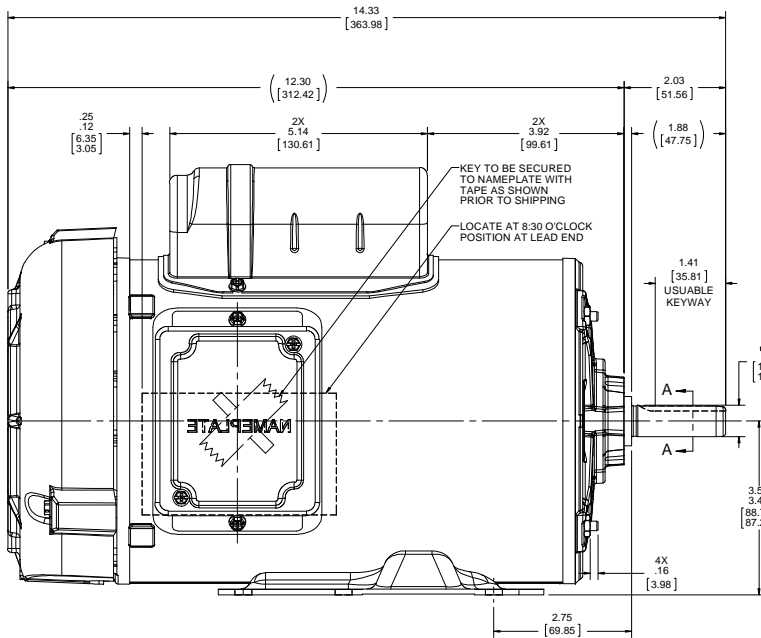
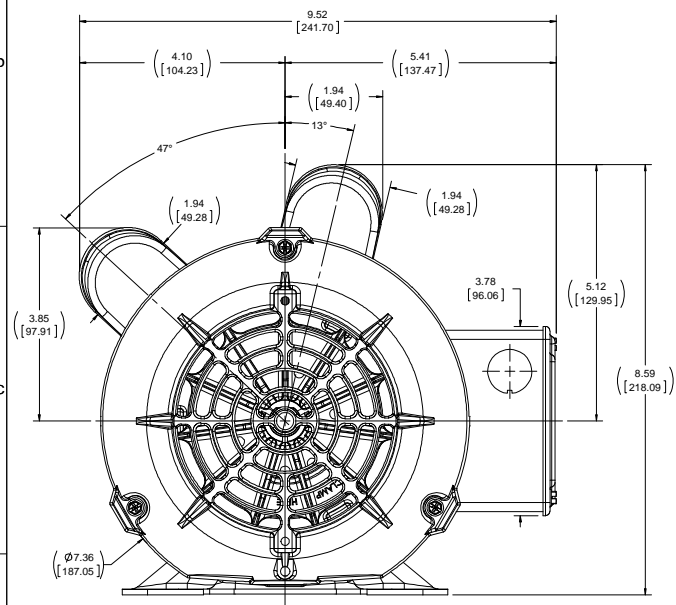
**Nameplate Specifications**

Output HP	<b>1.5 Hp</b>	Output KW	<b>1.1 kW</b>
Frequency	<b>60 Hz</b>	Voltage	<b>115/208-230 V</b>
Current	<b>15.0/7.8-7.5 A</b>	Speed	<b>1725 rpm</b>
Service Factor	<b>1.15</b>	Phase	<b>1</b>
Duty	<b>Continuous</b>	Insulation Class	<b>B</b>
Frame	<b>56H</b>	Enclosure	<b>Totally Enclosed Fan Cooled</b>
Thermal Protection	<b>Thermally Protected</b>	Ambient Temperature	<b>40 °C</b>
UL	<b>Recognized</b>	CSA	<b>Y</b>
CE	<b>Y</b>		

**Technical Specifications**

Electrical Type	<b>Shaded Pole</b>	Starting Method	<b>Across The Line</b>
Poles	<b>4</b>	Rotation	<b>Selective Counterclockwise</b>
Mounting	<b>Rigid Base</b>	Drive End Bearing	<b>Ball</b>
Opp Drive End Bearing	<b>Ball</b>	Frame Material	<b>Rolled Steel</b>
Shaft Type	<b>NEMA 56</b>	Overall Length	<b>14.33 in</b>
Frame Length	<b>8.65 in</b>	Shaft Diameter	<b>0.625 in</b>
Shaft Extension	<b>1.88 in</b>		

This is an uncontrolled document once printed or downloaded and is subject to change without notice. Date Created:30/10/2019



SECTION A-A

DRAWING REVISION C	REVISION BY SHENSI	DATE 12/14/2018	TOLERANCES UNLESS OTHERWISE SPECIFIED: FRACTIONS .001 DECIMALS .001 ANGLES .001	DRAWN BY D.VALENCIANO	Regal Beloit America, Inc.
ECO-0158426	APPROVED BY D.SURYAWANSHI	DATE 12/14/2018	ANGLE X .01 XX .005 XXX .0005	DATE 06-09-2016	OUTLINE
MOTOR ASSEMBLY UPDATED			FINISHES FRACTIONAL & DECIMAL SURFACES EDGES .001(2) (2) (3) (4) 45° CORNER FILLETS R .01 (1)	APPROVED BY J.CORTEGA	DESCRIPTION 99FA,TEFC,NGDD
MATERIAL MACHINED SURFACES: 12/ 3/2 FIN SHOW IN BRACKETS			THIRD ANGLE PROJECTION	D	PROCESS FINISH
DRAWING NUMBER OL56100104-001				SHEET 1 OF 1	