

PRODUCT INFORMATION PACKET



Model No: C685V1
Catalog No: C685V1
1 HP General Purpose Motor, 1 phase, 1800 RPM, 115/208-230 V, 56 Frame, TEFC
Single Phase TEFC Motors



Regal and Century are trademarks of Regal Beloit Corporation or one of its affiliated companies.
©2019 Regal Beloit Corporation, All Rights Reserved. MC017097E

The REGAL logo consists of the word 'REGAL' in a bold, white, sans-serif font, set against a dark grey, trapezoidal background with a slight shadow effect.

REGAL



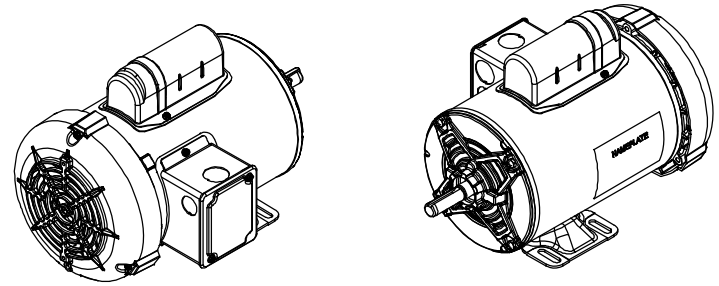
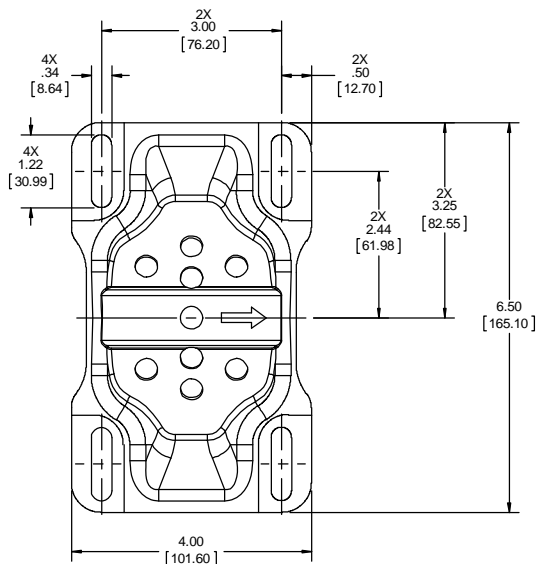
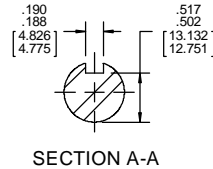
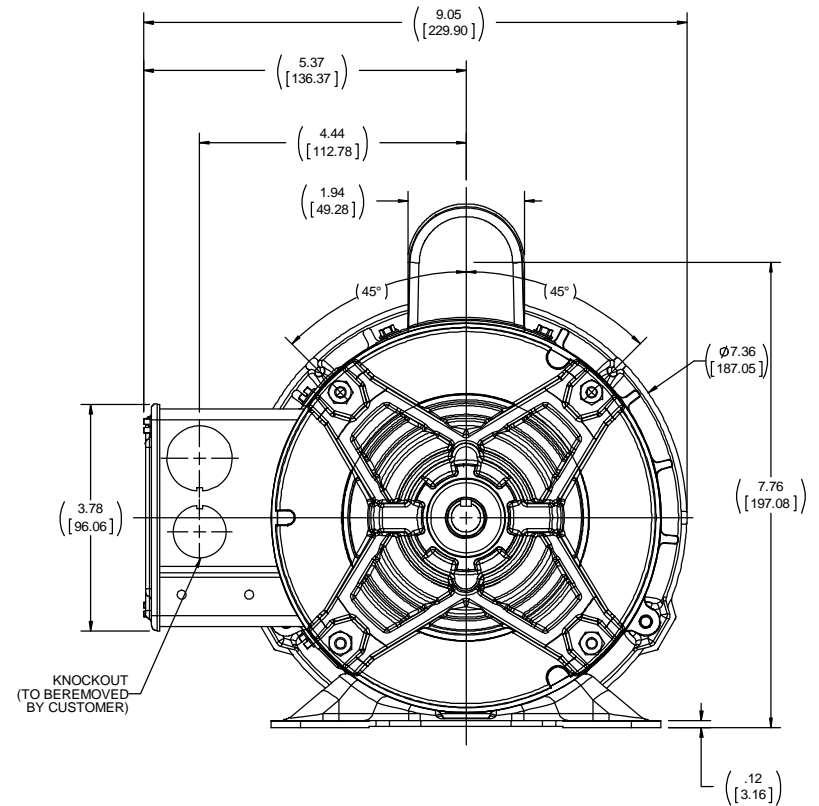
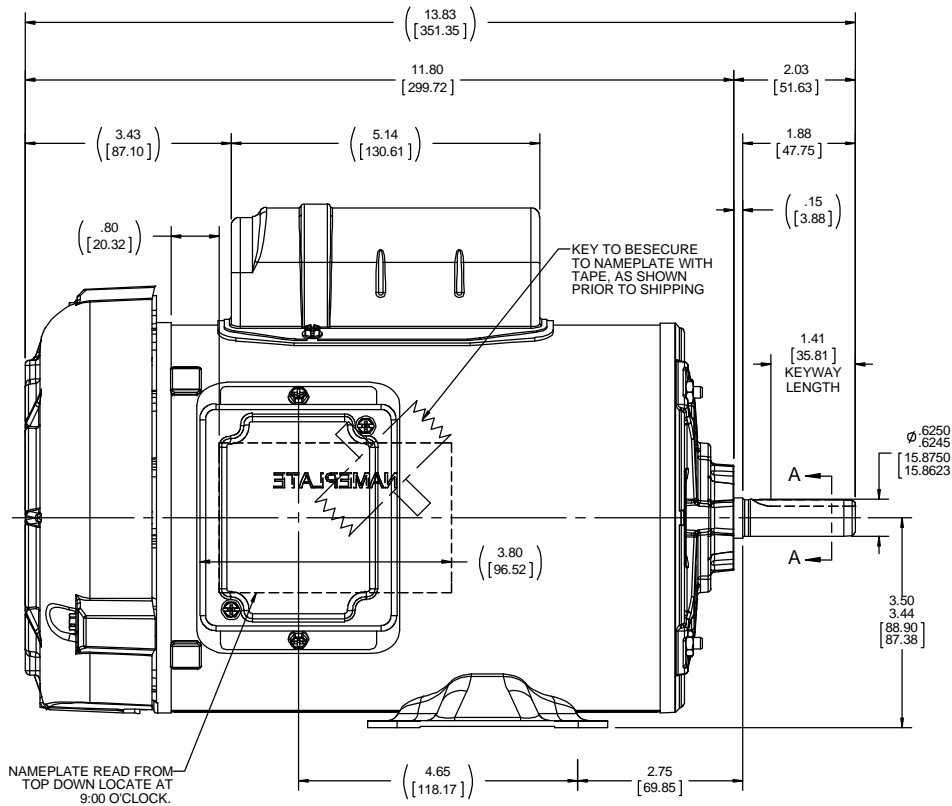
Nameplate Specifications

Output HP	1 Hp	Output KW	0.75 kW
Frequency	60 Hz	Voltage	115/208-230 V
Current	12/6.2-6 A	Speed	1725 rpm
Service Factor	1.15	Phase	1
Duty	Continuous	Insulation Class	B
Frame	56	Enclosure	Totally Enclosed Fan Cooled
Thermal Protection	Thermally Protected	Ambient Temperature	40 °C
UL	Recognized	CSA	Y
CE	Y		

Technical Specifications

Electrical Type	Capacitor Start Induction Run	Starting Method	Across The Line
Poles	4	Rotation	Selective Counterclockwise
Mounting	Rigid Base	Drive End Bearing	Ball
Opp Drive End Bearing	Ball	Frame Material	Rolled Steel
Shaft Type	NEMA 56	Overall Length	13.83 in
Frame Length	8.15 in	Shaft Diameter	0.625 in
Shaft Extension	2.03 in		

This is an uncontrolled document once printed or downloaded and is subject to change without notice. Date Created:30/10/2019



DRAWING REVISION A		REVISION BY	DATE	TOLERANCES UNLESS OTHERWISE SPECIFIED:		DRAWN BY	AS	Regal Beloit America, Inc.
ECO-0141943	APPROVED BY	DATE	DEC.	INCH	mm	ANGLE	03/29/2018	
ECO DESCRIPTION			.X	±0.1	[±2.5]	±0.5°	APPROVED BY	DESCRIPTION
NEW DRAWING			.XX	±0.02	[±0.51]		PVR	OUTLINE
COPYRIGHT REGAL BELOIT AMERICA, INC. ALL RIGHTS RESERVED. PROPRIETARY AND CONFIDENTIAL INFORMATION. THIS DOCUMENT IS THE PROPERTY OF REGAL BELOIT AMERICA, INC. FORMERLY AND CONTAINING OWNERS PROPRIETARY INFORMATION. ANY PERSON, CORPORATION OR OTHER FIRM RECEIVING IT IS DEEMED TO AGREE TO THESE TERMS AND CONDITIONS. THIS DOCUMENT SHALL BE RETURNED TO OWNER UPON REQUEST. IT MAY BE SUBJECT TO CERTAIN RESTRICTIONS UNDER APPLICABLE EXPORT CONTROL LAWS AND REGULATIONS.			.XXX	±0.005	[±0.127]		DATE	56FR, TEFC, RIGID, 1-PHASE
			.XXXX	±0.0005	[±0.0127]		REFERENCE	MATERIAL
			REMOVE BURRS & BREAK SHARP EDGES: .0031 [0.078] X 45° CORNER FILLETS: R. 02 [51]				THIRD ANGLE PROJECTION	PROCESS FINISH
			MACHINED SURFACES: 125 / 3.2 / mm SHOWN IN [BRACKETS]				SIZE	DRAWING NUMBER
							C	OL56100323-001
								SHEET 1 OF 1