

PRODUCT INFORMATION PACKET



Model No: C683V1
Catalog No: C683V1

1 HP General Purpose Farm Duty Motor, 1 phase, 1800 RPM, 115/208-230 V, 56 Frame, TEFC
Single Phase Farm Duty Motors



Regal and Century are trademarks of Regal Beloit Corporation or one of its affiliated companies.
©2019 Regal Beloit Corporation, All Rights Reserved. MC017097E

The REGAL logo is a grey, trapezoidal shape with the word 'REGAL' in white, bold, uppercase letters.

REGAL



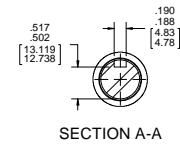
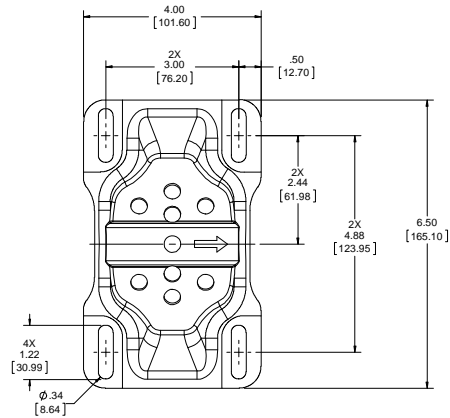
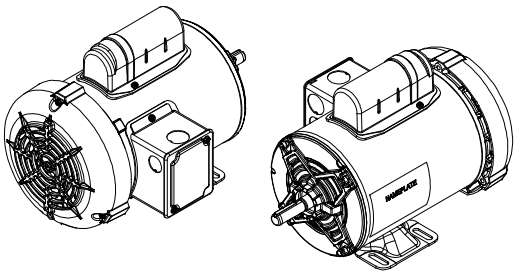
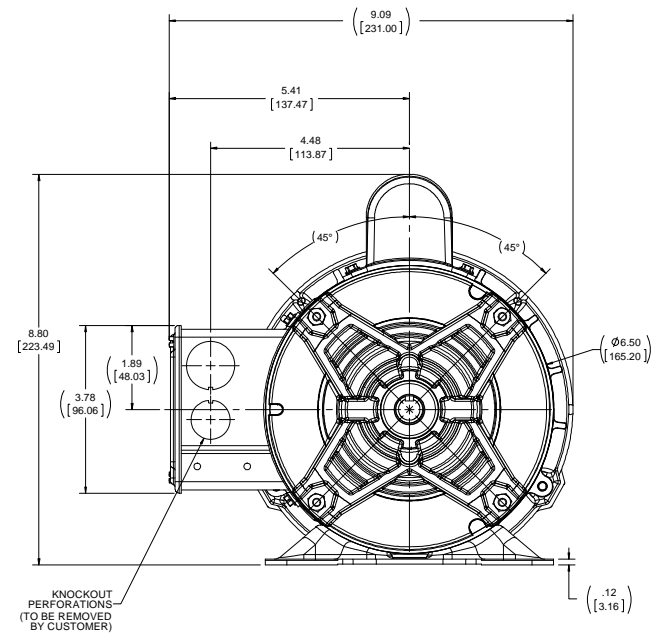
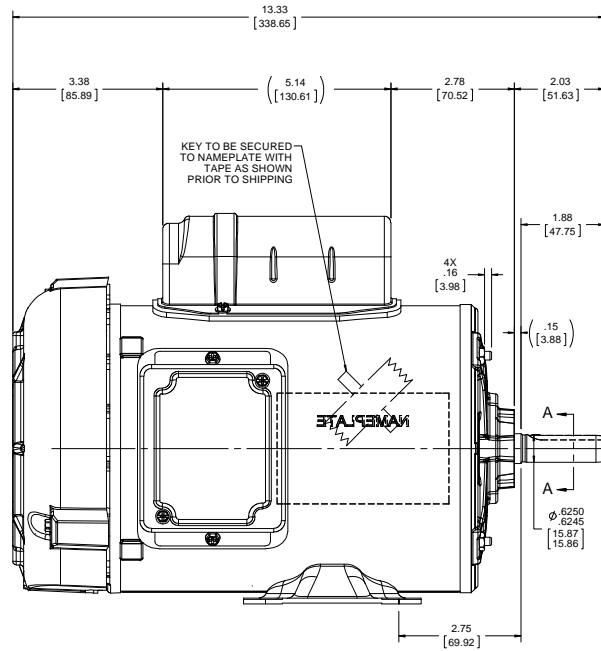
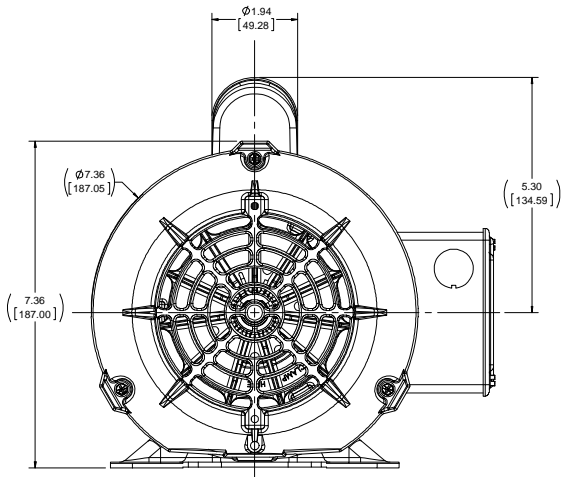
Nameplate Specifications

Output HP	1 Hp	Output KW	0.75 kW
Frequency	60 Hz	Voltage	115/208-230 V
Current	14/6.8-7.0 A	Speed	1725 rpm
Service Factor	1.15	Phase	1
Duty	Continuous	Insulation Class	B
Frame	56	Enclosure	Totally Enclosed Fan Cooled
Thermal Protection	No	Ambient Temperature	40 °C
UL	Recognized	CSA	Y
CE	Y		

Technical Specifications

Electrical Type	Capacitor Start Induction Run	Starting Method	Across The Line
Poles	4	Rotation	Selective Counterclockwise
Mounting	Rigid Base	Drive End Bearing	Ball
Opp Drive End Bearing	Ball	Frame Material	Rolled Steel
Shaft Type	NEMA 56	Overall Length	13.33 in
Frame Length	7.65 in	Shaft Diameter	0.625 in
Shaft Extension	2.03 in		

This is an uncontrolled document once printed or downloaded and is subject to change without notice. Date Created:30/10/2019



DRAWING REVISION		REVISION BY		DATE		TOLERANCES UNLESS OTHERWISE SPECIFIED:			DRAWN BY		DS		Regal Beloit America, Inc.										
ECO-0146788	B	DS	DS	05/28/2018	05/28/2018	ANGLES	±.001	±.002	±.005	DATE	06/24/2018	DESCRIPTION	86 PR,TEFC,INSD	Regal Beloit America, Inc.									
<p>UPDATED BASE DIMENSION</p> <p>REGAL BELOIT AMERICA, INC. reserves the right to change any dimension without notice. Dimensions are shown in inches and millimeters. Dimensions in millimeters are shown in parentheses. All dimensions are to be dimensioned to the centerline of the feature unless otherwise specified. All dimensions are to be dimensioned to the centerline of the feature unless otherwise specified. All dimensions are to be dimensioned to the centerline of the feature unless otherwise specified.</p>												DATE		06/24/2018		MATERIAL		56 PR,TEFC,INSD		PROCESS/FINISH		OUTLINE	
<p>REGAL BELOIT AMERICA, INC. reserves the right to change any dimension without notice. Dimensions are shown in inches and millimeters. Dimensions in millimeters are shown in parentheses. All dimensions are to be dimensioned to the centerline of the feature unless otherwise specified. All dimensions are to be dimensioned to the centerline of the feature unless otherwise specified. All dimensions are to be dimensioned to the centerline of the feature unless otherwise specified.</p>												REFERENCE		06/24/2018		MATERIAL		56 PR,TEFC,INSD		PROCESS/FINISH		OUTLINE	
<p>REGAL BELOIT AMERICA, INC. reserves the right to change any dimension without notice. Dimensions are shown in inches and millimeters. Dimensions in millimeters are shown in parentheses. All dimensions are to be dimensioned to the centerline of the feature unless otherwise specified. All dimensions are to be dimensioned to the centerline of the feature unless otherwise specified. All dimensions are to be dimensioned to the centerline of the feature unless otherwise specified.</p>												THIRD ANGLE PROJECTION		D		DRAWING NUMBER		0156100472-001		SHEET		1 OF 1	