

# PRODUCT INFORMATION PACKET



Model No: C682ES  
Catalog No: C682ES  
1.0 HP General Purpose Motor, 1 phase, 1800 RPM, 115/208-230 V, 56 Frame, ODP  
Single Phase ODP Motors



Regal and Century are trademarks of Regal Beloit Corporation or one of its affiliated companies.  
©2019 Regal Beloit Corporation, All Rights Reserved. MC017097E





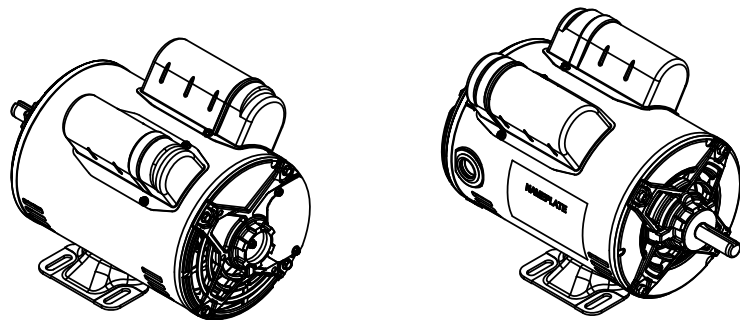
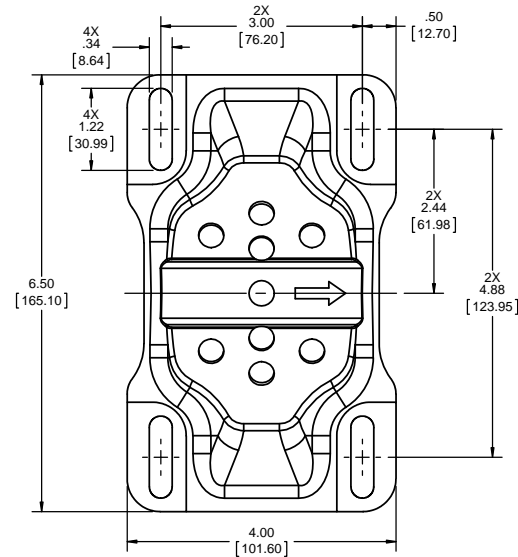
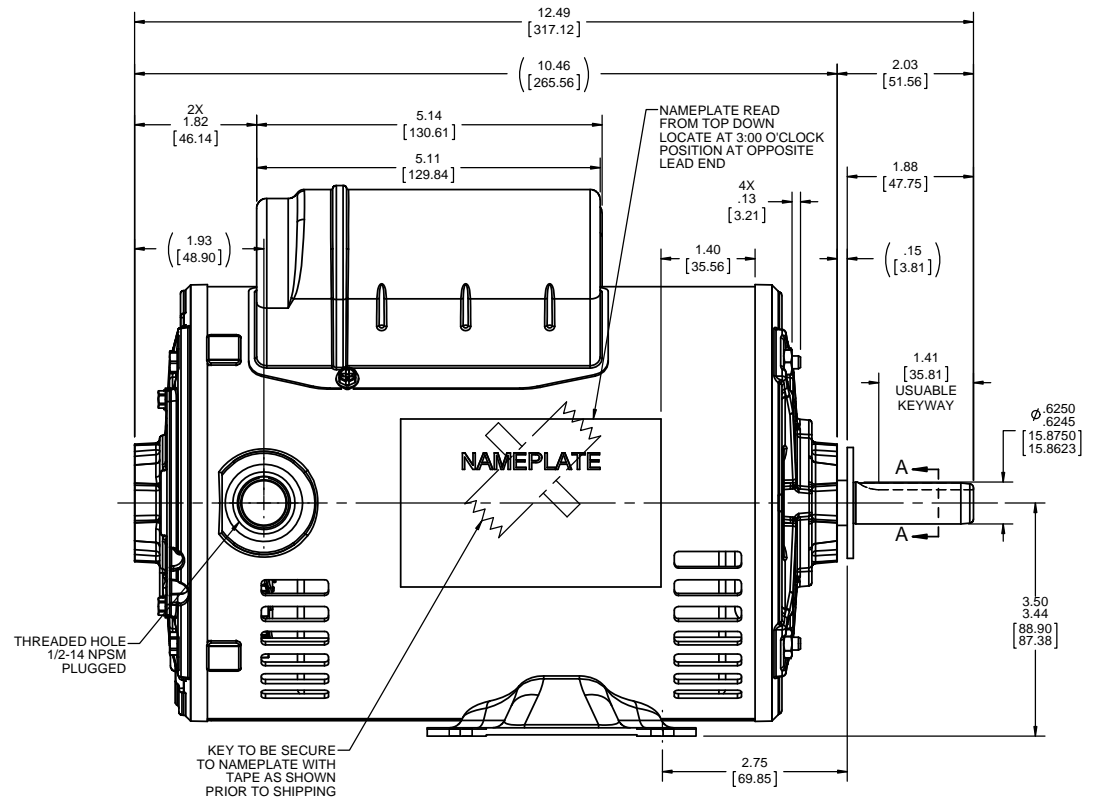
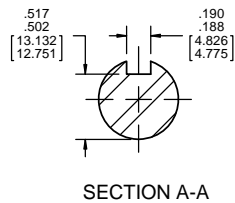
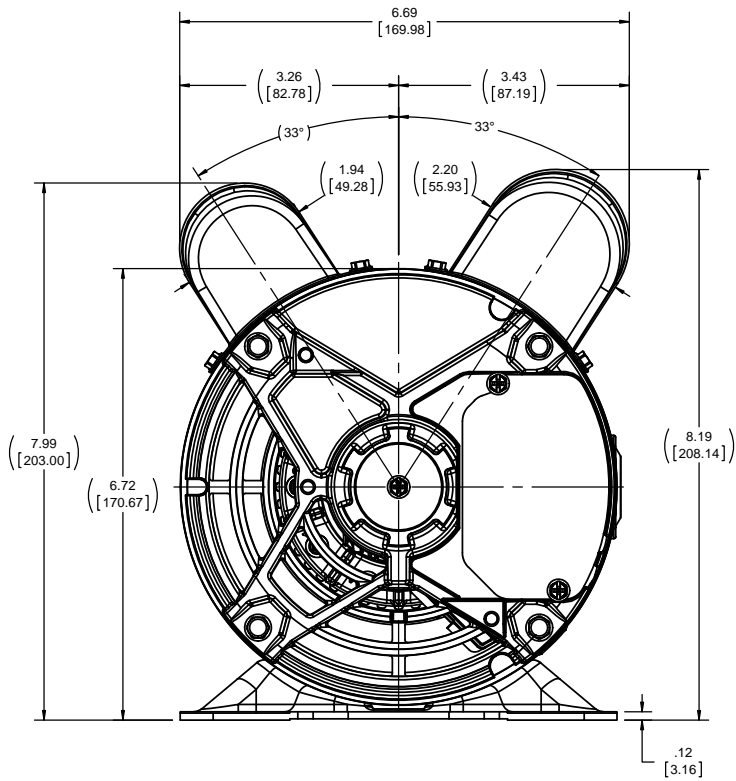
**Nameplate Specifications**

Output HP	<b>1.0 Hp</b>	Output KW	<b>0.75 kW</b>
Frequency	<b>60 Hz</b>	Voltage	<b>115/208-230 V</b>
Current	<b>8/4.4-4 A</b>	Speed	<b>1725 rpm</b>
Service Factor	<b>1.25</b>	Phase	<b>1</b>
Duty	<b>Continuous</b>	Insulation Class	<b>B</b>
Frame	<b>56</b>	Enclosure	<b>Drip Proof</b>
Thermal Protection	<b>Thermally Protected</b>	Ambient Temperature	<b>40 °C</b>
UL	<b>Recognized</b>	CSA	<b>Y</b>
CE	<b>Y</b>		

**Technical Specifications**

Electrical Type	<b>Shaded Pole</b>	Starting Method	<b>Across The Line</b>
Poles	<b>4</b>	Rotation	<b>Selective Counterclockwise</b>
Mounting	<b>Rigid Base</b>	Drive End Bearing	<b>Ball</b>
Opp Drive End Bearing	<b>Ball</b>	Frame Material	<b>Rolled Steel</b>
Shaft Type	<b>NEMA 56</b>	Overall Length	<b>12.49 in</b>
Frame Length	<b>6.75 in</b>	Shaft Diameter	<b>0.625 in</b>
Shaft Extension	<b>1.88 in</b>		

This is an uncontrolled document once printed or downloaded and is subject to change without notice. Date Created:30/10/2019



DRAWING REVISION A	REVISION BY D.VALENCIANO	DATE 12-02-2016	TOLERANCES UNLESS OTHERWISE SPECIFIED: DEC. INCH mm ANGLE X ±0.1 [±2.5] 0.5° XX ±0.03 [±0.76] XXX ±0.005 [±0.127] .XXXX ±0.0005 [±0.0127] REMOVE BURRS & BREAK SHARP EDGES: .003/.015 [0.076/.381] X 45° CORNER FILLETS: R.02 [51] MACHINED SURFACES: .125 √mm 3/2 mm SHOWN IN [BRACKETS]	DRAWN BY D.VALENCIANO	Regal Beloit America, Inc.
ECO ECO-0114082	APPROVED BY	DATE	DATE 12-02-2016	DATE 12-02-2016	
NEW MODEL RELEASE			APPROVED BY J.ORTEGA	DATE 12-02-2016	DESCRIPTION OUTLINE 56FR,ODP,1-PHASE,RIGID
<small>COPYRIGHT REGAL BELOIT AMERICA, INC. ALL RIGHTS RESERVED. PROPRIETARY AND CONFIDENTIAL INFORMATION - THIS DOCUMENT IS THE PROPERTY OF REGAL BELOIT AMERICA, INC. FORMERLY AND CONTAINS OWNER'S PROPRIETARY INFORMATION. ANY PERSON, CORPORATION OR OTHER FIRM RECEIVING IT IS DEEMED, BY RECEIVING IT, TO AGREE THAT IT, AND/OR ANY PART OF IT, SHALL NOT BE DISCLOSED TO ANY PERSON, CORPORATION OR OTHER ENTITY, DUPLICATED, AND/OR USED, EXCEPT AS EXPRESSLY APPROVED IN WRITING IN ADVANCE BY OWNER. THIS DOCUMENT SHALL BE RETURNED TO OWNER UPON REQUEST. IT MAY BE SUBJECT TO CERTAIN RESTRICTIONS UNDER APPLICABLE EXPORT CONTROL LAWS AND REGULATIONS.</small>			REFERENCE	MATERIAL	PROCESS FINISH
			THIRD ANGLE PROJECTION	SIZE C	DRAWING NUMBER OL56100210-001
					SHEET 1 OF 1