

PRODUCT INFORMATION PACKET



Model No: C666V1
Catalog No: C666V1

0.75 HP Fan and Blower HVAC/R Motor, 1 phase, 1800 RPM, 115/208-230 V, 56 Frame, ODP
Self Cooled Motors



Regal and Century are trademarks of Regal Beloit Corporation or one of its affiliated companies.
©2019 Regal Beloit Corporation, All Rights Reserved. MC017097E

REGAL



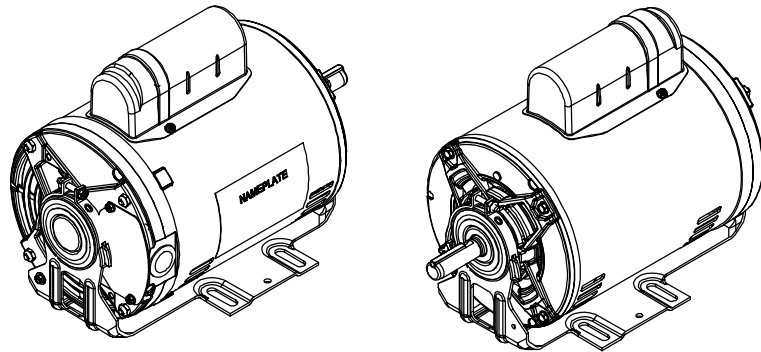
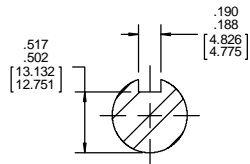
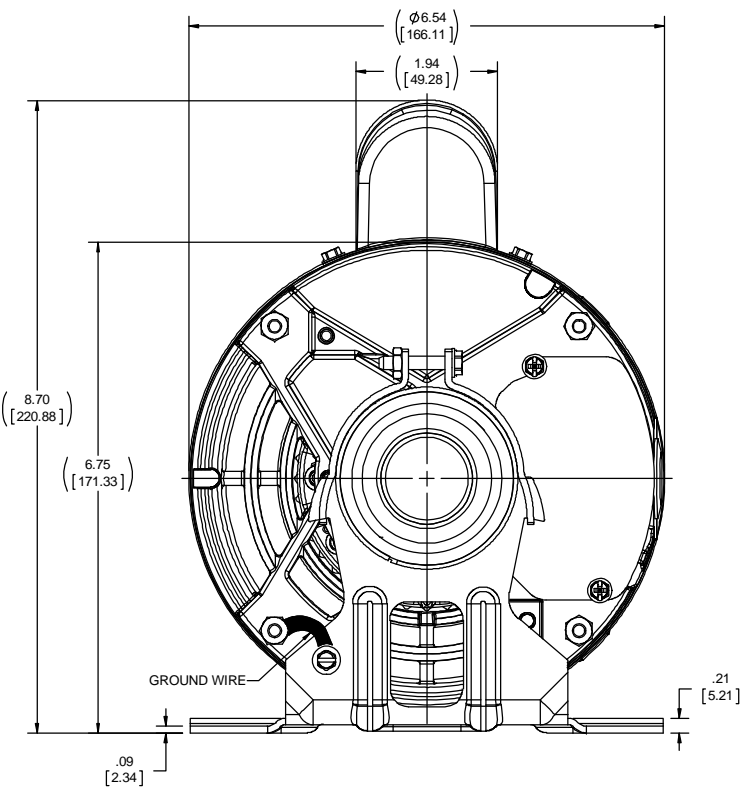
Nameplate Specifications

Output HP	0.75 Hp	Output KW	0.56 kW
Frequency	60 Hz	Voltage	115/208-230 V
Current	11.0/5.3-5.5 A	Speed	1725 rpm
Service Factor	1.25	Phase	1
Duty	Continuous	Insulation Class	B
Frame	56	Enclosure	Drip Proof
Thermal Protection	No	Ambient Temperature	40 °C
UL	Recognized	CSA	Y
CE	Y		

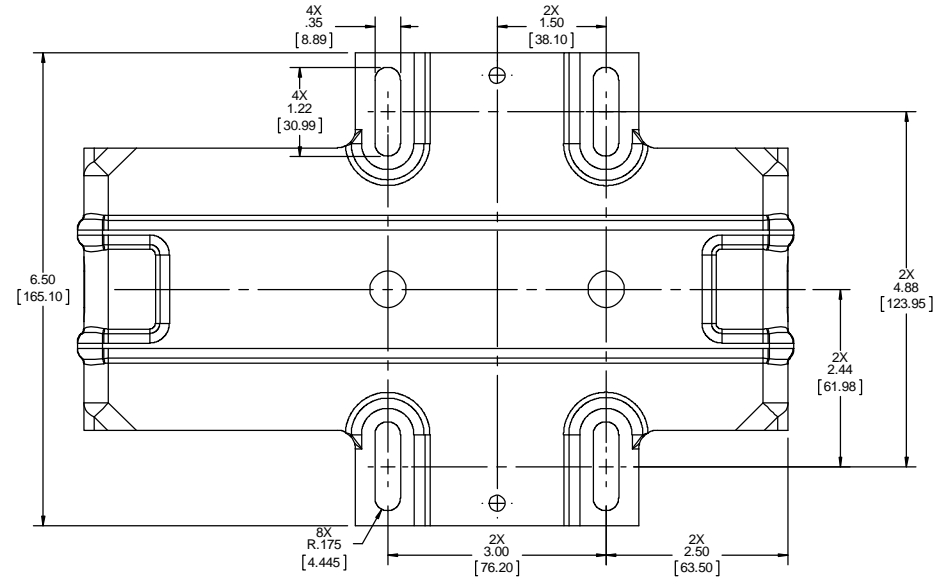
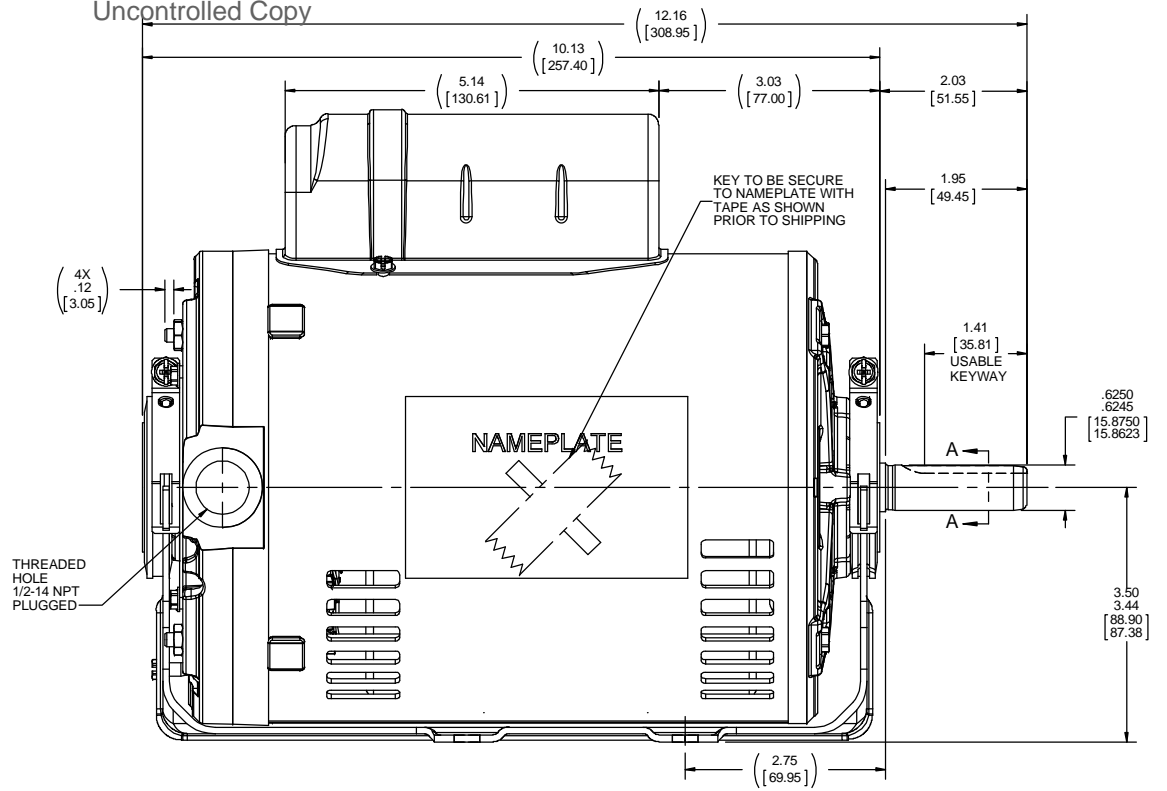
Technical Specifications

Electrical Type	Capacitor Start Induction Run	Starting Method	Across The Line
Poles	4	Rotation	Selective Counterclockwise
Mounting	Resilient Base	Drive End Bearing	Ball
Opp Drive End Bearing	Ball	Frame Material	Rolled Steel
Shaft Type	NEMA 56	Overall Length	12.16 in
Frame Length	7.24 in	Shaft Diameter	0.625 in
Shaft Extension	2.03 in		

This is an uncontrolled document once printed or downloaded and is subject to change without notice. Date Created:30/10/2019



Uncontrolled Copy



DRAWING REVISION C	REVISION BY D.SURYAWANSHI	DATE 12/13/2018	TOLERANCES UNLESS OTHERWISE SPECIFIED: DEC. INCH mm ANGLE .X ±0.1 [2.5] 30.5° .XX ±0.03 [0.76] .XXX ±0.005 [0.127] .XXXX ±0.0005 [±0.0127]	DRAWN BY D.VALENCIANO	Regal Beloit America, Inc. DESCRIPTION OUTLINE 56FR,DP,1-PHASE
ECO-0158365	APPROVED BY	DATE	APPROVED BY J.ORTEGA	DATE 05-07-2016	
ECO DESCRIPTION UPDATED TERMINAL BOARD ASSY PER ECO			REMOVE BURRS & BREAK SHARP EDGES: .0031 015 [076/381] X 45° CORNER FILLETS: R.02 [51]	REFERENCE C666	MATERIAL
<small> PROPRIETARY AND CONFIDENTIAL INFORMATION. THIS DOCUMENT IS THE PROPERTY OF REGAL BELOIT AMERICA, INC. FORMERLY AND CONTAINING OWNERS PROPRIETARY INFORMATION. ANY PERSON, CORPORATION OR OTHER FIRM RECEIVING IT IS DEEMED BY RECEIVING IT, TO AGREE THAT IT, AND/OR ANY PART OF IT, SHALL NOT BE DISCLOSED TO ANY PERSON, CORPORATION OR OTHER ENTITY, DUPLICATED, AND/OR USED, EXCEPT AS EXPRESSLY APPROVED IN WRITING IN ADVANCE BY OWNER. THIS DOCUMENT SHALL BE RETURNED TO OWNER UPON REQUEST. IT MAY BE SUBJECT TO CERTAIN RESTRICTIONS UNDER APPLICABLE EXPORT CONTROL LAWS AND REGULATIONS. </small>			MACHINED SURFACES: .125 / 3.2 INCH/ mm SHOWN IN [BRACKETS]	THIRD ANGLE PROJECTION	PROCESS/FINISH
				SIZE C	DRAWING NUMBER OL56100081-001
					SHEET 1 OF 1