

PRODUCT INFORMATION PACKET



Model No: C661V2

Catalog No: C661V2

.75 HP Condenser Fans HVAC/R Motor, 1 phase, 1200 RPM, 200-230/460 V, 56Y Frame, OPAO
Condenser Fans Motors



Regal and Century are trademarks of Regal Beloit Corporation or one of its affiliated companies.

©2019 Regal Beloit Corporation, All Rights Reserved. MC017097E

The REGAL logo consists of the word 'REGAL' in a bold, white, sans-serif font, set against a dark gray, trapezoidal background that tapers to the right. This logo is positioned on a vertical blue gradient bar that runs down the right side of the page.

REGAL



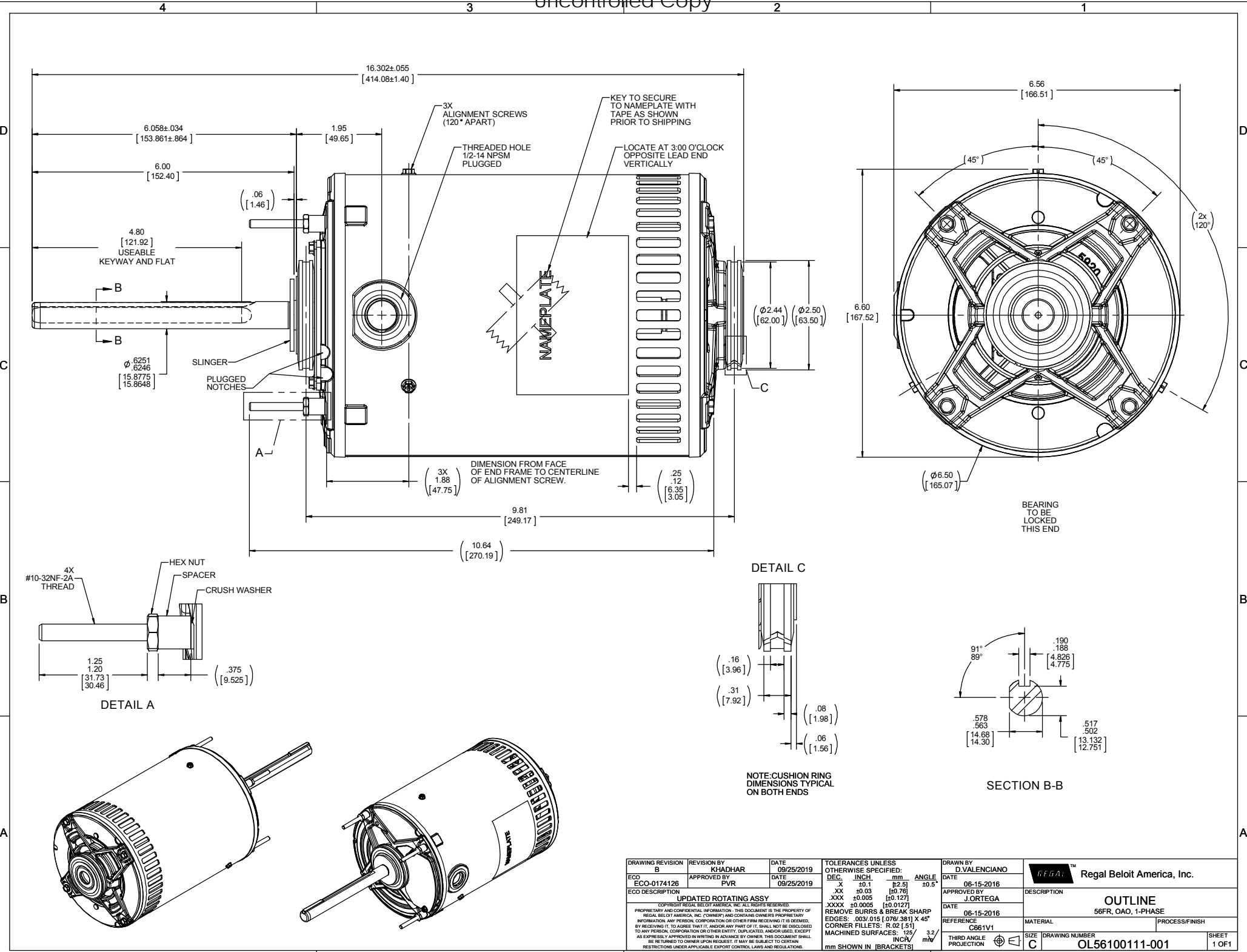
Nameplate Specifications

Output HP	.75 Hp	Output KW	0.56 kW
Frequency	60 Hz	Voltage	200-230/460 V
Current	4.4-4.0/2.0 A	Speed	1075 rpm
Service Factor	1	Phase	1
Duty	Continuous	Insulation Class	B
Frame	56Y	Enclosure	Open Air Over
Thermal Protection	Automatic	Ambient Temperature	60 °C
UL	Recognized	CSA	Y
CE	N		

Technical Specifications

Electrical Type	Polyphase, Induction Type, Single Or Dual Voltage	Starting Method	Across The Line
Poles	6	Rotation	Selective Counterclockwise
Mounting	Round	Drive End Bearing	Ball
Opp Drive End Bearing	Ball	Frame Material	Rolled Steel
Shaft Type	Single Special Extension	Overall Length	16.31 in
Frame Length	6.25 in	Shaft Diameter	0.625 in
Shaft Extension	6.06 in		

This is an uncontrolled document once printed or downloaded and is subject to change without notice. Date Created:30/10/2019



DRAWING REVISION B	REVISION BY KHADHAR	DATE 09/25/2019	TOLERANCES UNLESS OTHERWISE SPECIFIED: DEC. INCH mm ANGLE	DRAWN BY D. VALENCIANO	Regal Beloit America, Inc.
ECO-0174126	APPROVED BY PVR	DATE 09/25/2019	.X ±0.1 [±2.5] ±0.5° .XX ±0.03 [±0.76] .XXX ±0.005 [±0.127] .XXXX ±0.0005 [±0.0127]	DATE 06-15-2016	
ECO DESCRIPTION UPDATED ROTATING ASSY			REMOVE BURRS & BREAK SHARP EDGES: .0031 [0.078] X 45° CORNER FILLETS: R.02 [.51]	APPROVED BY J. ORTEGA	DESCRIPTION OUTLINE
<small>COPYRIGHT REGAL BELOIT AMERICA, INC. ALL RIGHTS RESERVED. PROPRIETARY AND CONFIDENTIAL INFORMATION. THIS DOCUMENT IS THE PROPERTY OF REGAL BELOIT AMERICA, INC. OWNERS AND CONTAINS OWNERS PROPRIETARY INFORMATION. ANY PERSON, CORPORATION OR OTHER FIRM RECEIVING IT IS DEEMED BY RECEIVING IT, TO AGREE THAT IT, AND/OR ANY PART OF IT, SHALL NOT BE DISCLOSED TO ANY PERSON, CORPORATION OR OTHER ENTITY, DUPLICATED, AND/OR USED, EXCEPT AS EXPRESSLY APPROVED IN WRITING IN ADVANCE BY OWNER. THIS DOCUMENT SHALL BE RETURNED TO OWNER UPON REQUEST. IT MAY BE SUBJECT TO CERTAIN RESTRICTIONS UNDER APPLICABLE EXPORT CONTROL LAWS AND REGULATIONS.</small>			MACHINED SURFACES: 125 / 3.2 INCH/ mm SHOWN IN (BRACKETS)	DATE 06-15-2016	MATERIAL 56FR, OAO, 1-PHASE
			THIRD ANGLE PROJECTION	REFERENCE C681V1	PROCESS/FINISH
				SIZE C	DRAWING NUMBER OL56100111-001
					SHEET 1 OF 1