

PRODUCT INFORMATION PACKET



Model No: C658ES
Catalog No: C658ES

.75 HP General Purpose Motor, 1 phase, 1800 RPM, 115/208-230 V, 56 Frame, ODP
Single Phase ODP Motors



Regal and Century are trademarks of Regal Beloit Corporation or one of its affiliated companies.
©2019 Regal Beloit Corporation, All Rights Reserved. MC017097E





Nameplate Specifications

Output HP	.75 Hp	Output KW	0.56 kW
Frequency	60 Hz	Voltage	115/208-230 V
Current	6.6/3.5-3.3 A	Speed	1725 rpm
Service Factor	1.25	Phase	1
Duty	Continuous	Insulation Class	B
Frame	56	Enclosure	Drip Proof
Thermal Protection	Thermally Protected	Ambient Temperature	40 °C
UL	Recognized	CSA	Y
CE	Y		

Technical Specifications

Electrical Type	Shaded Pole	Starting Method	Across The Line
Poles	4	Rotation	Selective Counterclockwise
Mounting	Rigid Base	Drive End Bearing	Ball
Opp Drive End Bearing	Ball	Frame Material	Rolled Steel
Shaft Type	NEMA 56	Overall Length	12.49 in
Frame Length	6.75 in	Shaft Diameter	0.625 in
Shaft Extension	1.88 in		

This is an uncontrolled document once printed or downloaded and is subject to change without notice. Date Created:30/10/2019

Uncontrolled Copy

4 3 2 1

D

C

B

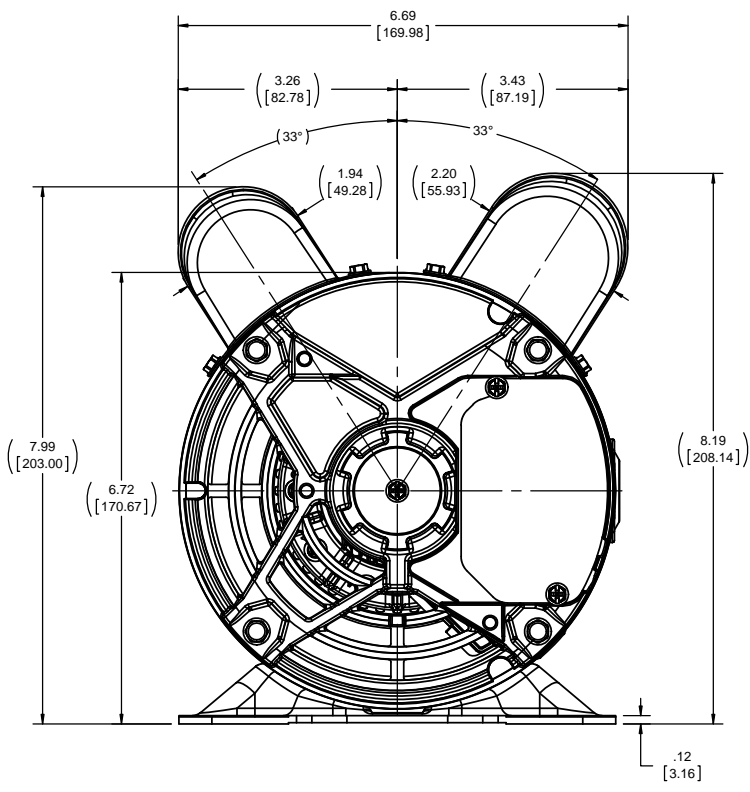
A

D

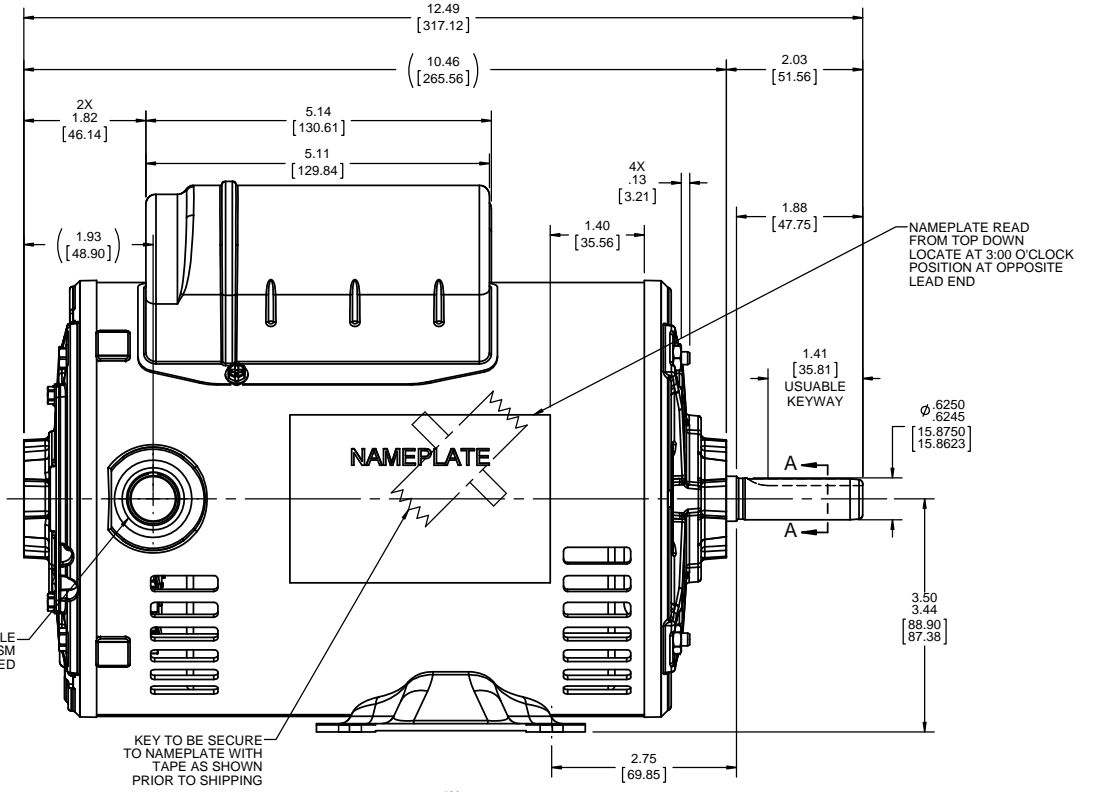
C

B

A

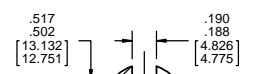


THREADED HOLE
1/2-14 NPSM
PLUGGED

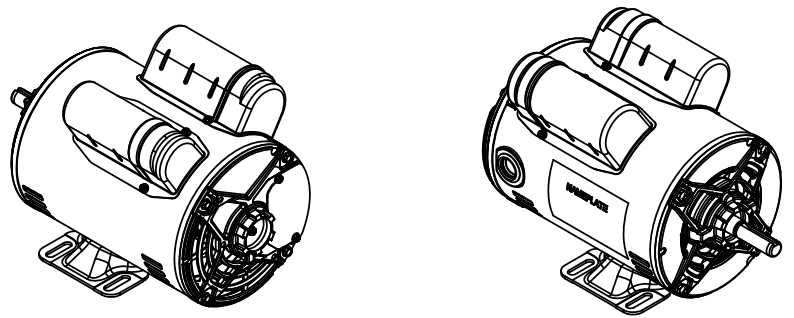
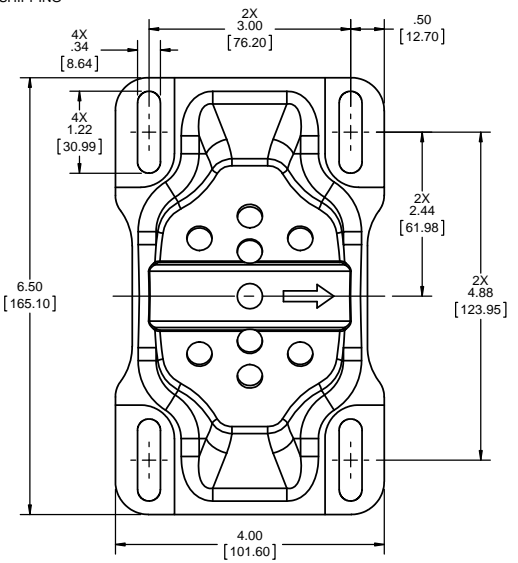


NAMEPLATE READ FROM TOP DOWN LOCATE AT 3:00 O'CLOCK POSITION AT OPPOSITE LEAD END

KEY TO BE SECURE TO NAMEPLATE WITH TAPE AS SHOWN PRIOR TO SHIPPING



SECTION A-A



DRAWING REVISION A	REVISION BY D.VALENCIANO	DATE 10-27-2016	TOLERANCES UNLESS OTHERWISE SPECIFIED: DEC. INCH mm ANGLE X ±0.1 [±2.5] 30.5° XX ±0.03 [±0.76] XXX ±0.005 [±0.127] .XXXX ±0.0005 [±0.0127]	DRAWN BY D.VALENCIANO	Regal Beloit America, Inc.
ECO ECO-0111711	APPROVED BY	DATE	DATE 10-27-2016	DATE 10-27-2016	
NEW MODEL RELEASE			REMOVE BURRS & BREAK SHARP EDGES: .003/.015 [0.076/.381] X 45° CORNER FILLETS: R.02 [51]	APPROVED BY J.ORTEGA	DESCRIPTION OUTLINE 56FR,ODP,1-PHASE,RIGID
<small>COPYRIGHT REGAL BELOIT AMERICA, INC. ALL RIGHTS RESERVED. PROPRIETARY AND CONFIDENTIAL INFORMATION - THIS DOCUMENT IS THE PROPERTY OF REGAL BELOIT AMERICA, INC. FORMER AND CONTAINS OWNER'S PROPRIETARY INFORMATION. ANY PERSON, CORPORATION OR OTHER FIRM RECEIVING IT IS DEEMED, BY RECEIVING IT, TO AGREE THAT IT, AND/OR ANY PART OF IT, SHALL NOT BE DISCLOSED TO ANY PERSON, CORPORATION OR OTHER ENTITY, DUPLICATED, AND/OR USED, EXCEPT AS EXPRESSLY APPROVED IN WRITING IN ADVANCE BY OWNER. THIS DOCUMENT SHALL BE RETURNED TO OWNER UPON REQUEST. IT MAY BE SUBJECT TO CERTAIN RESTRICTIONS UNDER APPLICABLE EXPORT CONTROL LAWS AND REGULATIONS.</small>			MACHINED SURFACES: 1/25 √mm 3/2 INCH √mm	REFERENCE	MATERIAL
			THIRD ANGLE PROJECTION	SIZE C	DRAWING NUMBER OL56100174-001
					PROCESS FINISH
					SHEET 1 OF 1