

# PRODUCT INFORMATION PACKET



Model No: C654V1  
Catalog No: C654V1

.75 HP Fan and Blower HVAC/R Motor, 1 phase, 1800 RPM, 115/208-230 V, 56 Frame, ODP  
Self Cooled Motors



Regal and Century are trademarks of Regal Beloit Corporation or one of its affiliated companies.  
©2019 Regal Beloit Corporation, All Rights Reserved. MC017097E

The REGAL logo consists of the word 'REGAL' in a bold, white, sans-serif font, set against a dark grey rectangular background with a slight shadow effect.

REGAL



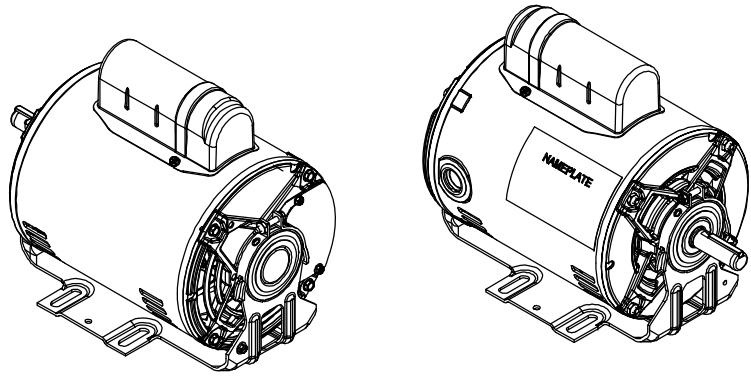
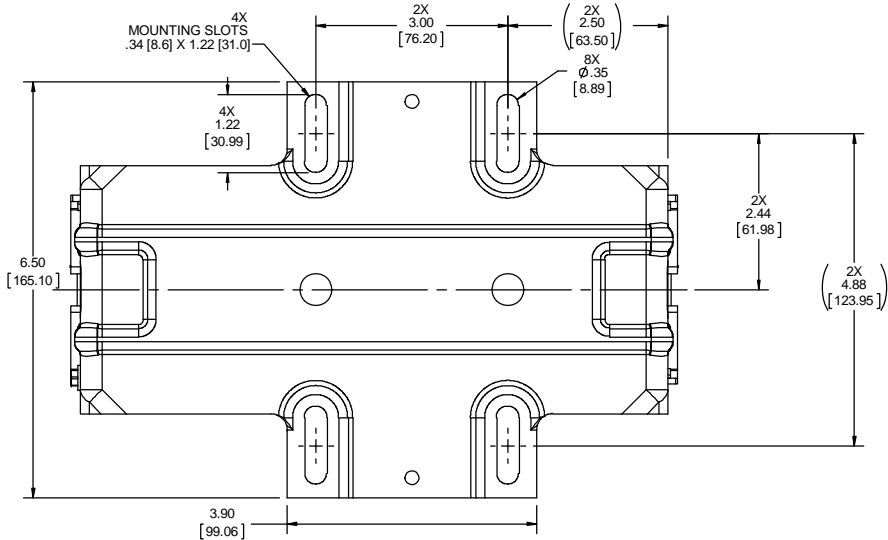
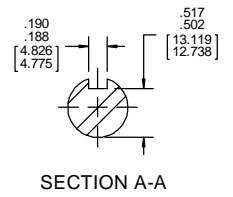
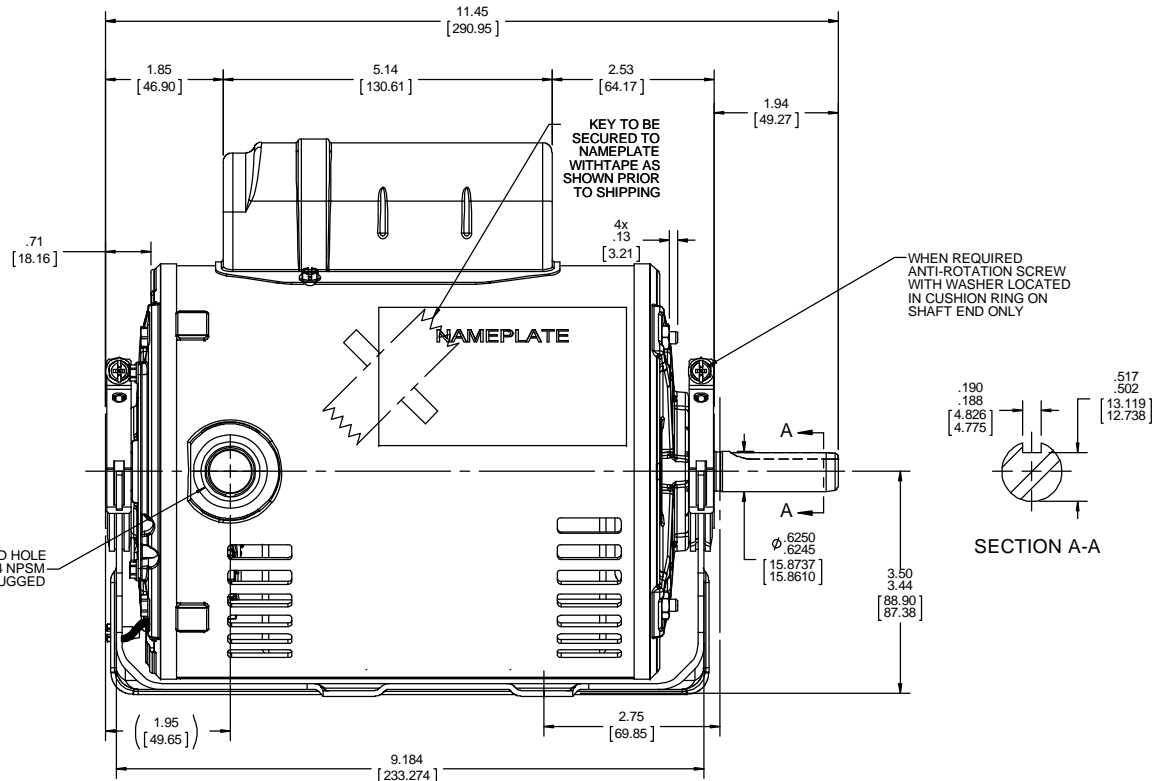
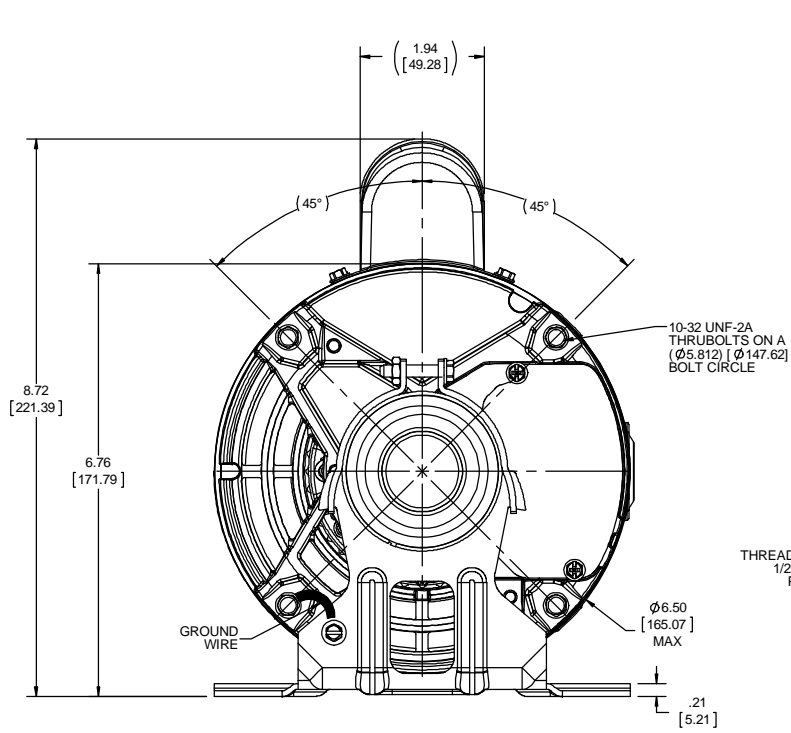
**Nameplate Specifications**

Output HP	<b>.75 Hp</b>	Output KW	<b>0.56 kW</b>
Frequency	<b>60 Hz</b>	Voltage	<b>115/208-230 V</b>
Current	<b>10.4/5.5-5.2 A</b>	Speed	<b>1725 rpm</b>
Service Factor	<b>1.25</b>	Phase	<b>1</b>
Duty	<b>Continuous</b>	Insulation Class	<b>B</b>
Frame	<b>56</b>	Enclosure	<b>Drip Proof</b>
Thermal Protection	<b>Thermally Protected</b>	Ambient Temperature	<b>40 °C</b>
UL	<b>Recognized</b>	CSA	<b>Y</b>
CE	<b>Y</b>		

**Technical Specifications**

Electrical Type	<b>Capacitor Start Induction Run</b>	Starting Method	<b>Across The Line</b>
Poles	<b>4</b>	Rotation	<b>Selective Counterclockwise</b>
Mounting	<b>Resilient Base</b>	Drive End Bearing	<b>Ball</b>
Opp Drive End Bearing	<b>Ball</b>	Frame Material	<b>Rolled Steel</b>
Shaft Type	<b>NEMA 56</b>	Overall Length	<b>11.45 in</b>
Frame Length	<b>7.15 in</b>	Shaft Diameter	<b>0.625 in</b>
Shaft Extension	<b>1.94 in</b>		

This is an uncontrolled document once printed or downloaded and is subject to change without notice. Date Created:30/10/2019



DRAWING REVISION A		REVISION BY	DATE	TOLERANCES UNLESS OTHERWISE SPECIFIED:		DRAWN BY E. VILLA	Regal Beloit America, Inc.
ECO-0103063		APPROVED BY	DATE	DEC.	INCH mm ANGLE	DATE 06-09-2017	
ECO DESCRIPTION				.X	±0.1 [2.5]	±7 30°	DESCRIPTION <b>OUTLINE</b> 56FR, DP, 1-PHASE
COPYRIGHT REGAL BELOIT AMERICA, INC. ALL RIGHTS RESERVED. PROPRIETARY AND CONFIDENTIAL INFORMATION. THIS DOCUMENT IS THE PROPERTY OF REGAL BELOIT AMERICA, INC. FORMERLY AND CONTAINS OWNERS PROPRIETARY INFORMATION. ANY PERSON, CORPORATION OR OTHER FIRM RECEIVING IT IS DEEMED BY RECEIVING IT, TO AGREE THAT IT, AND/OR ANY PART OF IT, SHALL NOT BE DISCLOSED TO ANY PERSON, CORPORATION OR OTHER ENTITY, DUPLICATED, AND/OR USED, EXCEPT AS EXPRESSLY APPROVED IN WRITING IN ADVANCE BY OWNER. THIS DOCUMENT SHALL BE RETURNED TO OWNER UPON REQUEST. IT MAY BE SUBJECT TO CERTAIN RESTRICTIONS UNDER APPLICABLE EXPORT CONTROL LAWS AND REGULATIONS.				XXX	±0.005 [±0.127]	APPROVED BY M. RAMIREZ	
				.XXXX	±0.0005 [±0.0127]	DATE	MATERIAL
				REMOVE BURRS & BREAK SHARP EDGES: .0031 Ø15 [Ø76.381]		REFERENCE	PROCESS/FINISH
				CORNER FILLETS: .02 [5.1]		THIRD ANGLE PROJECTION	SIZE C
				MACHINED SURFACES: 200 5/1 INCH/mil		SIZE DRAWING NUMBER	SHEET 1 OF 1
				mm SHOWN IN [BRACKETS]		OL56100255-001	

**CENTURY**

TYPICAL PERFORMANCE CURVE for AC MOTOR

Customer WW Grainger

Curve at

230

Volts

HP 0.75

PHASE 1

Model No C654V1

60

HZ

VOLTS 115/208-230

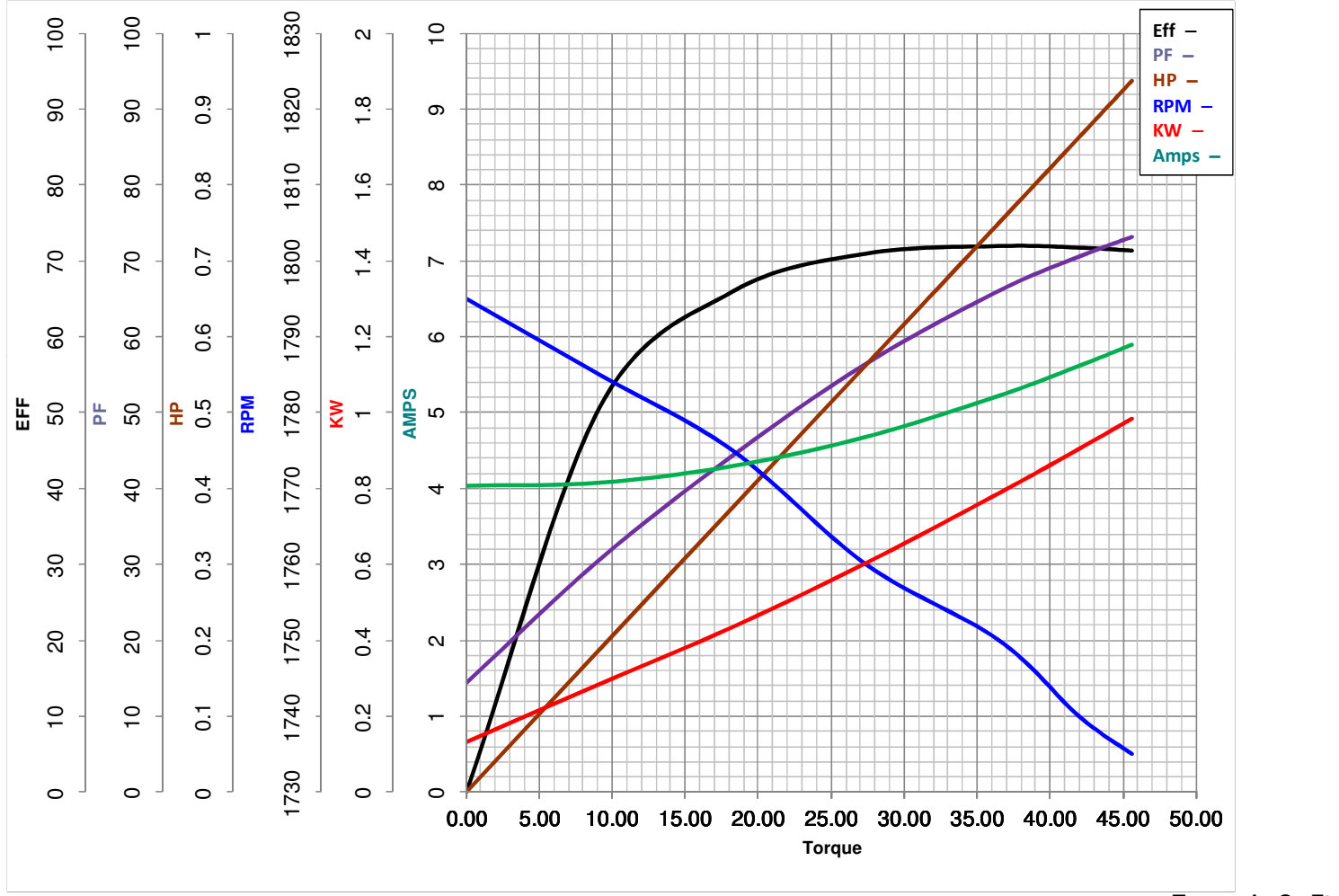
Catalog No C654V1

0.75

HP

HZ 60

RPM 1725



FL TORQUE	<u>36.5</u>	Oz.Ft	FL AMPS	<u>10.4/5.5-5.2</u>
BD TORQUE	<u>91.0</u>	Oz.Ft	PU TORQUE	<u>99.4</u>
LR TORQUE	<u>103.5</u>	Oz.Ft	LR AMPS	<u>30.85</u>
WINDING	NC56413-3	Prepared By	BHARGAVI	Date
				8/17/2018