

PRODUCT INFORMATION PACKET



Model No: C634V1
Catalog No: C634V1

.5 HP Fan and Blower HVAC/R Motor, 1 phase, 1800 RPM, 115/208-230 V, 56 Frame, ODP
Self Cooled Motors



Regal and Century are trademarks of Regal Beloit Corporation or one of its affiliated companies.
©2019 Regal Beloit Corporation, All Rights Reserved. MC017097E

REGAL



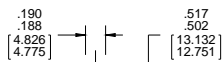
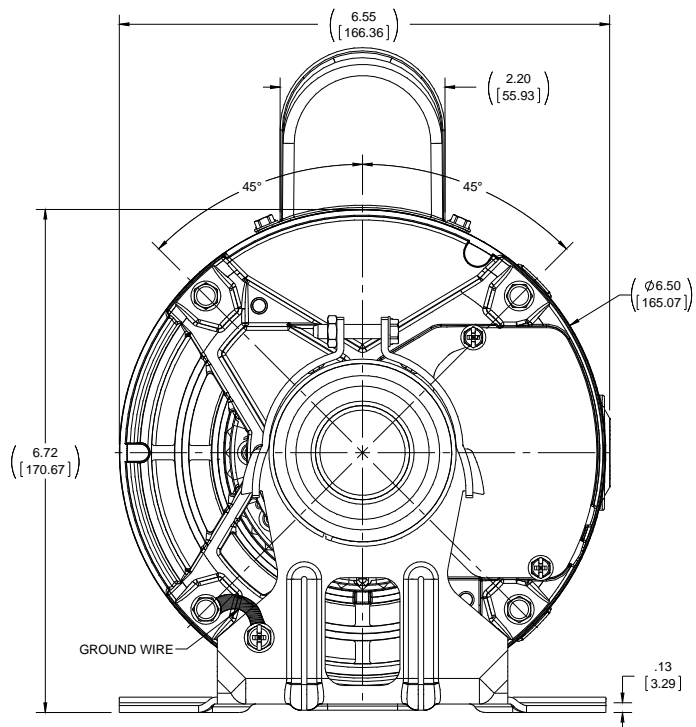
Nameplate Specifications

Output HP	.5 Hp	Output KW	0.37 kW
Frequency	60 Hz	Voltage	115/208-230 V
Current	8.2/4.0-4.1 A	Speed	1725 rpm
Service Factor	1.25	Phase	1
Duty	Continuous	Insulation Class	B
Frame	56	Enclosure	Drip Proof
Thermal Protection	None	Ambient Temperature	40 °C
UL	Recognized	CSA	Y
CE	Y		

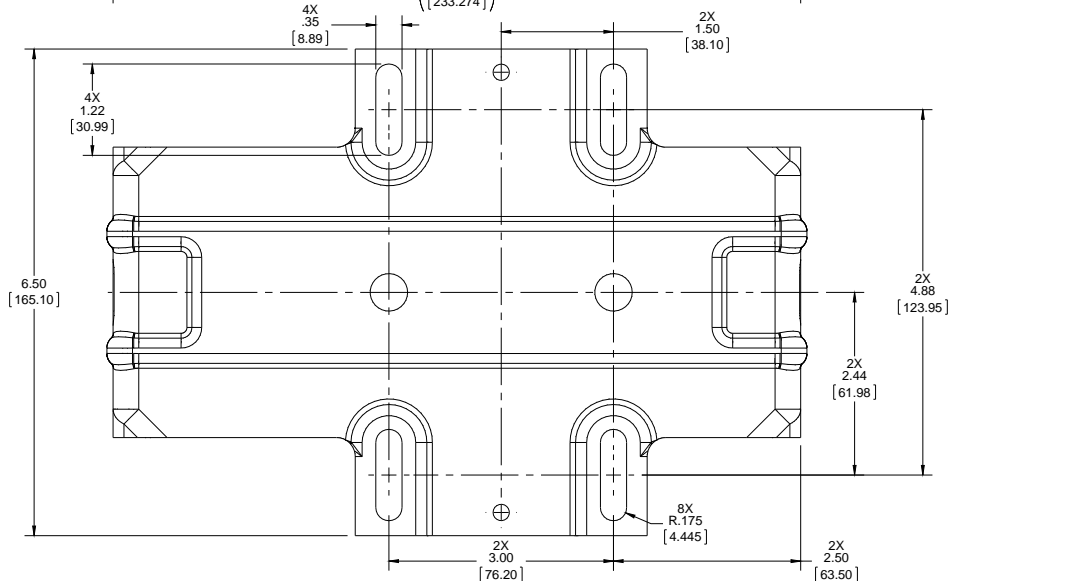
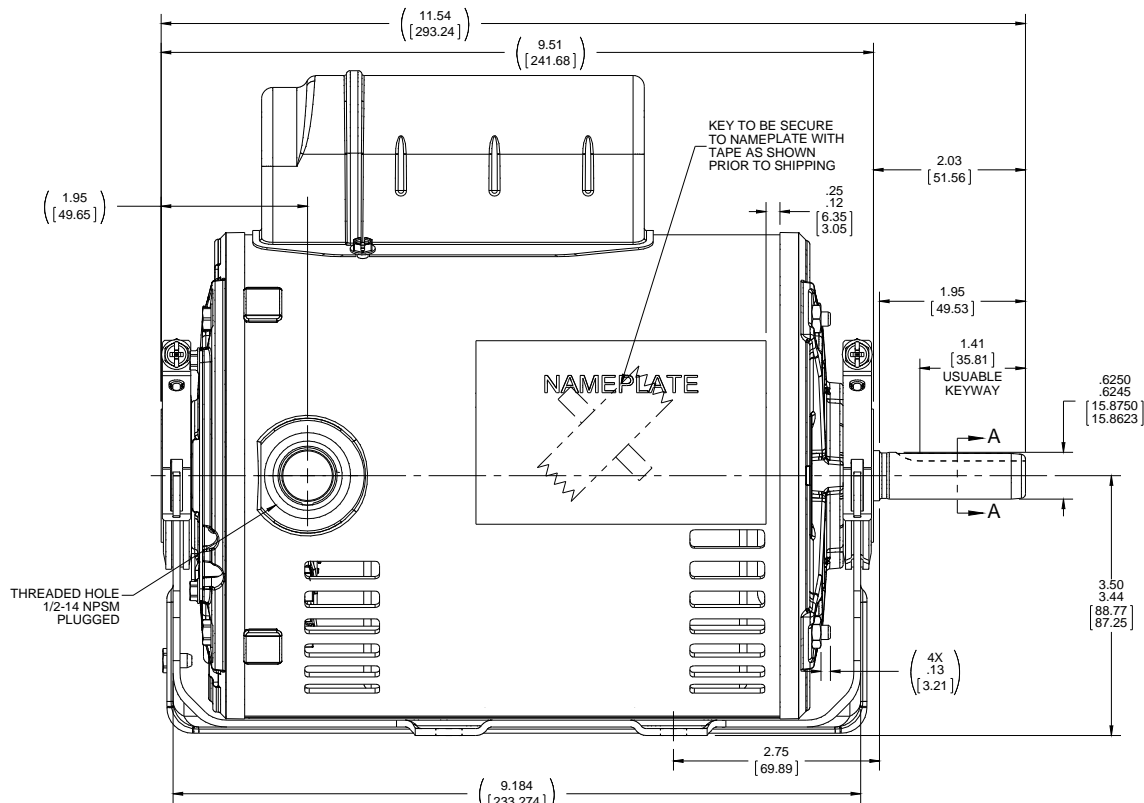
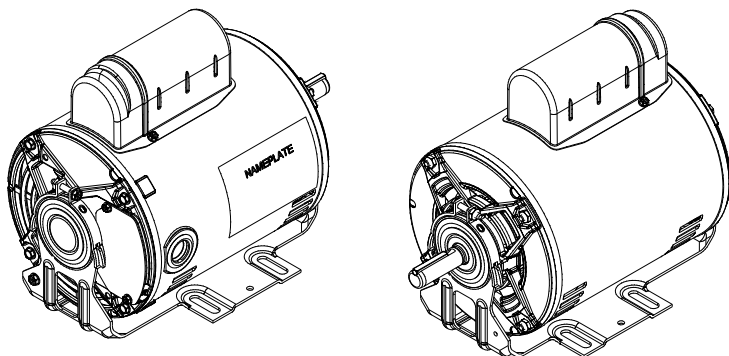
Technical Specifications

Electrical Type	Capacitor Start Induction Run	Starting Method	Across The Line
Poles	4	Rotation	Selective Counterclockwise
Mounting	Resilient Base	Drive End Bearing	Ball
Opp Drive End Bearing	Ball	Frame Material	Rolled Steel
Shaft Type	NEMA 56	Overall Length	11.54 in
Frame Length	5.13 in	Shaft Diameter	0.625 in
Shaft Extension	1.88 in		

This is an uncontrolled document once printed or downloaded and is subject to change without notice. Date Created:30/10/2019



SECTION A-A



DRAWING REVISION A	REVISION BY E VILLA	DATE 06-28-2016	TOLERANCES UNLESS OTHERWISE SPECIFIED: DEC. INCH mm ANGLE .X ±0.1 [±2.5] ±0.5° .XX ±0.03 [±0.76] .XXX ±0.005 [±0.127] .XXXX ±0.0005 [±0.0127] REMOVE BURRS & BREAK SHARP EDGES: .0031 (0.078) X 45° CORNER FILLETS: R.02 [51] MACHINED SURFACES: .125 / 3.2 INCH / mm V mm SHOWN IN [BRACKETS]	DRAWN BY E VILLA	DATE 04-19-2016	APPROVED BY J.ORTEGA	DESCRIPTION OUTLINE 56FR, DP, 1-PHASE
ECO ECO-0104438	APPROVED BY J.ORTEGA	DATE 06-28-2016	REFERENCE SKH49PN6055X	MATERIAL	PROCESS/FINISH	THIRD ANGLE PROJECTION	SIZE C
NEW MODEL RELEASE COPYRIGHT REGAL BELOIT AMERICA, INC. ALL RIGHTS RESERVED. PROPRIETARY AND CONFIDENTIAL INFORMATION. THIS DOCUMENT IS THE PROPERTY OF REGAL BELOIT AMERICA, INC. (OWNER) AND CONTAINS OWNER'S PROPRIETARY INFORMATION. ANY PERSON, CORPORATION OR OTHER FIRM RECEIVING IT IS DEEMED, BY RECEIVING IT, TO AGREE THAT IT, AND/OR ANY PART OF IT, SHALL NOT BE DISCLOSED TO ANY PERSON, CORPORATION OR OTHER ENTITY, DUPLICATED, AND/OR USED, EXCEPT AS EXPRESSLY APPROVED IN WRITING IN ADVANCE BY OWNER. THIS DOCUMENT SHALL BE RETURNED TO OWNER UPON REQUEST. IT MAY BE SUBJECT TO CERTAIN RESTRICTIONS UNDER APPLICABLE EXPORT CONTROL LAWS AND REGULATIONS.			REFERENCE SKH49PN6055X	DRAWING NUMBER OL56100129-001	SHEET 1 OF 1		