

# PRODUCT INFORMATION PACKET



Model No: C612V1  
Catalog No: C612V1

.5 HP General Purpose Motor, 1 phase, 1800 RPM, 115/208-230 V, 56 Frame, TEFC  
Single Phase TEFC Motors



Regal and Century are trademarks of Regal Beloit Corporation or one of its affiliated companies.  
©2019 Regal Beloit Corporation, All Rights Reserved. MC017097E

The REGAL logo consists of the word 'REGAL' in a bold, white, sans-serif font, set against a dark grey rectangular background with a slight shadow effect.

REGAL



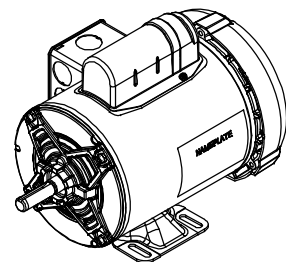
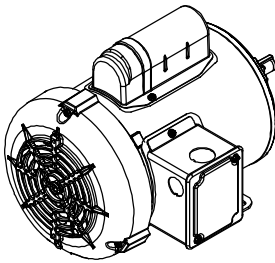
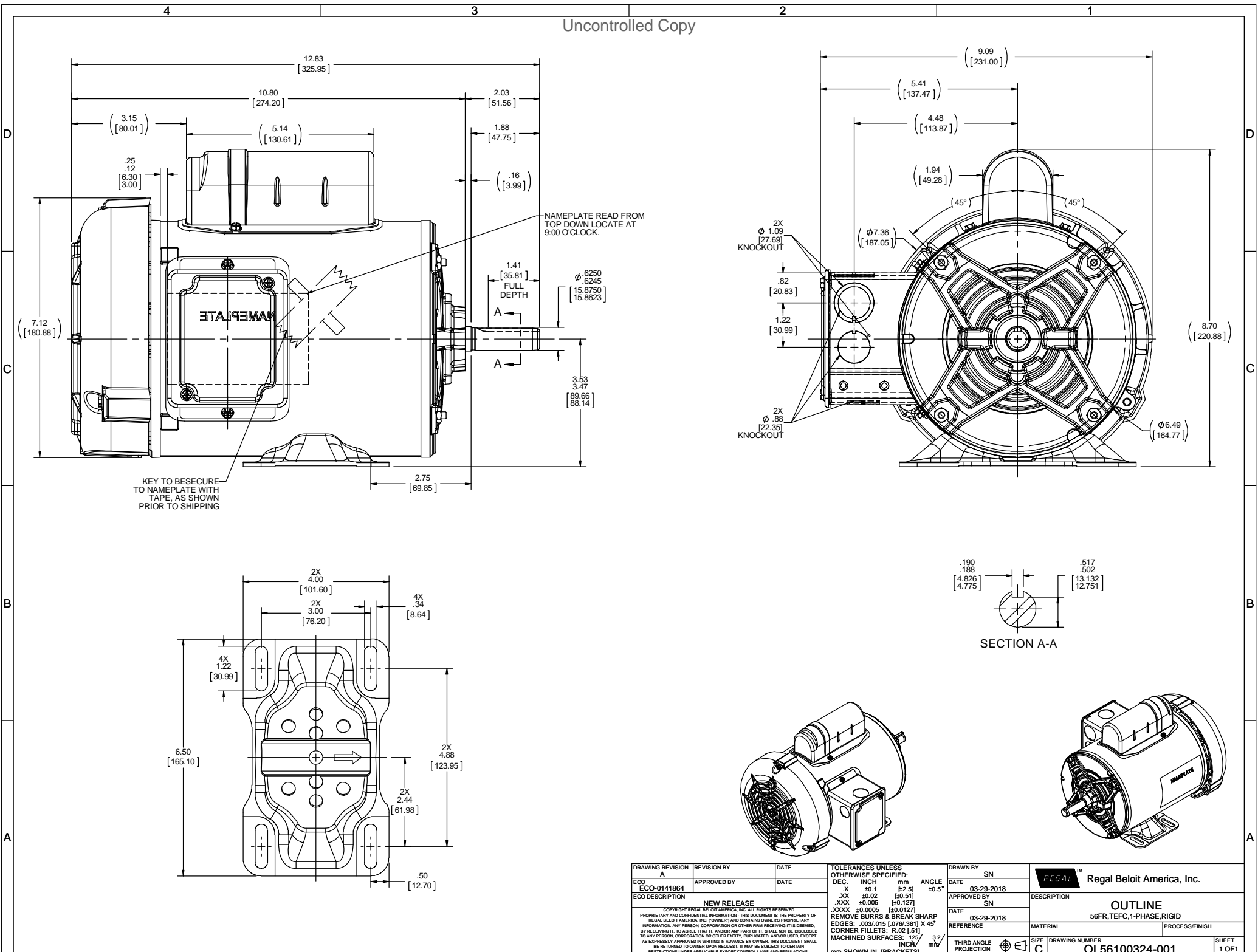
**Nameplate Specifications**

Output HP	.5 Hp	Output KW	0.37 kW
Frequency	60 Hz	Voltage	115/208-230 V
Current	7/3.5-3.5 A	Speed	1725 rpm
Service Factor	1.15	Phase	1
Duty	Continuous	Insulation Class	B
Frame	56	Enclosure	Totally Enclosed Fan Cooled
Thermal Protection	None	Ambient Temperature	40 °C
UL	Recognized	CSA	Y
CE	Y		

**Technical Specifications**

Electrical Type	Capacitor Start Induction Run	Starting Method	Across The Line
Poles	4	Rotation	Selective Counterclockwise
Mounting	Rigid Base	Drive End Bearing	Ball
Opp Drive End Bearing	Ball	Frame Material	Rolled Steel
Shaft Type	NEMA 56	Overall Length	12.83 in
Frame Length	7.15 in	Shaft Diameter	0.625 in
Shaft Extension	1.88 in		

This is an uncontrolled document once printed or downloaded and is subject to change without notice. Date Created:30/10/2019



DRAWING REVISION A		REVISION BY	DATE	TOLERANCES UNLESS OTHERWISE SPECIFIED:		DRAWN BY	SN	Regal Beloit America, Inc.	
ECO-0141864		APPROVED BY	DATE	DEC.	INCH mm ANGLE	DATE	SN		
ECO DESCRIPTION		NEW RELEASE		.X	±0.1 [±2.5]	03-29-2018		DESCRIPTION <b>OUTLINE</b>	
				.XX	±0.02 [±0.51]	APPROVED BY	SN		MATERIAL 56FR, TEFC, 1-PHASE, RIGID
				.XXX	±0.005 [±0.127]	DATE		PROCESS/FINISH	
				.XXXX	±0.0005 [±0.0127]	03-29-2018			
COPYRIGHT REGAL BELOIT AMERICA, INC. ALL RIGHTS RESERVED. PROPRIETARY AND CONFIDENTIAL INFORMATION. THIS DOCUMENT IS THE PROPERTY OF REGAL BELOIT AMERICA, INC. FORMERLY AND CONTAINS OWNERS PROPRIETARY INFORMATION. ANY PERSON, CORPORATION OR OTHER FIRM RECEIVING IT IS DEEMED TO HAVE AGREED TO THE TERMS AND CONDITIONS OF THIS DOCUMENT. IT SHALL NOT BE DISCLOSED TO ANY PERSON, CORPORATION OR OTHER ENTITY, DUPLICATED, AND/OR USED, EXCEPT AS EXPRESSLY APPROVED IN WRITING IN ADVANCE BY OWNER. THIS DOCUMENT SHALL BE RETURNED TO OWNER UPON REQUEST. IT MAY BE SUBJECT TO CERTAIN RESTRICTIONS UNDER APPLICABLE EXPORT CONTROL LAWS AND REGULATIONS.				REMOVE BURRS & BREAK SHARP EDGES: .0031 [0.0787] X 45° CORNER FILLETS: R.02 [51] MACHINED SURFACES: .125 / 3.2 INCH/ mm SHOWN IN [BRACKETS]		REFERENCE	SIZE	DRAWING NUMBER	SHEET
						THIRD ANGLE PROJECTION	C	OL56100324-001	1 OF 1