

PRODUCT INFORMATION PACKET



Model No: C594V1
Catalog No: C594V1
1.5 HP Cow Cooler Motor, 1 phase, 1800 RPM, 115/230 V, 56H Frame, TEAO
Cow Cooler Motors



Regal and Century are trademarks of Regal Beloit Corporation or one of its affiliated companies.
©2019 Regal Beloit Corporation, All Rights Reserved. MC017097E

The REGAL logo is a grey, trapezoidal shape with the word 'REGAL' in white, bold, sans-serif capital letters.

REGAL



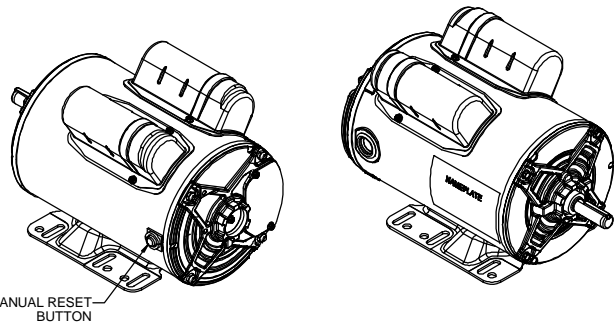
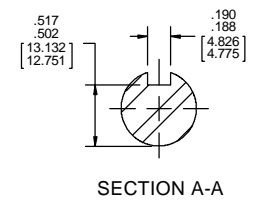
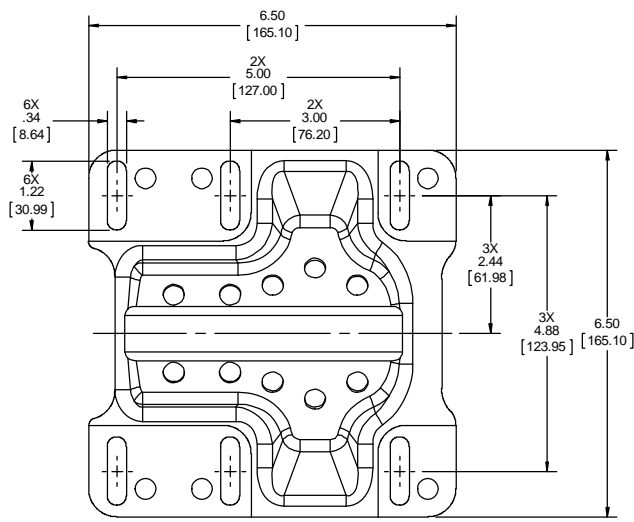
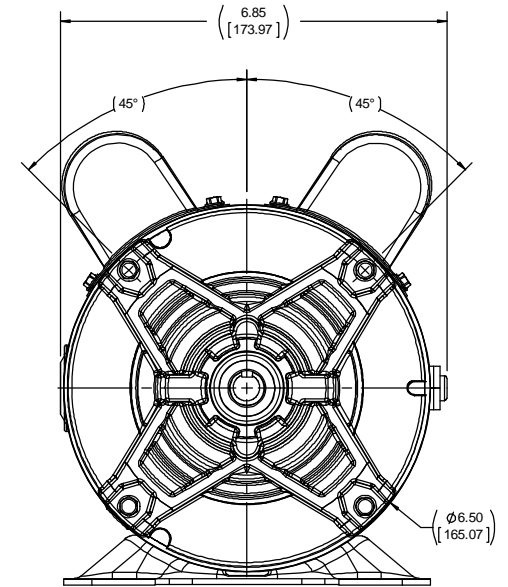
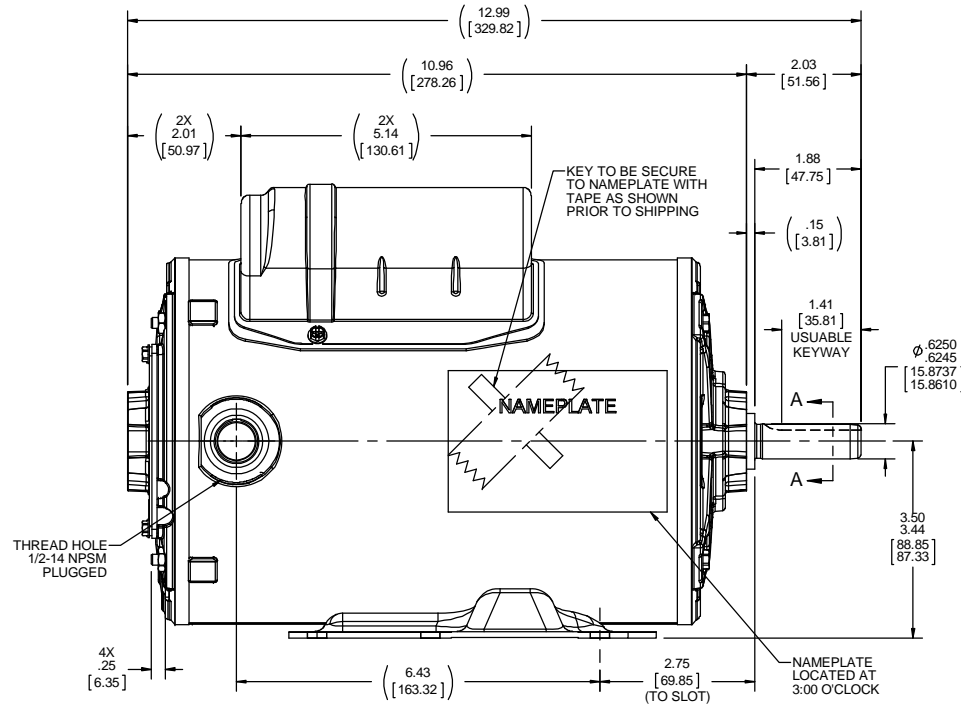
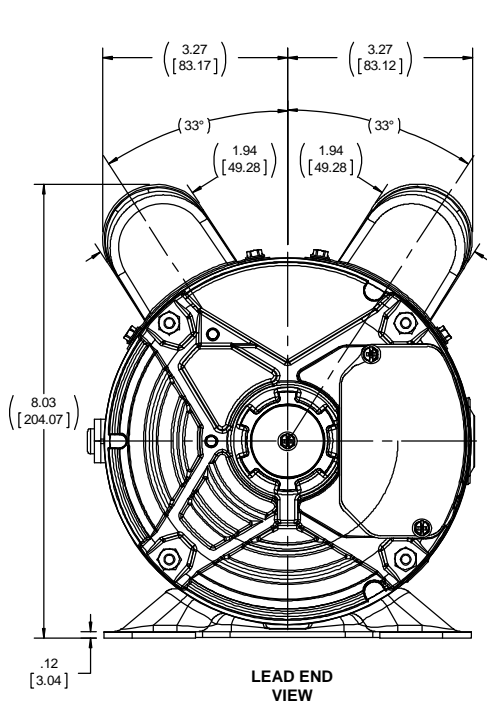
Nameplate Specifications

Output HP	1.5 Hp	Output KW	1.1 kW
Frequency	60 Hz	Voltage	115/230 V
Current	12.2/6.1 A	Speed	1725 rpm
Service Factor	1	Phase	1
Duty	Continuous	Insulation Class	B
Frame	56H	Enclosure	Totally Enclosed Air Over
Thermal Protection	Thermally Protected	Ambient Temperature	40 °C
UL	Recognized	CSA	Y
CE	N		

Technical Specifications

Electrical Type	Shaded Pole	Starting Method	Across The Line
Poles	4	Rotation	Selective Counterclockwise
Mounting	Rigid Base	Drive End Bearing	Ball
Opp Drive End Bearing	Ball	Frame Material	Rolled Steel
Shaft Type	Keyed	Overall Length	12.99 in
Frame Length	8.65 in	Shaft Diameter	0.625 in
Shaft Extension	2.03 in		

This is an uncontrolled document once printed or downloaded and is subject to change without notice. Date Created:30/10/2019



DRAWING REVISION A		REVISION BY D.VALENCIANO	DATE 03-14-2018	TOLERANCES UNLESS OTHERWISE SPECIFIED: DEC. INCH mm ANGLE		DRAWN BY D.VALENCIANO	Regal Beloit America, Inc.
ECO-0137052		APPROVED BY M.RAMIREZ	DATE 03-14-2018	.X ±0.1 [2.5] ±0.5°	.XX ±0.02 [0.51]	DATE 03-14-2018	
ECO DESCRIPTION SAMPLE RELEASED				.XXX ±0.005 [0.127]	.XXXX ±0.0005 [±0.0127]	APPROVED BY M.RAMIREZ	MATERIAL 56FR,TEAO,RIGID,1-PHASE
<small>COPYRIGHT REGAL BELOIT AMERICA, INC. ALL RIGHTS RESERVED. REGAL BELOIT AMERICA, INC. FORMERLY AND CONTAINS OWNERS PROPRIETARY INFORMATION. ANY PERSON, CORPORATION OR OTHER FIRM RECEIVING IT IS DEEMED BY RECEIVING IT, TO AGREE THAT IT, AND/OR ANY PART OF IT, SHALL NOT BE DISCLOSED TO ANY PERSON, CORPORATION OR OTHER ENTITY, DUPLICATED, AND/OR USED, EXCEPT AS EXPRESSLY APPROVED IN ADVANCE BY OWNER. THIS DOCUMENT SHALL BE RETURNED TO OWNER UPON REQUEST. IT MAY BE SUBJECT TO CERTAIN RESTRICTIONS UNDER APPLICABLE EXPORT CONTROL LAWS AND REGULATIONS.</small>				REMOVE BURRS & BREAK SHARP EDGES: .0031 [0.15] [0.78] [381] X 45° CORNER FILLETS: R.02 [51]	MACHINED SURFACES: 125 / 3.2 INCH / mm	REFERENCE	PROCESS/FINISH
THIRD ANGLE PROJECTION		SIZE C	DRAWING NUMBER OL56100313-001	SHEET 1 OF 1			