

# PRODUCT INFORMATION PACKET



Model No: C582V1  
Catalog No: C582V1  
1 HP Belt Drive Fan Motor, 1 phase, 1800 RPM, 115/230 V, 56H Frame, TEAO  
Belt Drive Fan Motors



Regal and Century are trademarks of Regal Beloit Corporation or one of its affiliated companies.  
©2019 Regal Beloit Corporation, All Rights Reserved. MC017097E

The REGAL logo consists of the word 'REGAL' in a bold, white, sans-serif font, set within a dark grey, trapezoidal shape that tapers to the right. This logo is positioned on a vertical blue gradient bar that runs down the right side of the page.

REGAL



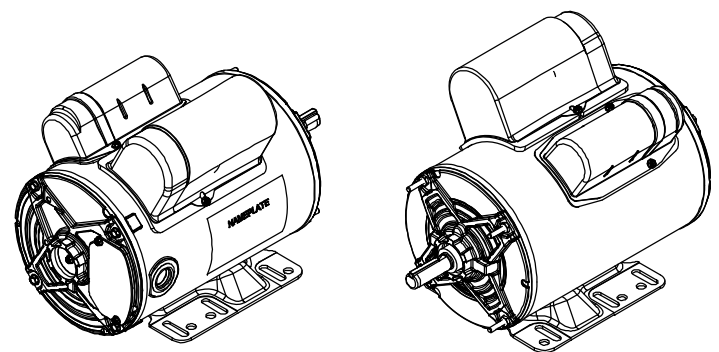
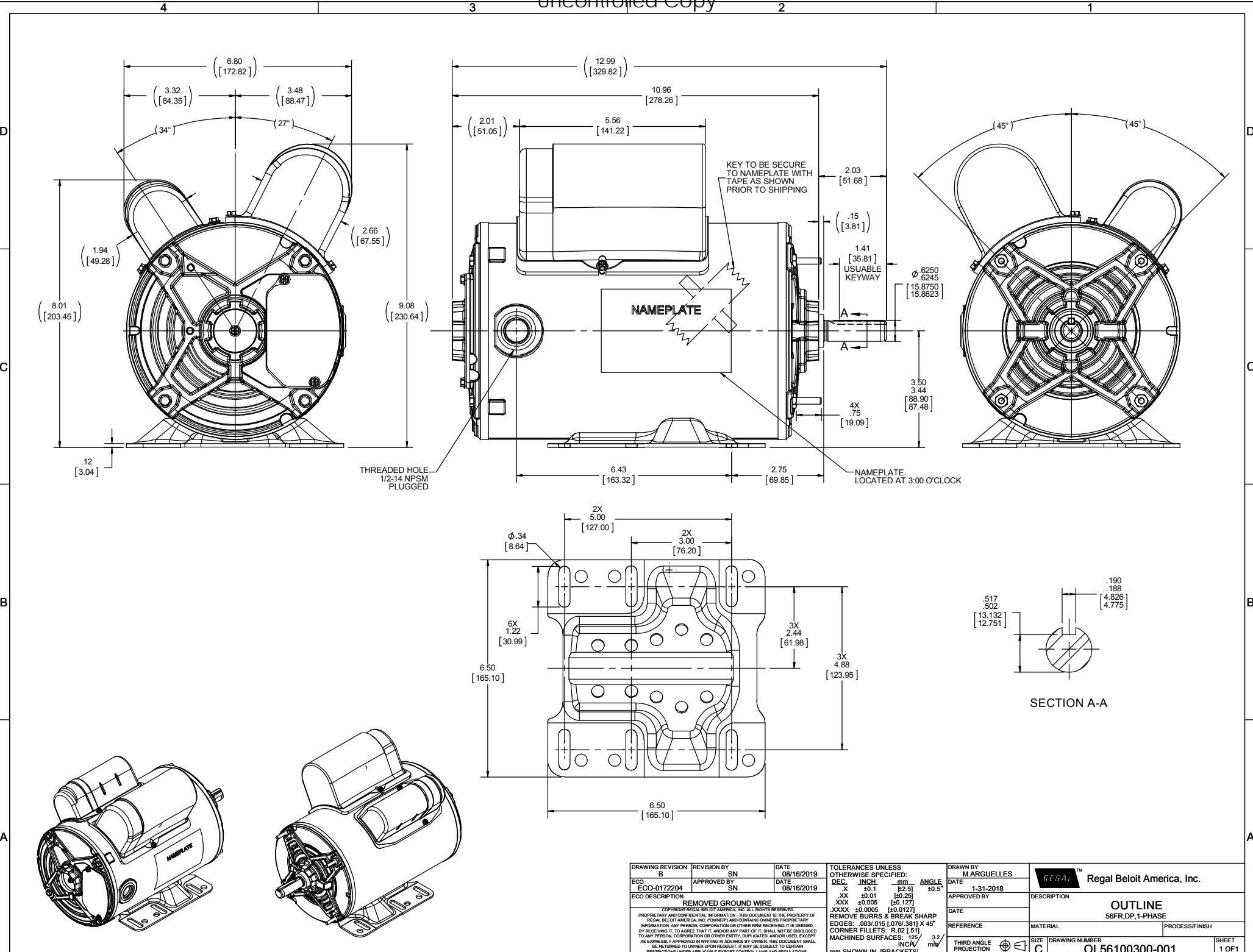
**Nameplate Specifications**

|                    |                            |                     |                                  |
|--------------------|----------------------------|---------------------|----------------------------------|
| Output HP          | <b>1 Hp</b>                | Output KW           | <b>0.75 kW</b>                   |
| Frequency          | <b>60 Hz</b>               | Voltage             | <b>115/230 V</b>                 |
| Current            | <b>7.8/3.9 A</b>           | Speed               | <b>1725 rpm</b>                  |
| Service Factor     | <b>1</b>                   | Phase               | <b>1</b>                         |
| Duty               | <b>Continuous</b>          | Insulation Class    | <b>B</b>                         |
| Frame              | <b>56H</b>                 | Enclosure           | <b>Totally Enclosed Air Over</b> |
| Thermal Protection | <b>Thermally Protected</b> | Ambient Temperature | <b>40 °C</b>                     |
| UL                 | <b>Recognized</b>          | CSA                 | <b>Y</b>                         |
| CE                 | <b>N</b>                   |                     |                                  |

**Technical Specifications**

|                       |                    |                   |                                   |
|-----------------------|--------------------|-------------------|-----------------------------------|
| Electrical Type       | <b>Shaded Pole</b> | Starting Method   | <b>Across The Line</b>            |
| Poles                 | <b>4</b>           | Rotation          | <b>Selective Counterclockwise</b> |
| Mounting              | <b>Rigid Base</b>  | Drive End Bearing | <b>Ball</b>                       |
| Opp Drive End Bearing | <b>Ball</b>        | Frame Material    | <b>Rolled Steel</b>               |
| Shaft Type            | <b>NEMA 56</b>     | Overall Length    | <b>12.99 in</b>                   |
| Frame Length          | <b>8.65 in</b>     | Shaft Diameter    | <b>0.625 in</b>                   |
| Shaft Extension       | <b>2.03 in</b>     |                   |                                   |

This is an uncontrolled document once printed or downloaded and is subject to change without notice. Date Created:30/10/2019



|   |                   |                    |   |                        |   |
|---|-------------------|--------------------|---|------------------------|---|
| DRAWING REVISION<br>B   | REVISION BY<br>SN | DATE<br>08/16/2019 | TOLERANCES UNLESS OTHERWISE SPECIFIED:<br>DEC. INCH mm ANGLE                              | DRAWN BY<br>MARGUELLES | Regal Beloit America, Inc.                |
| ECO-0172204   | APPROVED BY<br>SN | DATE<br>08/16/2019 | .X ±0.1 [2.5] 30.5°<br>.XX ±0.01 [0.25]<br>.XXX ±0.005 [0.127]<br>.XXXX ±0.0005 [±0.0127] | DATE<br>1-31-2018      |   |
| ECO DESCRIPTION<br>REMOVED GROUND WIRE  |                   |                    | REMOVE BURRS & BREAK SHARP EDGES: .0031 .015 [0.076/ 381] X 45° CORNER FILLETS: R.02 [51] | APPROVED BY            | DESCRIPTION<br>OUTLINE<br>56FR.DP.1-PHASE |
| <small>COPYRIGHT REGAL BELOIT AMERICA, INC. ALL RIGHTS RESERVED.<br/>PROPRIETARY AND CONFIDENTIAL INFORMATION. THIS DOCUMENT IS THE PROPERTY OF REGAL BELOIT AMERICA, INC. OWNERS AND CONTAINS OWNERS PROPRIETARY INFORMATION. ANY PERSON, CORPORATION OR OTHER FIRM RECEIVING IT IS DEMAND BY RECEIVING IT, TO AGREE THAT IT, AND/OR ANY PART OF IT, SHALL NOT BE DISCLOSED TO ANY PERSON, CORPORATION OR OTHER ENTITY, DUPLICATED, AND/OR USED, EXCEPT AS EXPRESSLY APPROVED IN WRITING IN ADVANCE BY OWNER. THIS DOCUMENT SHALL BE RETURNED TO OWNER UPON REQUEST. IT MAY BE SUBJECT TO CERTAIN RESTRICTIONS UNDER APPLICABLE EXPORT CONTROL LAWS AND REGULATIONS.</small> |                   |                    | MACHINED SURFACES: .125/ 3.2 INCH/ mm SHOWN IN [BRACKETS]                                 | DATE                   | MATERIAL                                  |
|   |                   |                    | THIRD ANGLE PROJECTION  | REFERENCE              | PROCESS/FINISH                            |
|   |                   |                    | SIZE  | DRAWING NUMBER         | SHEET                                     |
|   |                   |                    | C   | OL56100300-001         | 1 OF 1                                    |