

PRODUCT INFORMATION PACKET



Model No: C581V1
Catalog No: C581V1
.75 HP Belt Drive Fan Motor, 1 phase, 1800 RPM, 115/230 V, 56 Frame, TEAO
Belt Drive Fan Motors



Regal and Century are trademarks of Regal Beloit Corporation or one of its affiliated companies.
©2019 Regal Beloit Corporation, All Rights Reserved. MC017097E

The REGAL logo is a grey rectangular box with the word 'REGAL' in white, bold, uppercase letters. It is positioned on a blue, textured vertical bar that runs down the right side of the page.

REGAL



Nameplate Specifications

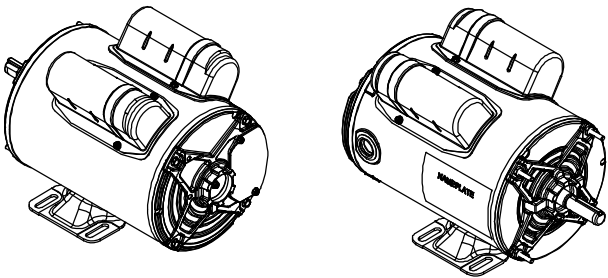
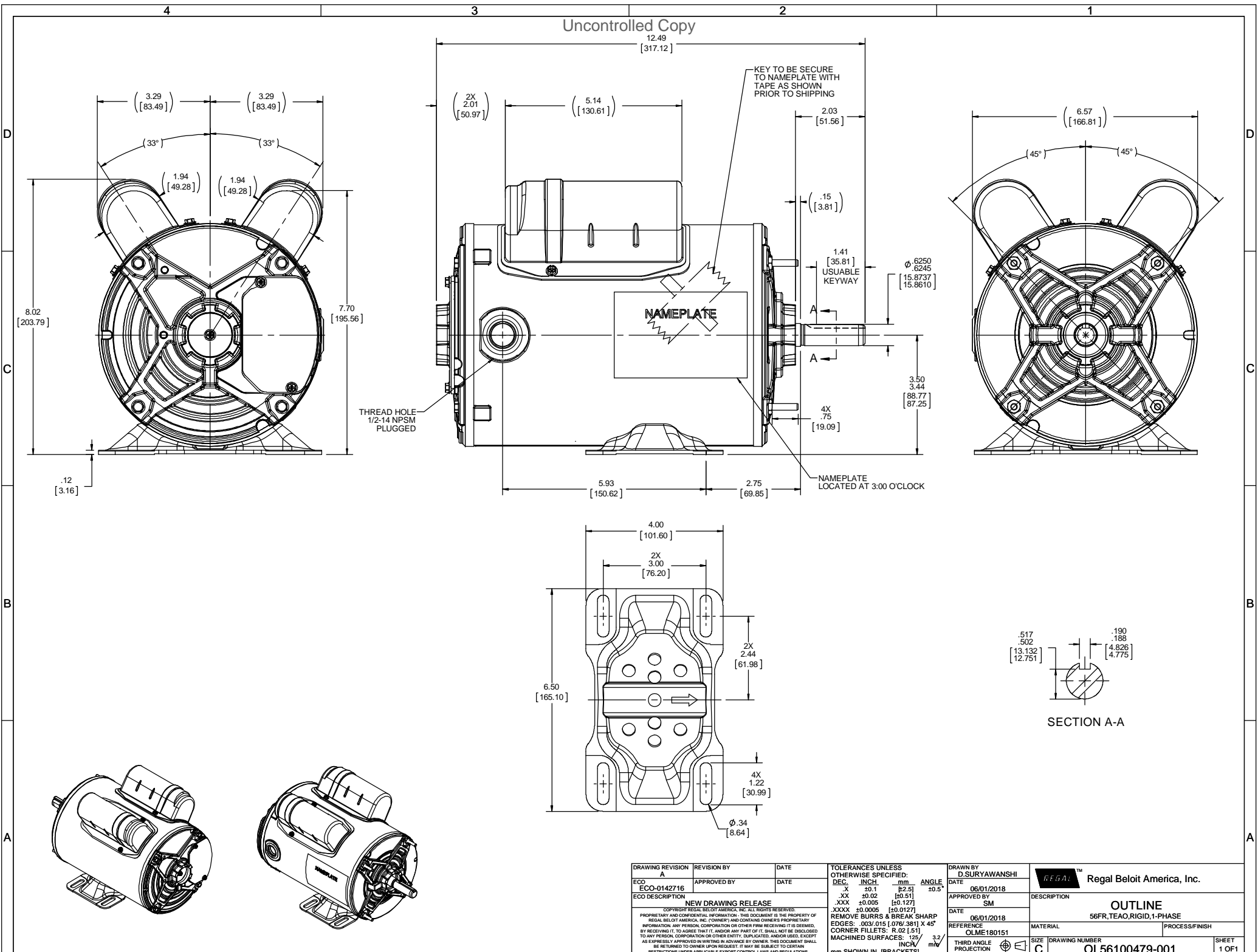
Output HP	.75 Hp	Output KW	0.56 kW
Frequency	60 Hz	Voltage	115/230 V
Current	5.8/2.9 A	Speed	1725 rpm
Service Factor	1	Phase	1
Duty	Continuous	Insulation Class	B
Frame	56	Enclosure	Totally Enclosed Air Over
Thermal Protection	Thermally Protected	Ambient Temperature	40 °C
UL	Recognized	CSA	Y
CE	N		

Technical Specifications

Electrical Type	Shaded Pole	Starting Method	Across The Line
Poles	4	Rotation	Selective Counterclockwise
Mounting	Rigid base	Drive End Bearing	Ball
Opp Drive End Bearing	Ball	Frame Material	Rolled Steel
Shaft Type	NEMA 56	Overall Length	12.49 in
Frame Length	8.15 in	Shaft Diameter	0.625 in
Shaft Extension	2.03 in		

This is an uncontrolled document once printed or downloaded and is subject to change without notice. Date Created:30/10/2019

Uncontrolled Copy



DRAWING REVISION A	REVISION BY	DATE	TOLERANCES UNLESS OTHERWISE SPECIFIED: DEC. INCH mm ANGLE	DRAWN BY D.SURYAWANSHI	REGAL™ Regal Beloit America, Inc.
ECO-0142716	APPROVED BY	DATE	.X ±0.1 [2.5] 0.5° .XX ±0.02 [0.51] .XXX ±0.005 [0.127] .XXXX ±0.0005 [±0.0127]	DATE 06/01/2018	DESCRIPTION OUTLINE
NEW DRAWING RELEASE			REMOVE BURRS & BREAK SHARP EDGES: .003/.015 [0.076/.381] X 45° CORNER FILLETS: 1. R. 02 [51] MACHINED SURFACES: 125/ 3.2 INCH/ mmv	APPROVED BY SM	MATERIAL 56FR, TEAO, RIGID, 1-PHASE
COPYRIGHT REGAL BELOIT AMERICA, INC. ALL RIGHTS RESERVED. PROPRIETARY AND CONFIDENTIAL INFORMATION. THIS DOCUMENT IS THE PROPERTY OF REGAL BELOIT AMERICA, INC. FORMER AND CONTAINS OWNERS PROPRIETARY INFORMATION. ANY PERSON, CORPORATION OR OTHER FIRM RECEIVING IT IS DEEMED BY RECEIVING IT, TO AGREE THAT IT, AND/OR ANY PART OF IT, SHALL NOT BE DISCLOSED TO ANY PERSON, CORPORATION OR OTHER ENTITY, DUPLICATED, AND/OR USED, EXCEPT AS EXPRESSLY APPROVED IN ADVANCE BY OWNER. THIS DOCUMENT SHALL BE RETURNED TO OWNER UPON REQUEST. IT MAY BE SUBJECT TO CERTAIN RESTRICTIONS UNDER APPLICABLE EXPORT CONTROL LAWS AND REGULATIONS.			THIRD ANGLE PROJECTION	REFERENCE OLME180151	PROCESS/FINISH
			SIZE C	DRAWING NUMBER OL56100479-001	SHEET 1 OF 1