

# PRODUCT INFORMATION PACKET



Model No: C532V1  
Catalog No: C532V1

0.5/0.14 HP Fan and Blower HVAC/R Motor, 1 phase, 1800 RPM, 115 V, 56 Frame, ODP  
Belt Drive Motors



Regal and Century are trademarks of Regal Beloit Corporation or one of its affiliated companies.  
©2019 Regal Beloit Corporation, All Rights Reserved. MC017097E

The REGAL logo consists of the word 'REGAL' in a bold, white, sans-serif font, set against a dark gray rectangular background with a slight shadow effect.

REGAL



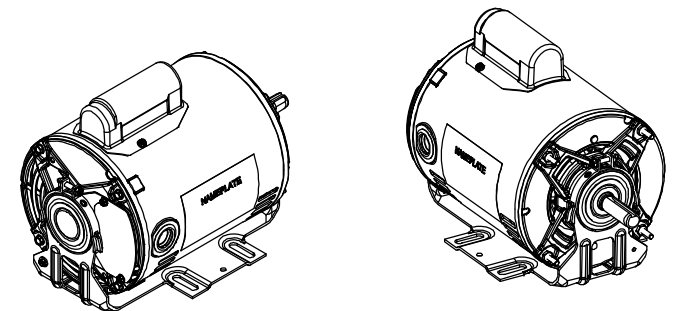
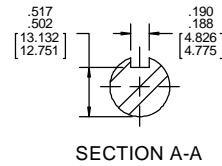
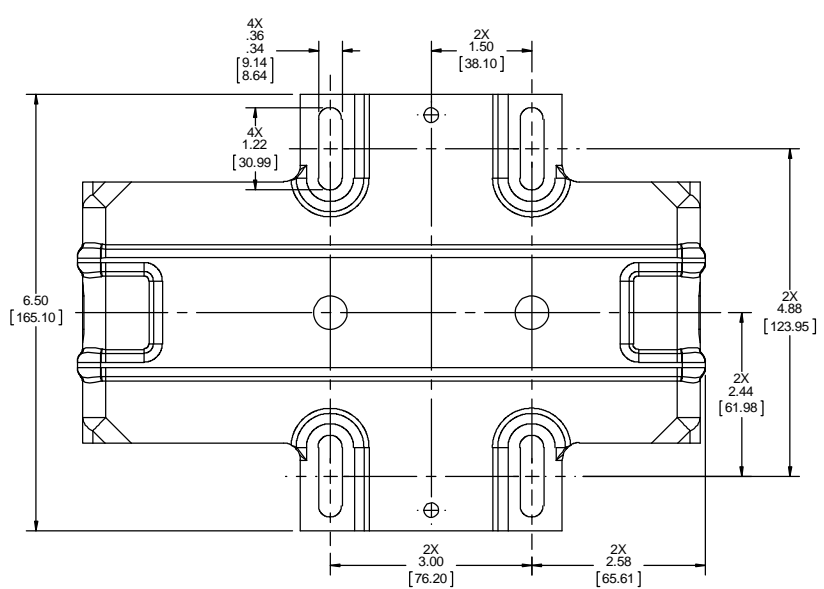
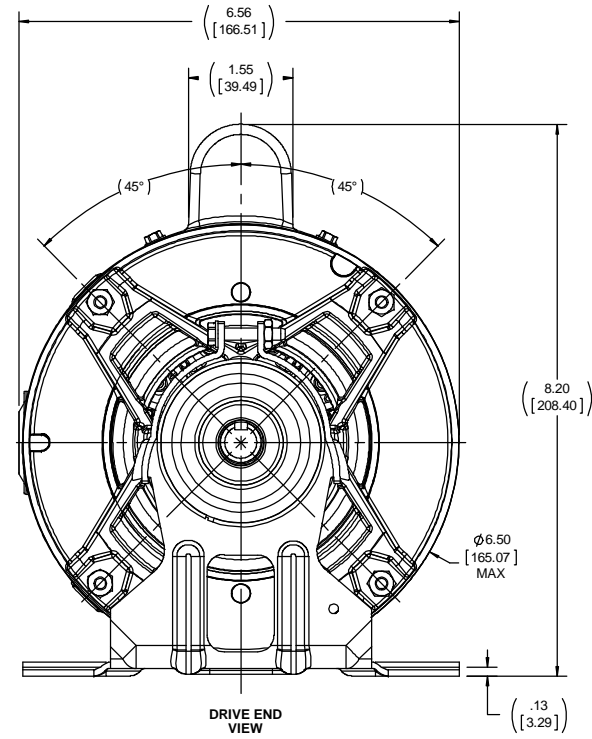
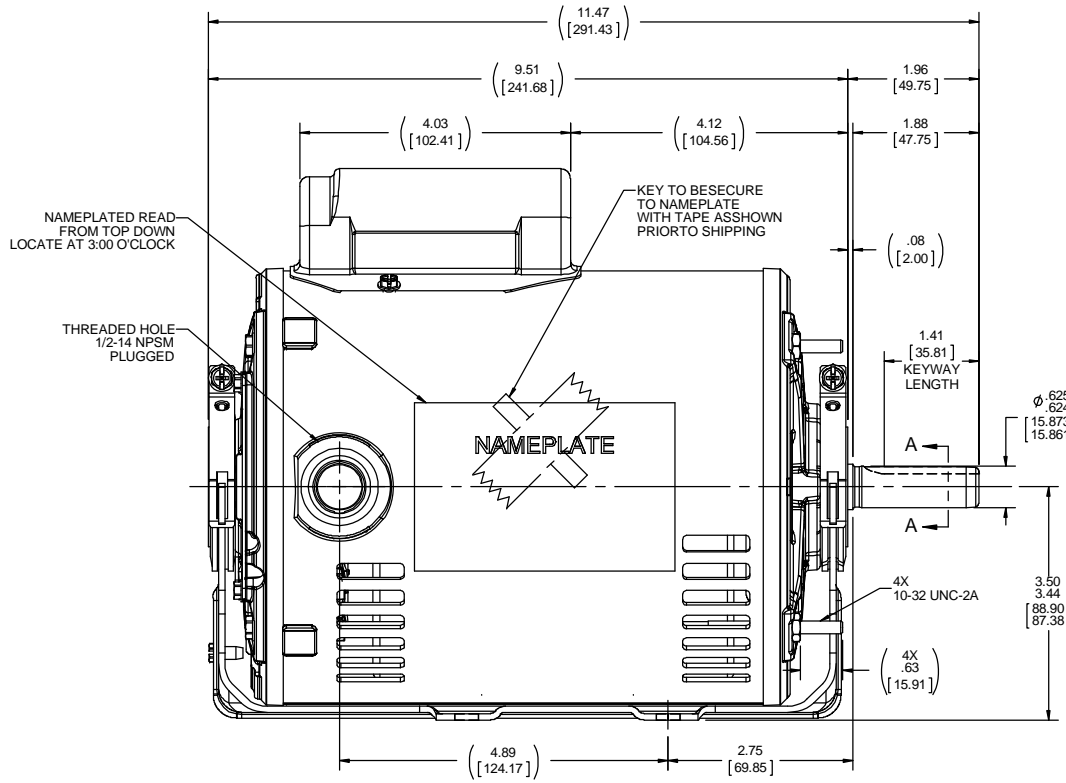
**Nameplate Specifications**

Output HP	0.5/0.14 Hp	Output KW	0.37 kW
Frequency	60 Hz	Voltage	115 V
Current	6.9/4.1 A	Speed	1725/1140 rpm
Service Factor	1.25	Phase	1
Duty	Continuous	Insulation Class	B
Frame	56	Enclosure	Drip Proof
Thermal Protection	Thermally Protected	Ambient Temperature	40 °C
UL	Recognized	CSA	Y
CE	N		

**Technical Specifications**

Electrical Type	Capacitor Start Induction Run	Starting Method	Across The Line
Poles	4/6	Rotation	Selective Counterclockwise
Mounting	Resilient Base	Drive End Bearing	Ball
Opp Drive End Bearing	Ball	Frame Material	Rolled Steel
Shaft Type	Keyed	Overall Length	11.47 in
Frame Length	7.25 in	Shaft Diameter	0.625 in
Shaft Extension	1.96 in		

This is an uncontrolled document once printed or downloaded and is subject to change without notice. Date Created:30/10/2019



DRAWING REVISION A	REVISION BY D.VALENCIANO	DATE 04-14-2018	TOLERANCES UNLESS OTHERWISE SPECIFIED: DEC. INCH mm ANGLE .X ±0.1 [2.5] ±7 30° .XX ±0.02 [0.51] .XXX ±0.005 [0.127] .XXXX ±0.0005 [0.0127] REMOVE BURRS & BREAK SHARP EDGES: .0031 [0.076] [381] CORNER FILLETS: .02 [0.51] MACHINED SURFACES: 200 / 5.1 INCH/ mm SHOWN IN (BRACKETS)	DRAWN BY D.VALENCIANO	Regal Beloit America, Inc.
ECO-0143331	APPROVED BY C.ARREOLA	DATE 04-14-2018	DATE 04-14-2018	DESCRIPTION OUTLINE 56FR, DP, RESILIENT, 1-PHASE	
ECO DESCRIPTION NEW MODEL RELEASE COPYRIGHT REGAL BELOIT AMERICA, INC. ALL RIGHTS RESERVED. PROPRIETARY AND CONFIDENTIAL INFORMATION. THIS DOCUMENT IS THE PROPERTY OF REGAL BELOIT AMERICA, INC. OWNERSHIP AND CONTAINS OWNERS PROPRIETARY INFORMATION. ANY PERSON, CORPORATION OR OTHER FIRM RECEIVING IT IS DEEMED TO AGREE THAT IT, AND ANY PART OF IT, SHALL NOT BE DISCLOSED TO ANY PERSON, CORPORATION OR OTHER ENTITY, DUPLICATED, AND/OR USED, EXCEPT AS EXPRESSLY APPROVED IN WRITING IN ADVANCE BY OWNER. THIS DOCUMENT SHALL BE RETURNED TO OWNER UPON REQUEST. IT MAY BE SUBJECT TO CERTAIN RESTRICTIONS UNDER APPLICABLE EXPORT CONTROL LAWS AND REGULATIONS.			REFERENCE THIRD ANGLE PROJECTION	MATERIAL	PROCESS/FINISH
			SIZE C	DRAWING NUMBER QL56100333-001	SHEET 1 OF 1