

# PRODUCT INFORMATION PACKET



Model No: C507

Catalog No: C507

1.5 HP General Purpose Motor, 1 phase, 1800 RPM, 208-230/115 V, 56C Frame, TEFC  
Single Phase TEFC Motors



Regal and Century are trademarks of Regal Beloit Corporation or one of its affiliated companies.

©2019 Regal Beloit Corporation, All Rights Reserved. MC017097E

The REGAL logo consists of the word 'REGAL' in a bold, white, sans-serif font, set against a dark grey, trapezoidal background.



**Nameplate Specifications**

Output HP	1.5 Hp	Output KW	1.1 kW
Frequency	60 Hz	Voltage	208-230/115 V
Current	7.7-7.5/15.0 A	Speed	1725 rpm
Service Factor	1.15	Phase	1
Duty	Continuous	Insulation Class	B
Frame	X56C	Enclosure	Totally Enclosed Fan Cooled
Thermal Protection	None	Ambient Temperature	40 °C
UL	Recognized	CSA	Y
CE	N		

**Technical Specifications**

Electrical Type	Capacitor Start, Capacitor Run, Single Or Dual Voltage	Starting Method	Across The Line
Poles	4	Rotation	Reversible Counterclockwise
Mounting	Round	Drive End Bearing	Ball
Opp Drive End Bearing	Ball	Frame Material	Rolled Steel
Shaft Type	Keyed	Overall Length	13.71 in
Frame Length	7.50 in	Shaft Diameter	0.625 in
Shaft Extension	2.07 in		

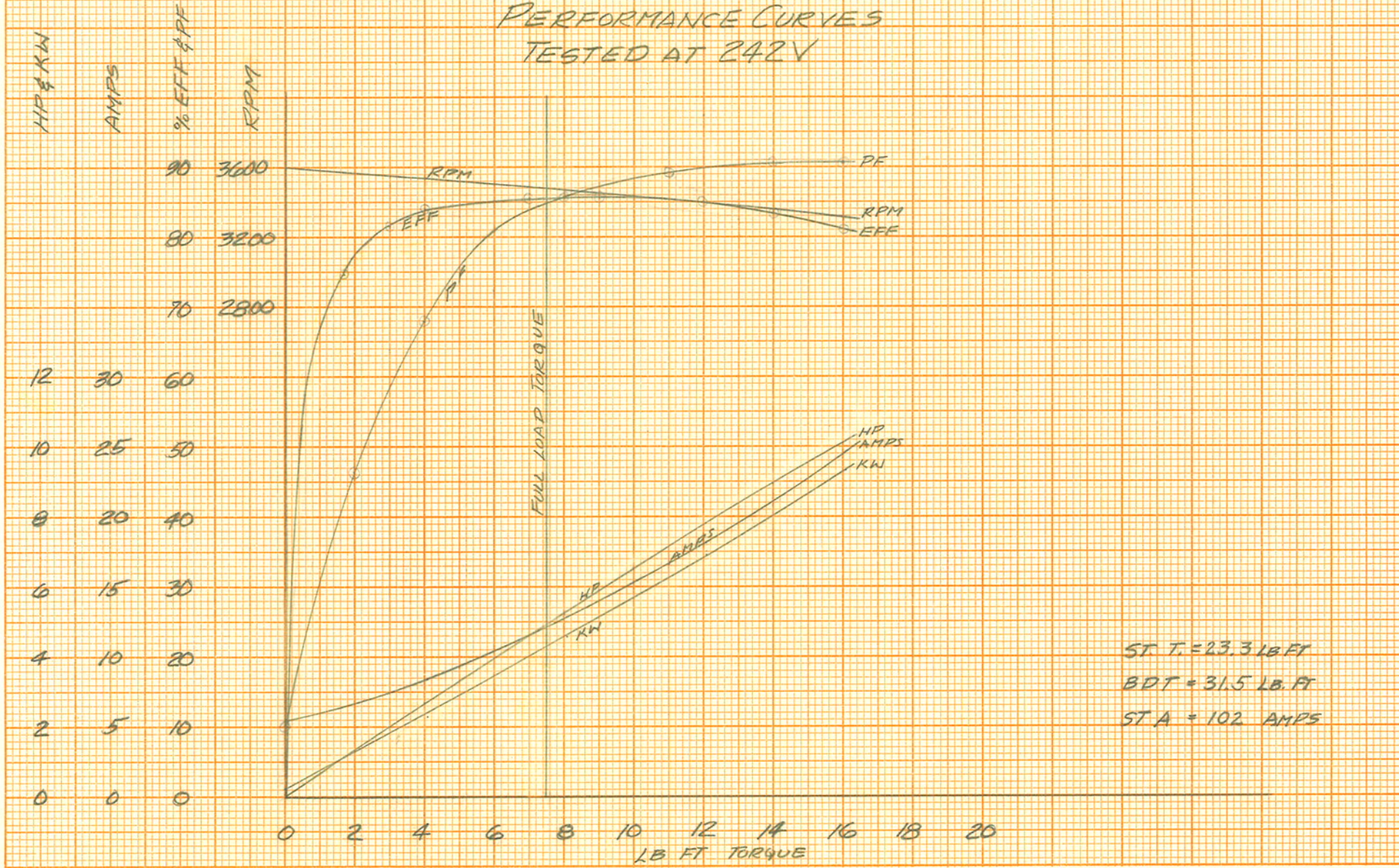
This is an uncontrolled document once printed or downloaded and is subject to change without notice. Date Created:04/11/2019



C-507

EX-1707-2

A. O. SMITH CORP  
 ELECTRIC MOTOR DIVISION  
 5 HP, 220V, 60c, 2 POLE, 3 PH HERMETIC MOTOR  
 PERFORMANCE CURVES  
 TESTED AT 242V

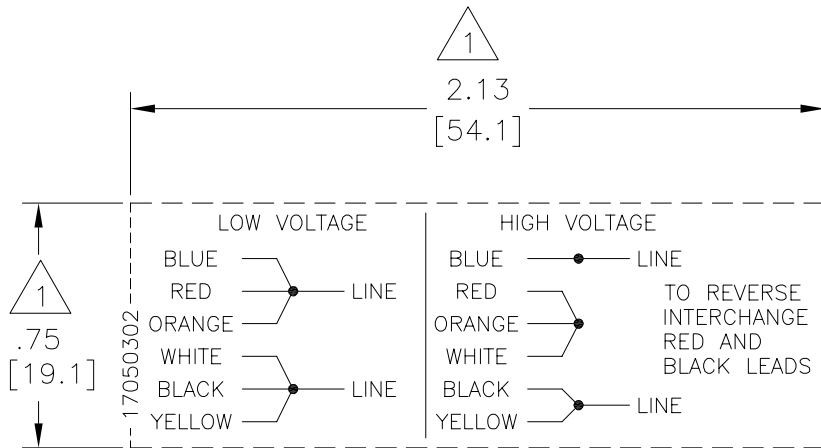


ST T. = 23.3 LB FT  
 BDT = 31.5 LB FT  
 ST A = 102 AMPS

C-507



REV	ECO	REV BY	DATE	APPD	DATE
Y	ECO-0022098	J. COX	04-24-2012	C. McREYNOLDS	04-24-2012



NOTES:

1. DOTTED BOX REPRESENTS TOTAL PRINTED AREA ALLOWED FOR CONNECTION DIAGRAM TO FIT IN. THIS AREA DOES NOT INCLUDE THE BORDER AROUND THE CONNECTION DIAGRAM. SEE NAMEPLATE DRAWING 170500 OR 170501 FOR LOCATION.
2. DETAILS ARE NOT TO BE COPIED FROM DRAWING, BUT ARE TO BE REPRODUCED FROM ORIGINAL ARTWORK FURNISHED.
3. CHARACTERS ARE TO BE A MINIMUM OF .03[.8] TO .06[1.5] MAXIMUM IN HEIGHT.

GEOMETRIC CHARACTERISTICS & SYMBOLS

- ▭ FLATNESS
- STRAIGHTNESS
- ∠ ANGULARITY
- ⊥ PERPENDICULARITY (SQUARENESS)
- ∥ PARALLELISM
- ROUNDNESS (CIRCULARITY)
- ⊘ CYLINDRICITY
- △ PROFILE OF ANY SURFACE
- ⌒ PROFILE OF ANY LINE
- ↗ RUNOUT
- ⊕ TRUE POSITION
- ⊗ CONCENTRICITY
- ⊖ SYMMETRY

ASME Y14.5M 1994

UNLESS OTHERWISE SPECIFIED  
DIM. TOLERANCES ARE AS FOLLOWS:

INCH	±.1	±.02	±.005	±.0005
mm	±0.5	±0.13	±0.013	

ANG. ±.50 DEG  
REMOVE BURRS & BREAK SHARP EDGES:  
INCH .003-.015 mm 0.1-0.4

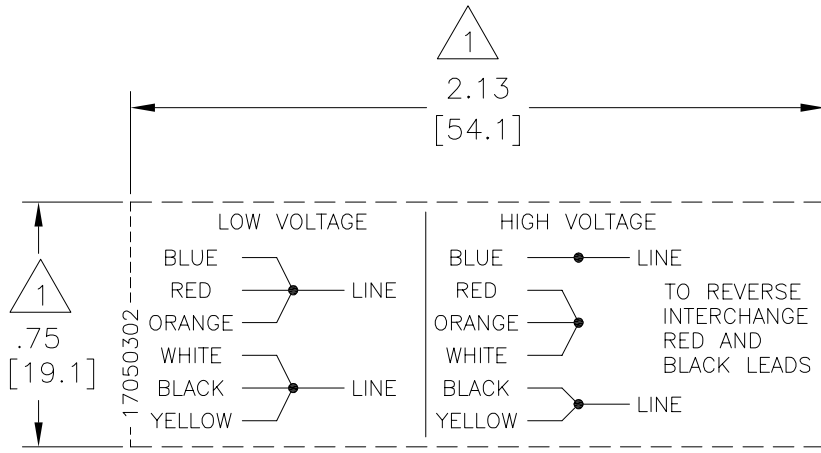
CORNER FILLETS TO:  
INCH .020 mm 0.5  
MACHINE SURFACES:  
INCH 125 mm 3.2

METRIC DIMS. SHOWN IN [BRACKETS]

DR BY:	MLC	03-04-1985
APPD:	MLC	03-13-1985
THIRD ANGLE PROJECTION		EDS DATE 11-11-2011 FORMAT REV G
CONFIDENTIAL: THIS DRAWING AND ITS INFORMATION ARE THE EXCLUSIVE AND CONFIDENTIAL PROPERTY OF REGAL-BELOIT CORPORATION AND ARE NOT TO BE DISCLOSED, DUPLICATED, DISTRIBUTED OR OTHERWISE USED WITHOUT THE WRITTEN CONSENT OF REGAL-BELOIT CORPORATION. -ALL RIGHTS RESERVED.		

DESCRIPTION CONN DIAGRAM-NAMEPLATE	
SIZE A	DWG NO 17050302
SCALE NONE	SHEET 1

REVISION:	ECO	REVISADO POR:	J. COX	FECHA:	04-24-2012	APROBADO POR:	C. McREYNOLDS	FECHA:	04-24-2012
Y	ECO-0022098								



NOTAS:

- LA CAJA PUNTEADA REPRESENTA EL AREA TOTAL IMPRESA PERMITIDA PARA EL DIAGRAMA DE CONEXION PARA QUE ENCAJE EN ESTA AREA NO INCLUYE EL BORDE AL REDEDOR DEL DIAGRAMA DE CONEXION. VER DIBUJO DE PLACA DE DATOS 170500 O 170501 PARA UBICACION.
- LOS DETALLES NO DEBEN SER COPIADOS DEL DIBUJO, PERO VA A SER REPRODUCIDA DEL TRABAJO ORIGINAL SUMINISTRADO.
- LOS CARACTERES SON DE UN MINIMO DE .03[.8] A .06[1.5] EN ALTURA MAXIMA.

CARACTERISTICAS DE GEOMETRIA Y SIMBOLOS

- ∇ PLANICIDAD
- RECTITUD
- ∠ ANGULARIDAD
- ⊥ PERPENDICULARIDAD (A ESCUADRA)
- // PARALELISMO
- REDONDEZ (CIRCULARIDAD)
- ⊘ CILINDRICIDAD
- △ PERFIL DE CUALQUIER SUPERFICIE
- ∩ PERFIL DE CUALQUIER LINEA
- ↑ VARIACION
- ⊙ POSICION REAL
- ⊕ CONCENTRICIDAD
- ⊖ SIMETRIA

ASME Y14.5M 1994

A MENOS QUE SE ESPECIFIQUE DE OTRA MANERA, LAS TOLERANCIAS DE LAS DIMS. SON LAS SIGUIENTES:

PULG	±.1	±.02	±.005	±.0005
mm	±0.5	±0.13	±0.013	

ANG. ±.50 GRADOS  
ELIMINAR REBABAS Y ORILLAS FILOSAS DEL BORDE.

PULG	.003-.015	mm	0.1-0.4
------	-----------	----	---------

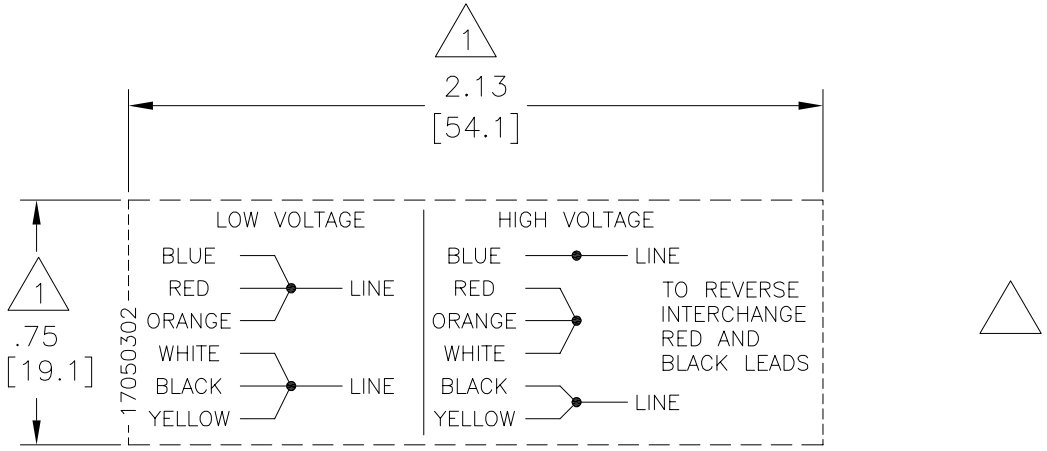
FILETEAR ESQUINA: PULG .020 mm 0.5  
MAQUINAR SUPERFICIES  
PULG 125 mm 3.2

DIMS METRICAS MOSTRADAS [PARENTESIS]

DIBUJADO POR:	MLC	03-04-1985
APROBADO POR:	MLC	03-13-1985
TERCER ANGULO DE PROYECCION		FECHA EDS: 11-11-2011 REV. FORMATO: G
CONFIDENCIAL: ESTE DIBUJO Y SU INFORMACION SON PROPIEDAD DE USO EXCLUSIVO Y CONFIDENCIAL DE REGAL-BELOIT CORPORATION Y NO DEBERAN SER REVELADOS, DUPLICADOS, DISTRIBUIDOS O USARSE DE OTRA MANERA SIN EL CONSENTIMIENTO ESCRITO DE REGAL-BELOIT CORPORATION.-TODOS LOS DERECHOS RESERVADOS.		

DESCRIPCION: CONN DIAGRAM-NAMEPLATE	
TAMAÑO: A	NUMERO DE DIBUJO: 17050302
ESCALA: NONE	HOJA: 1

版本	ECO	编制	日期	批准	日期
Y	ECO-0022098	J. COX	04-24-2012	C. McREYNOLDS	04-24-2012



形位公差  
 □ 平面度  
 — 直线度  
 < 倾斜度  
 ⊥ 垂直度  
 // 平行度  
 ○ 圆度  
 ⌀ 圆柱度  
 面轮廓度  
 线轮廓度  
 圆跳动  
 位置度  
 同轴度  
 对称度

ASME Y14.5M 1994

除另有注明  
 尺寸公差如下:  
 英寸 X XX XXX XXXX  
 毫米 ±.1 ±.02 ±.005 ±.0005  
 毫米 ±0.5 ±0.13 ±0.013  
 角度 ±.50 度  
 清理毛刺和尖棱  
 英寸 .003-.015 毫米 0.1-0.4  
 内圆角  
 英寸 .020 毫米 0.5  
 表面粗糙度  
 英制 125 米制 3.2  
 米制尺寸显示在 [ ]

绘图:	MLC	03-04-1985
批准:	MLC	03-13-1985
第三角投影		图纸格式发布日期 11-11-2011 图纸格式版本 G
机密:本图纸及相关信息所有权归REGAL-BELOIT CORPORATION. 未经REGAL-BELOIT CORPORATION书面授权, 不得泄露、复制、传播或作其他用途。--版权所有		

名称 CONN DIAGRAM-NAMEPLATE	
图幅 A	图号 17050302
比例 NONE	页号 1