

PRODUCT INFORMATION PACKET



Model No: C457ES
Catalog No: C457ES
1/3 HP General Purpose Motor, 1 phase, 1800 RPM, 115/230 V, 56 Frame, ODP
Single Phase ODP Motors



Regal and Century are trademarks of Regal Beloit Corporation or one of its affiliated companies.
©2019 Regal Beloit Corporation, All Rights Reserved. MC017097E





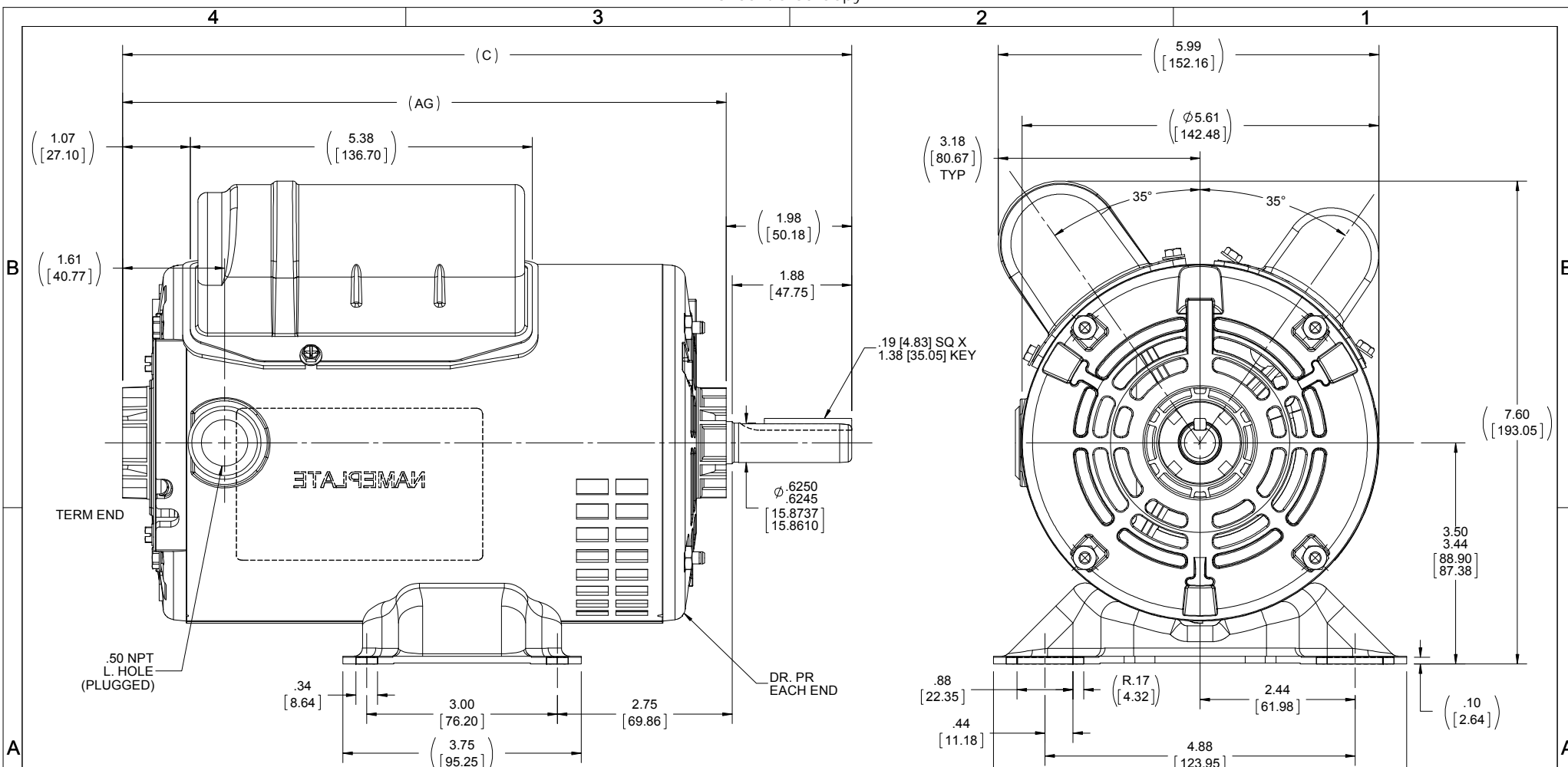
Nameplate Specifications

Output HP	1/3 Hp	Output KW	0.25 kW
Frequency	60 Hz	Voltage	115/230 V
Current	3.8/1.9 A	Speed	1725 rpm
Service Factor	1.35	Phase	1
Duty	Continuous	Insulation Class	B
Frame	56	Enclosure	Drip Proof
Thermal Protection	None	Ambient Temperature	40 °C
UL	Recognized	CSA	Y
CE	Y		

Technical Specifications

Electrical Type	Shaded Pole	Starting Method	Across The Line
Poles	4	Rotation	Reversible Counterclockwise
Mounting	Rigid Base	Drive End Bearing	Ball
Opp Drive End Bearing	Ball	Frame Material	Rolled Steel
Shaft Type	Keyed	Overall Length	10.97 in
Frame Length	7.13 in	Shaft Diameter	0.625 in
Shaft Extension	1.97 in		

This is an uncontrolled document once printed or downloaded and is subject to change without notice. Date Created:30/10/2019



DASH	C	AG
625	10.22 [259.59]	8.25 [209.55]
650	10.47 [265.94]	8.50 [215.90]
675	10.72 [272.29]	8.75 [222.25]
725	11.22 [284.98]	9.25 [234.95]
750	11.47 [291.34]	9.50 [241.30]
775	11.72 [297.69]	9.75 [247.65]
800	11.97 [304.04]	10.00 [254.00]

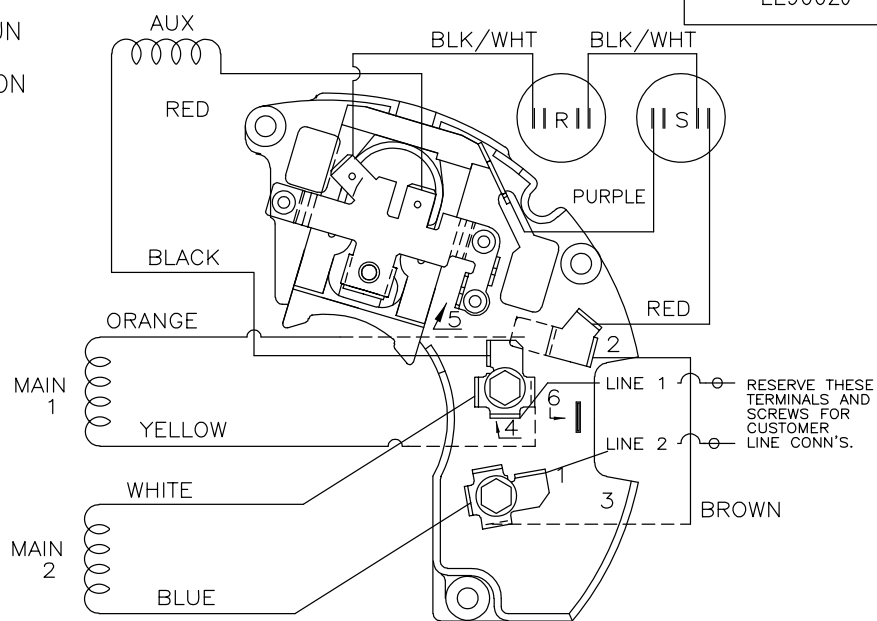
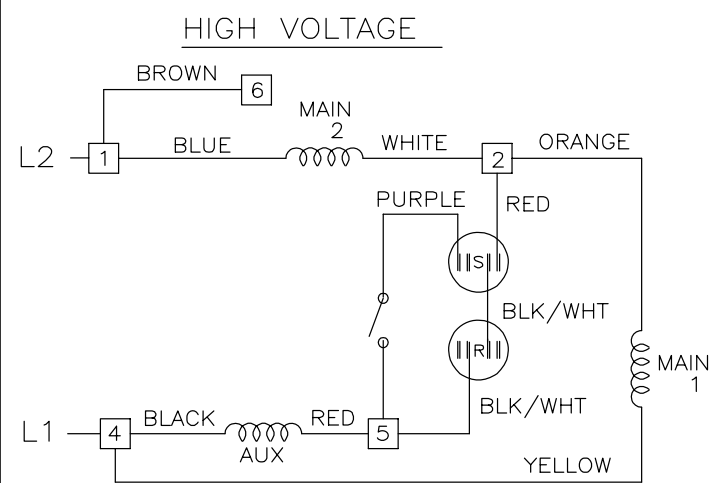
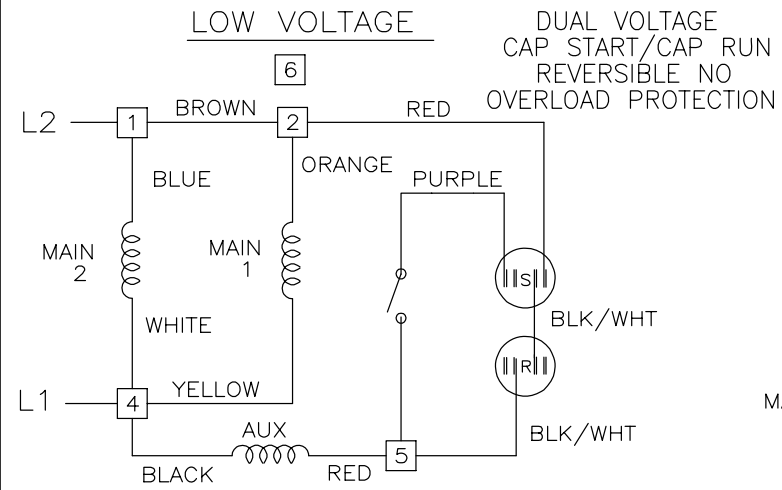
DRAWING REVISION D	REVISION BY S.MUDDA	REV DATE/© DATE 12/11/2018
ECO ECO-0165533	APPROVED BY D.SURYAWANSHI	DATE 04/15/2019
ECO DESCRIPTION OUTLINE CONVERSION PROJECT		
<small>COPYRIGHT (PER REVISION DATE) REGAL BELOIT AMERICA, INC. ALL RIGHTS RESERVED. PROPRIETARY AND CONFIDENTIAL INFORMATION - THIS DOCUMENT IS THE PROPERTY OF REGAL BELOIT AMERICA, INC. (OWNER) AND CONTAINS OWNERS PROPRIETARY INFORMATION. ANY PERSON, CORPORATION OR OTHER FIRM RECEIVING IT IS DEEMED, BY RECEIVING IT, TO AGREE THAT IT, AND/OR ANY PART OF IT, SHALL NOT BE DISCLOSED TO ANY PERSON, CORPORATION OR OTHER ENTITY, DUPLICATED, AND/OR USED, EXCEPT AS EXPRESSLY APPROVED IN WRITING IN ADVANCE BY OWNER. THIS DOCUMENT SHALL BE RETURNED TO OWNER UPON REQUEST. IT MAY BE SUBJECT TO CERTAIN RESTRICTIONS UNDER APPLICABLE EXPORT CONTROL LAWS AND REGULATIONS.</small>		

TOLERANCES (EXCEPT AS NOTED):			
DEC.	INCH	mm	ANGLE
-X	+0.1	[±3]	±7° 30'
.XX	+0.03	[±0.8]	
.XXX	+0.005	[±0.13]	
.XXXX	+0.0005	[±0.013]	
REMOVE BURRS & BREAK SHARP EDGES: .003/.015 [0.08/0.38] X 45°			
CORNER FILLETS: R.02 [5]			
MACHINED SURFACES: 200 $\sqrt{\text{mm}}$ INCH $\sqrt{\text{mm}}$ 5.1			
mm DIMENSIONS IN [BRACKETS] ARE FOR REFERENCE ONLY			

DRAWN BY JAH	DATE 11/21/2014
APPROVED BY	DATE
REFERENCE SS404113/SS75609	THIRD ANGLE PROJECTION

Regal Beloit America, Inc.	
DESCRIPTION OUTLINE 56 FRAME	
MATERIAL	PROCESS/FINISH
SIZE B	DRAWING NUMBER SS404114
SHEET 1 OF 1	

EE9002J



VIEWING TERM END

LOW VOLTAGE CCW ROTATION SHOWN.

FOR HIGH VOLTAGE
CONNECT BROWN TERM 2 TO TERM 6.
CONNECT WHITE TERM 4 TO TERM 2.

TO REVERSE ROTATION EITHER
VOLTAGE INTERCHANGE RED
LEAD WITH BLACK LEAD.

DASH LINES INDICATE LEADS CONNECTED
TO MOTOR SIDE OF SWITCH.

		TOLERANCES UNLESS SPECIFIED			DRAWN SVL 6/17/2013
		DEC.	INCHES		CHK
		.X	± -	APPD	SCALE NTS
		.XX	± -	TITLE CONNECTION DIAGRAM	REF EE9002J
		.XXX	± -	48 FR. - DUAL VOLTAGE REVERSIBLE	FMF PR132489
2	TEMPLATE LOGO CHNAGED FROM MARATHON TO DAYTON	KR 05/16/2014	VS .XXXX ± -	MAT'L.	PREV
NO.	REVISION	BY & DATE	CHK ANG ± -	FINISH	
THIS DRAWING IN DESIGN AND DETAIL IS OUR PROPERTY AND MUST NOT BE USED EXCEPT IN CONNECTION WITH OUR WORK ALL RIGHTS OF DESIGN AND INVENTION ARE RESERVED THIS IS AN ELECTRONICALLY GENERATED DOCUMENT - DO NOT SCALE THIS PRINT				RFP	CAD FILE ee9002j
				DIST	SIZE A
				DRAWING NO. EE9002J	PAGE 1 OF 2
					REV. 02