

PRODUCT INFORMATION PACKET



Model No: C426V2
Catalog No: C426V2
.75 HP Fan and Blower HVAC/R Motor, 1 phase, 1800 RPM, 115/208-230 V, 56 Frame, ODP
Self Cooled Motors



Regal and Century are trademarks of Regal Beloit Corporation or one of its affiliated companies.
©2019 Regal Beloit Corporation, All Rights Reserved. MC017097E

The REGAL logo consists of the word "REGAL" in a bold, white, sans-serif font, set against a dark gray, trapezoidal background with a slight shadow effect.

REGAL



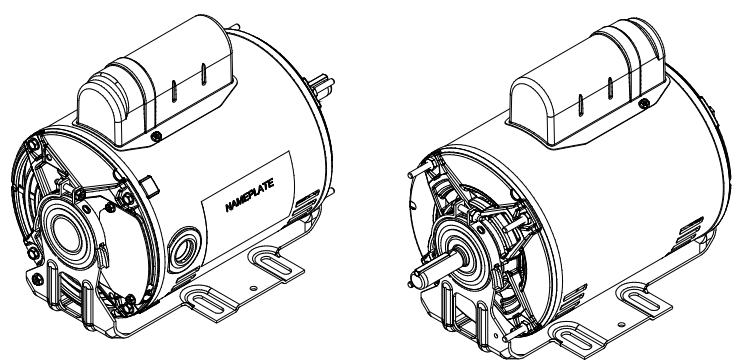
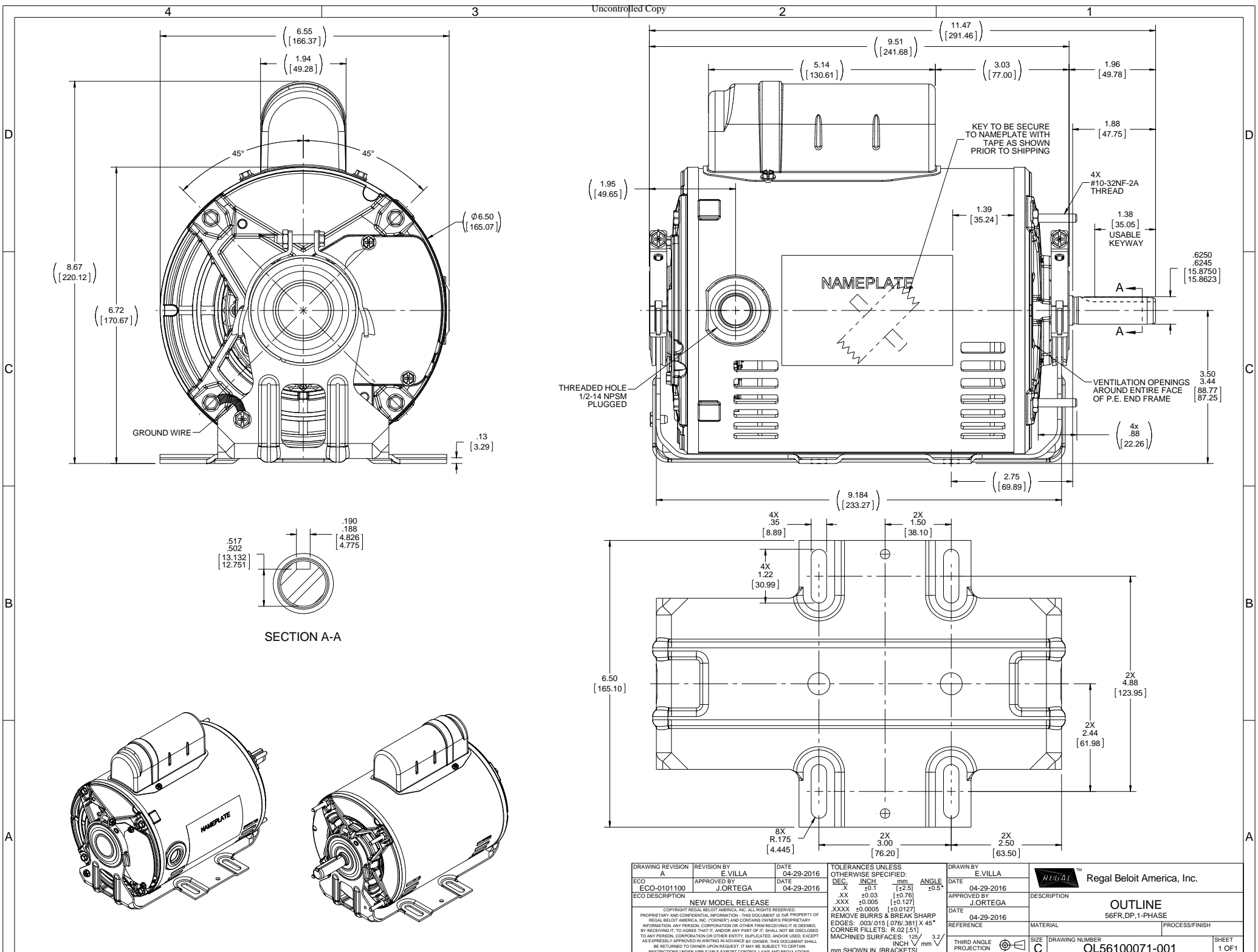
Nameplate Specifications

Output HP	.75 Hp	Output KW	0.56 kW
Frequency	60 Hz	Voltage	115/208-230 V
Current	10.4/5.2-5.2 A	Speed	1725 rpm
Service Factor	1.25	Phase	1
Duty	Continuous	Insulation Class	B
Frame	56	Enclosure	Drip Proof
Thermal Protection	Thermally Protected	Ambient Temperature	40 °C
UL	Recognized	CSA	Y
CE	Y		

Technical Specifications

Electrical Type	Capacitor Start Induction Run	Starting Method	Across The Line
Poles	4	Rotation	Selective Counterclockwise
Mounting	Resilient Base	Drive End Bearing	Ball
Opp Drive End Bearing	Ball	Frame Material	Rolled Steel
Shaft Type	NEMA 56	Overall Length	11.47 in
Frame Length	7.15 in	Shaft Diameter	0.625 in
Shaft Extension	1.96 in		

This is an uncontrolled document once printed or downloaded and is subject to change without notice. Date Created:30/10/2019



DRAWING REVISION A	REVISION BY E VILLA	DATE 04-29-2016	TOLERANCES UNLESS OTHERWISE SPECIFIED: DEC. INCH mm ANGLE .XX ±0.1 [±2.5] ±0.5° .XXX ±0.03 [±0.76] .XXX ±0.005 [±0.127] .XXXX ±0.0005 [±0.0127] REMOVE BURRS & BREAK SHARP EDGES: .0031 (0.076) 381] X 45° CORNER FILLETS: R.02 [51] MACHINED SURFACES: .125 3/2 INCH V mm ✓ mm SHOWN IN [BRACKETS]	DRAWN BY E VILLA	Regal Beloit America, Inc.
ECO-0101100	APPROVED BY J.ORTEGA	DATE 04-29-2016	DATE 04-29-2016	DESCRIPTION OUTLINE 56FR, DP, 1-PHASE	
NEW MODEL RELEASE			REFERENCE	MATERIAL	PROCESS/FINISH
<small>COPYRIGHT REGAL BELOIT AMERICA, INC. ALL RIGHTS RESERVED. PROPRIETARY AND CONFIDENTIAL INFORMATION. THIS DOCUMENT IS THE PROPERTY OF REGAL BELOIT AMERICA, INC. (OWNER) AND CONTAINS OWNER'S PROPRIETARY INFORMATION. ANY PERSON, CORPORATION OR OTHER FIRM RECEIVING IT IS DEEMED BY RECEIVING IT, TO AGREE THAT IT, AND/OR ANY PART OF IT, SHALL NOT BE DISCLOSED TO ANY PERSON, CORPORATION OR OTHER ENTITY, DUPLICATED, AND/OR USED, EXCEPT AS EXPRESSLY APPROVED IN WRITING IN ADVANCE BY OWNER. THIS DOCUMENT SHALL BE RETURNED TO OWNER UPON REQUEST. IT MAY BE SUBJECT TO CERTAIN RESTRICTIONS UNDER APPLICABLE EXPORT CONTROL LAWS AND REGULATIONS.</small>			THIRD ANGLE PROJECTION	SIZE C	DRAWING NUMBER OL56100071-001
					SHEET 1 OF 1

CENTURY

TYPICAL PERFORMANCE CURVE for AC MOTOR

Customer WW Grainger

Curve at

230

Volts

HP 0.75

PHASE 1

Model No C426V2

60

HZ

VOLTS 115/208-230

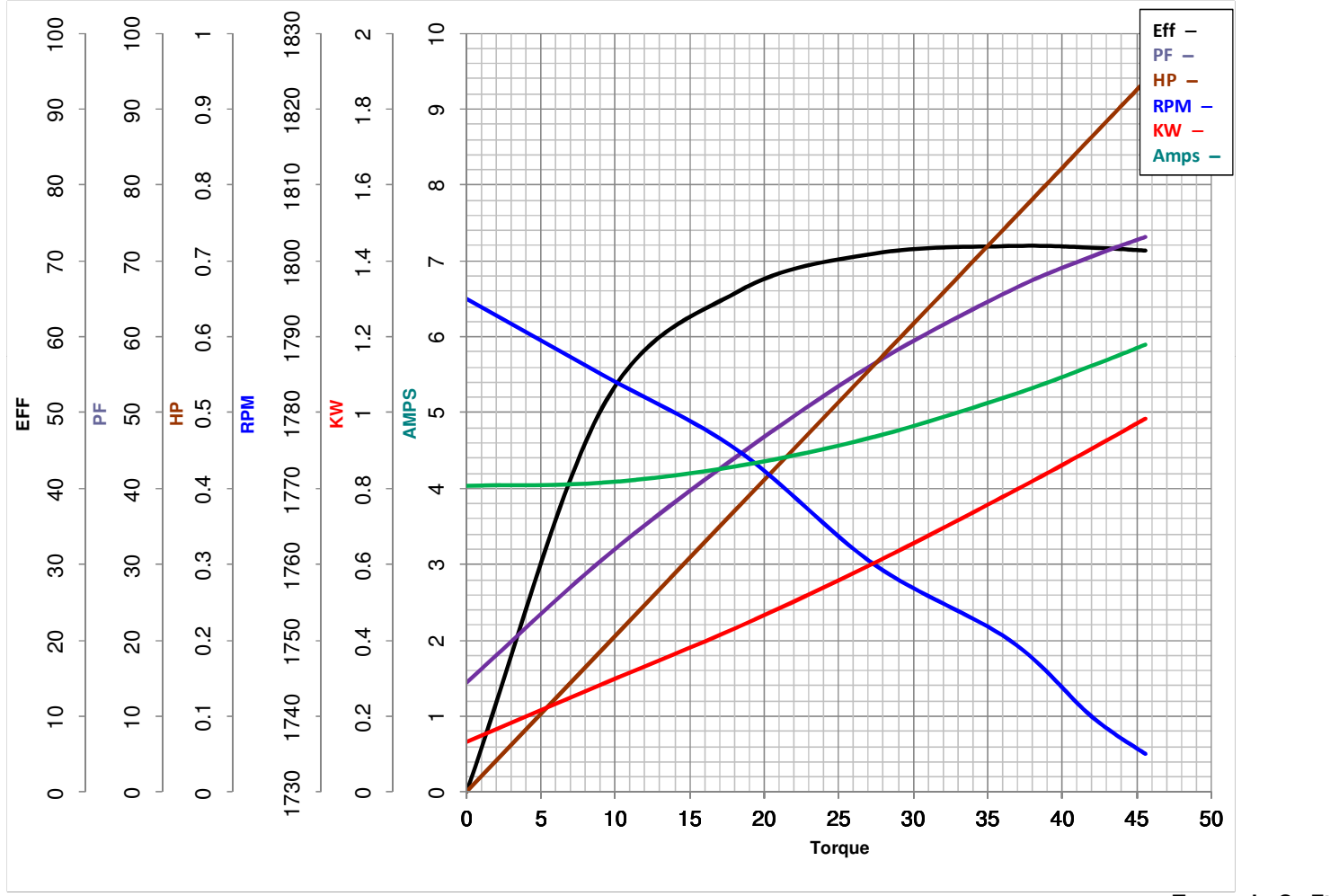
0.75

HP

Catalog No C426V2

HZ 60

RPM 1725



FL TORQUE	<u>36.5</u>	Oz.Ft	FL AMPS	<u>10.4/5.2-5.2</u>
BD TORQUE	<u>91.0</u>	Oz.Ft	PU TORQUE	<u>99.4</u>
LR TORQUE	<u>103.5</u>	Oz.Ft	LR AMPS	<u>30.85</u>
WINDING	NC56413-3	Prepared By	BHARGAVI	Date 8/27/2018