

PRODUCT INFORMATION PACKET



Model No: C412V2
Catalog No: C412V2
0.5 HP Fan and Blower HVAC/R Motor, 1 phase, 1800 RPM, 115/208-230 V, 56 Frame, ODP
Self Cooled Motors



Regal and Century are trademarks of Regal Beloit Corporation or one of its affiliated companies.
©2019 Regal Beloit Corporation, All Rights Reserved. MC017097E

REGAL



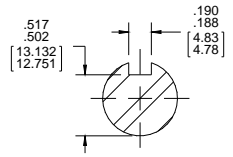
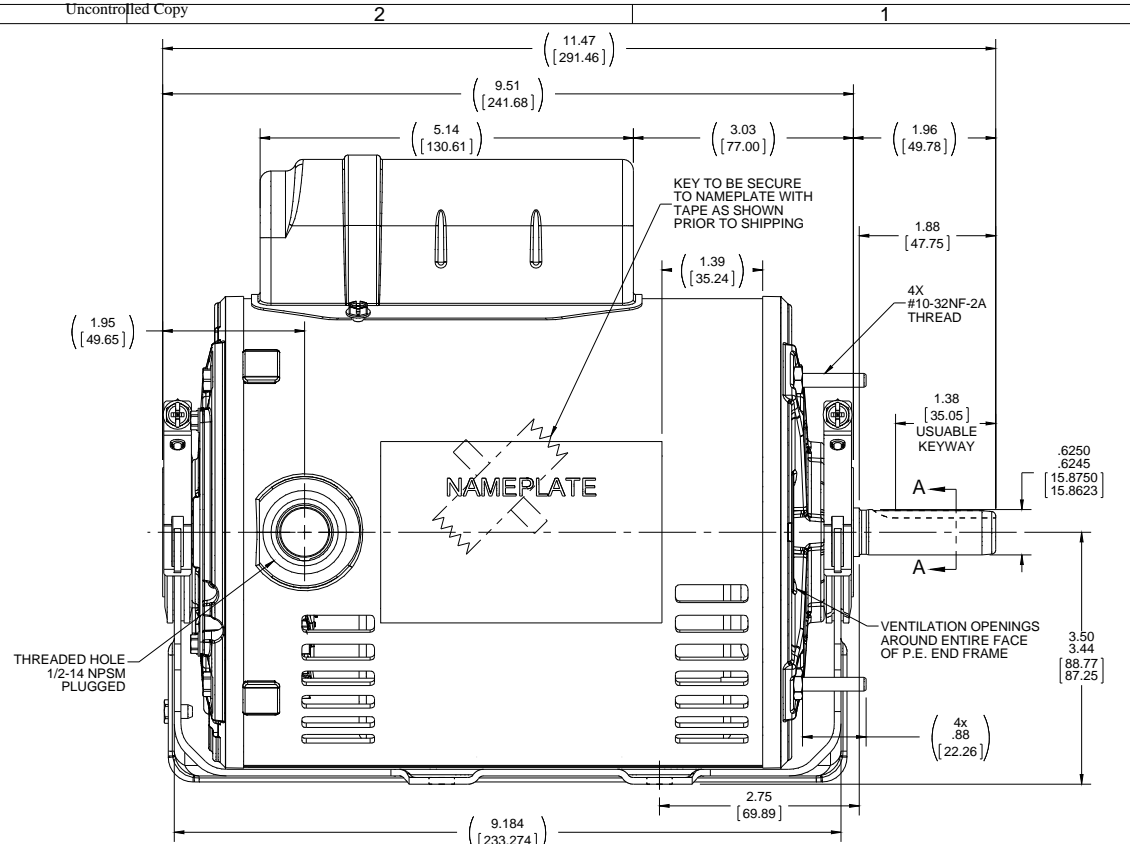
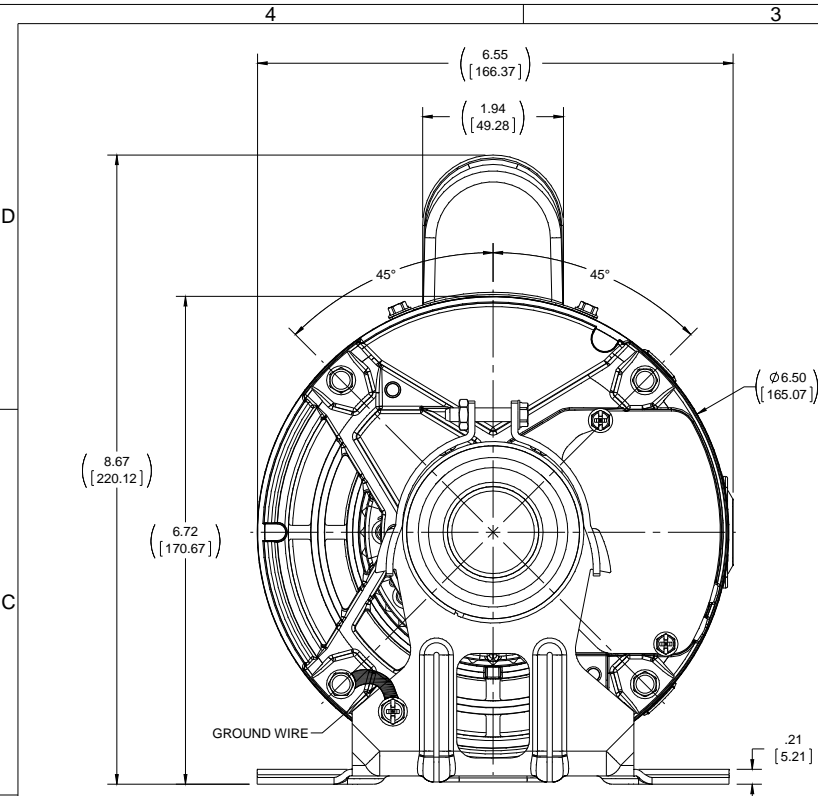
Nameplate Specifications

Output HP	0.5 Hp	Output KW	0.37 kW
Frequency	60 Hz	Voltage	115/208-230 V
Current	8.2/4.0-4.1 A	Speed	1725 rpm
Service Factor	1.25	Phase	1
Duty	Continuous	Insulation Class	B
Frame	56	Enclosure	Drip Proof
Thermal Protection	Thermally Protected	Ambient Temperature	40 °C
UL	Recognized	CSA	Y
CE	Y		

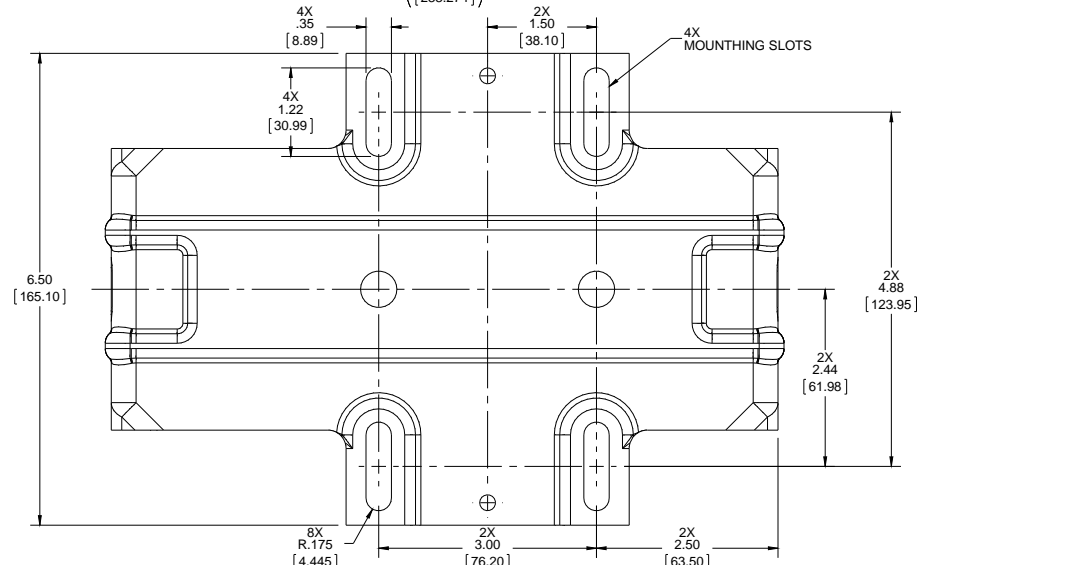
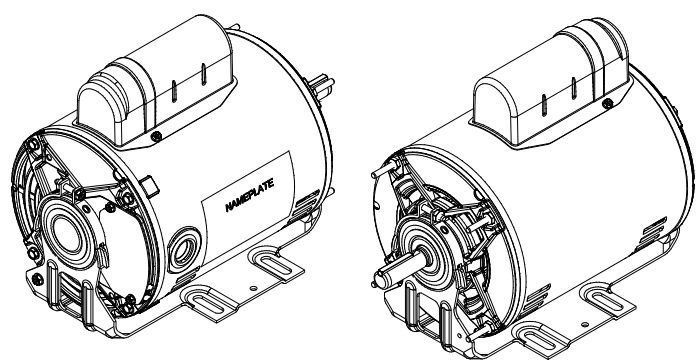
Technical Specifications

Electrical Type	Capacitor Start Induction Run	Starting Method	Across The Line
Poles	4	Rotation	Selective Counterclockwise
Mounting	Resilient Base	Drive End Bearing	Ball
Opp Drive End Bearing	Ball	Frame Material	Rolled Steel
Shaft Type	NEMA 56	Overall Length	11.47 in
Frame Length	7.15 in	Shaft Diameter	0.625 in
Shaft Extension	1.96 in		

This is an uncontrolled document once printed or downloaded and is subject to change without notice. Date Created:30/10/2019



SECTION A-A



DRAWING REVISION A	REVISION BY D.VALENCIANO	DATE 05-03-2016	TOLERANCES UNLESS OTHERWISE SPECIFIED: DEC. INCH mm ANGLE .X ±0.1 [2.5] ±0.5° .XX ±0.03 [0.76] .XXX ±0.005 [0.127] .XXXX ±0.0005 [0.0127] REMOVE BURRS & BREAK SHARP EDGES - .003 [0.15] X 45° CORNER FILLETS: R.02 [51] MACHINED SURFACES: .125 / 3/2 INCH V mm ✓ mm SHOWN IN [BRACKETS]	DRAWN BY D.VALENCIANO	Regal Beloit America, Inc. DESCRIPTION OUTLINE 56FR,DP,1-PHASE
ECO ECO-0101402	APPROVED BY J.ORTEGA	DATE 05-03-2016	APPROVED BY J.ORTEGA	DATE 05-03-2016	
NEW MODEL RELEASE			REFERENCE C421V1	MATERIAL	PROCESS/FINISH
<small>COPYRIGHT REGAL BELOIT AMERICA, INC. ALL RIGHTS RESERVED. PROPRIETARY AND CONFIDENTIAL INFORMATION. THIS DOCUMENT IS THE PROPERTY OF REGAL BELOIT AMERICA, INC. (OWNER) AND CONTAINS OWNER'S PROPRIETARY INFORMATION. ANY PERSON, CORPORATION OR OTHER FIRM RECEIVING IT IS DENIED, BY RECEIVING IT, TO AGREE THAT IT, AND/OR ANY PART OF IT, SHALL NOT BE DISCLOSED TO ANY PERSON, CORPORATION OR OTHER ENTITY, DUPLICATED, AND/OR USED, EXCEPT AS EXPRESSLY APPROVED IN WRITING IN ADVANCE BY OWNER. THIS DOCUMENT SHALL BE RETURNED TO OWNER UPON REQUEST. IT MAY BE SUBJECT TO CERTAIN RESTRICTIONS UNDER APPLICABLE EXPORT CONTROL LAWS AND REGULATIONS.</small>			THIRD ANGLE PROJECTION	SIZE C	DRAWING NUMBER OL56100076-001
					SHEET 1 OF 1

CERTIFICATION DATA SHEET

**CUSTOMER
PO #:**

CUSTOMER:
ORDER #:

**CUSTOMER PART
#:**

CONN. DIAGRAM: CDCD101
OUTLINE: OL56100076-001
WINDING #: NC56415 3A

MOUNTING: F1 ONLY

TYPICAL MOTOR PERFORMANCE DATA

HP	KW	SYNC. RPM	F.L. RPM	FRAME	ENCLOSURE	KVA CODE	DESIGN
1/2	0.37	1800	1725	56	DP	L	NO DESIGN CODE

PH	Hz	VOLTS	AMPS	START TYPE	DUTY	INSL	S.F.	AMB°C
1	60	115/208-230	8.2/4.0-4.1	ACROSS THE LINE	CONTINUOUS	B3	1.25	40

FULL LOAD EFF:	62	3/4 LOAD EFF:	60	1/2 LOAD EFF:	53.5	GTD. EFF	57.5	ELEC. TYPE
FULL LOAD PF:	64	3/4 LOAD PF:	55	1/2 LOAD PF:	44.5	CAP START IND RUN		

F.L. TORQUE	LOCKED ROTOR AMPS	L.R. TORQUE	B.D. TORQUE	F.L. RISE°C
24.1 02-FT	41.1 / 20.6	81 02-FT 336 %	60.98 02-FT 253 %	0

SOUND PRESSURE @ 3 FT.	SOUND POWER	ROTOR WK^2	MAX. WK^2	SAFE STALL TIME	STARTS / HOUR	APPROX. MOTOR WGT
0 DBA	10 DBA	0 LB-FT^2	0 LB-FT^2	0 SEC.	0	0 LBS.

***** SUPPLEMENTAL INFORMATION *****

DE BRACKET TYPE	ODE BRACKET TYPE	MOUNT TYPE	ORIENTATION	SEVERE DUTY	HAZARDOUS LOCATION	DRIP COVER	SCREENS	PAINT
STANDARD	STANDARD	RESILIENT BASE	HORIZONTAL	FALSE	NONE	FALSE	NONE	BLACK (POWDER)

BEARINGS	GREASE	SHAFT TYPE	SPECIAL DE	SPECIAL ODE	SHAFT MATERIAL	FRAME MATERIAL
DE ODE BALL BALL 6203 6203	POLYREX EM	STANDARD 56	NONE	NONE	AISI 1215 (MS1000)	ROLLED STEEL

THERMO-PROTECTORS				THERMISTORS		CONTROL		SPACE HEATERS	
THERMOSTATS	PROTECTORS	WDG RTDS	BRG RTDS	NONE	FALSE	NONE	NONE	NONE	VOLTS
NONE	AUTOMATIC	NONE	NONE						

INVERTER TORQUE: NONE
INV. HP SPEED RANGE: NONE

ENCODER:	NONE
NONE	NONE
NONE	PPR
BRAKE:	NONE
NONE	P/N NONE
NONE	NONE
NONE	FT-LB NONE V NONE HZ

S

PREPARED BY: Bhargavi Dontham

DATE: 08/27/2018 03:40:35 AM

FORM 3531 REV.3 02/07/99

** Subject to change without notice.

CENTURY

TYPICAL PERFORMANCE CURVE for AC MOTOR

Customer WW Grainger

Curve at

230

Volts

HP 0.5

PHASE 1

Model No C412V2

60

HZ

VOLTS 115/208-230

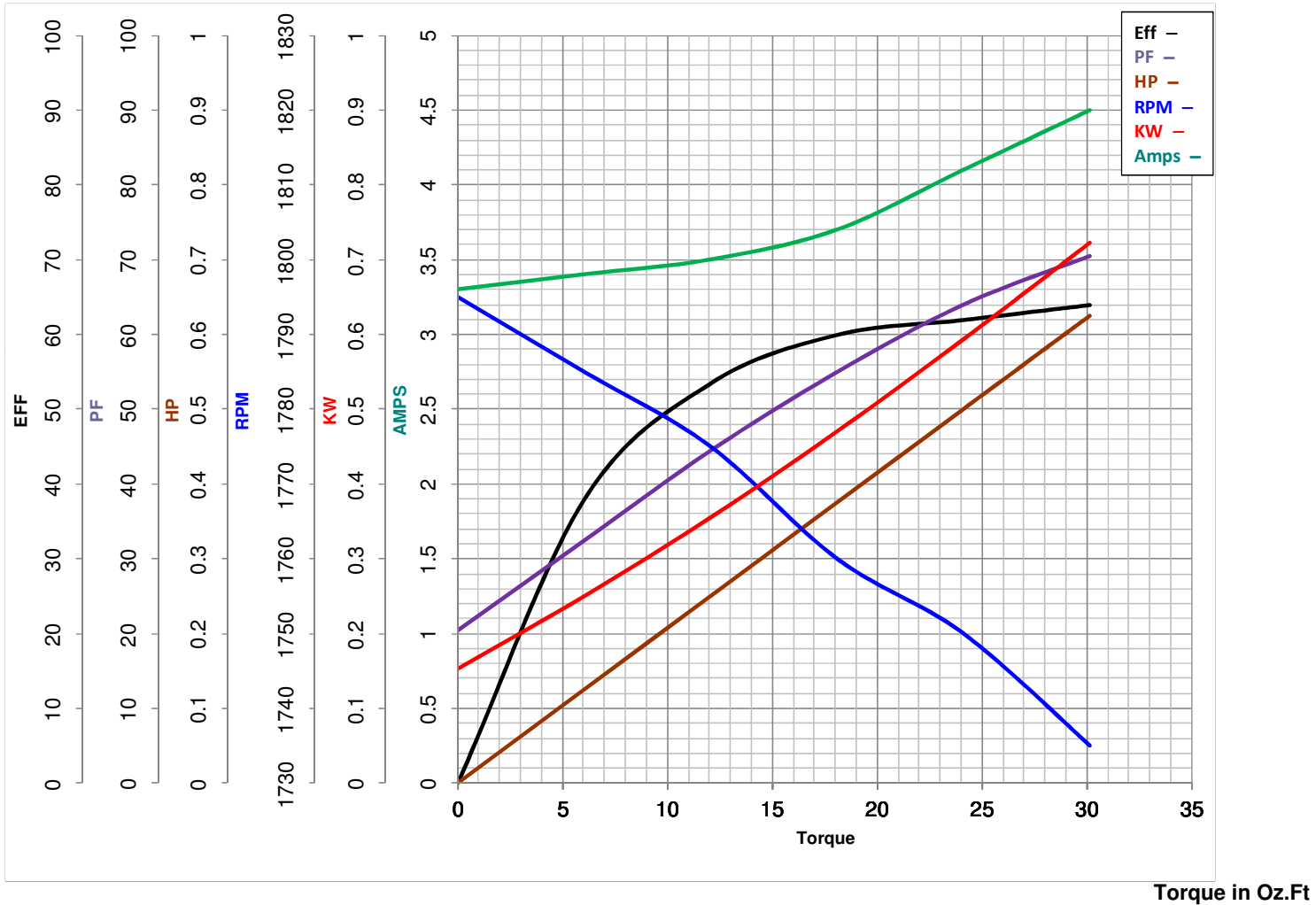
0.5

HP

Catalog No C412V2

HZ 60

RPM 1725



FL TORQUE	<u>24.1</u>	Oz.Ft	FL AMPS	<u>8.2/4.0-4.1</u>
BD TORQUE	<u>61.0</u>	Oz.Ft	PU TORQUE	<u>80.5</u> Oz.Ft
LR TORQUE	<u>81</u>	Oz.Ft	LR AMPS	<u>20.57</u>
WINDING	NC56415-3	Prepared By	BHARGAVI	Date 8/27/2018