

# PRODUCT INFORMATION PACKET



Model No: C403V2

Catalog No: C403V2

0.33 HP Fan and Blower HVAC/R Motor, 1 phase, 1800 RPM, 115/208-230 V, 56 Frame, ODP  
Self Cooled Motors



Regal and Century are trademarks of Regal Beloit Corporation or one of its affiliated companies.

©2019 Regal Beloit Corporation, All Rights Reserved. MC017097E

REGAL



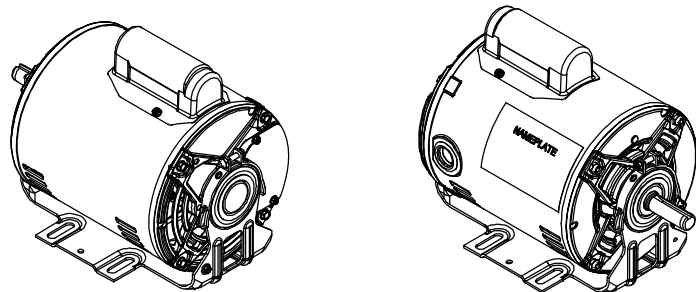
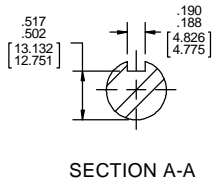
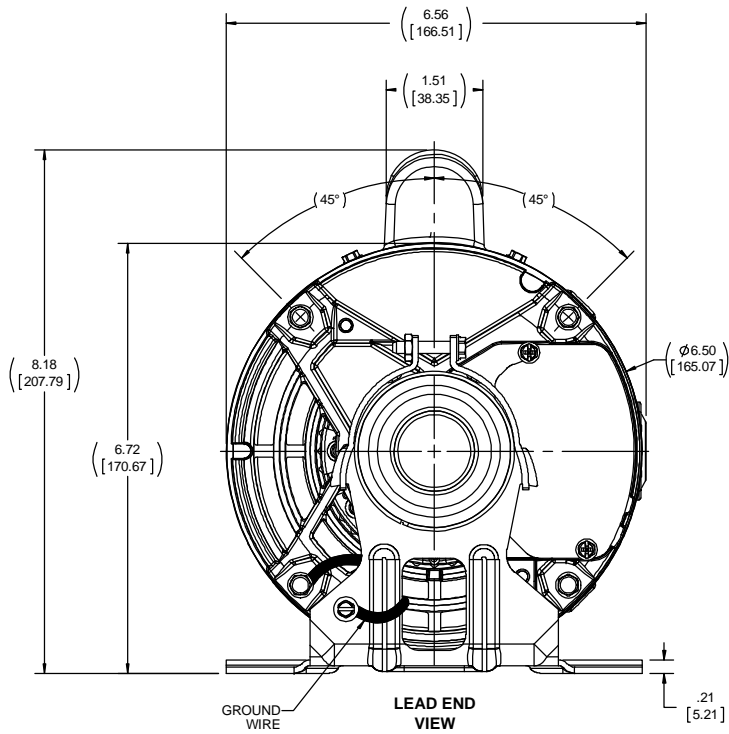
**Nameplate Specifications**

Output HP	<b>0.33 Hp</b>	Output KW	<b>0.25 kW</b>
Frequency	<b>60 Hz</b>	Voltage	<b>115/208-230 V</b>
Current	<b>6.6/3.2-3.3 A</b>	Speed	<b>1725 rpm</b>
Service Factor	<b>1.35</b>	Phase	<b>1</b>
Duty	<b>Continuous</b>	Insulation Class	<b>B</b>
Frame	<b>56</b>	Enclosure	<b>Drip Proof</b>
Thermal Protection	<b>Thermally Protected</b>	Ambient Temperature	<b>40 °C</b>
UL	<b>Recognized</b>	CSA	<b>Y</b>
CE	<b>Y</b>		

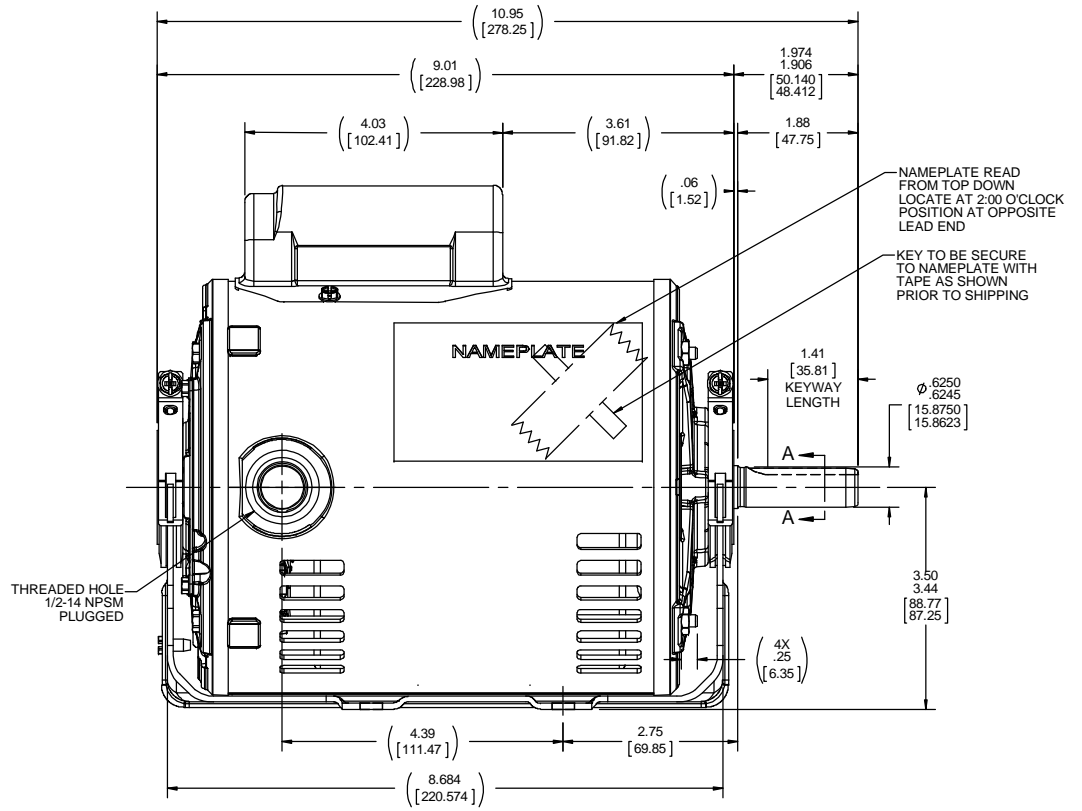
**Technical Specifications**

Electrical Type	<b>Capacitor Start Induction Run</b>	Starting Method	<b>Across The Line</b>
Poles	<b>4</b>	Rotation	<b>Selective Counterclockwise</b>
Mounting	<b>Resilient Base</b>	Drive End Bearing	<b>Ball</b>
Opp Drive End Bearing	<b>Ball</b>	Frame Material	<b>Rolled Steel</b>
Shaft Type	<b>Keyed</b>	Overall Length	<b>10.95 in</b>
Frame Length	<b>6.75 in</b>	Shaft Diameter	<b>0.625 in</b>
Shaft Extension	<b>1.97 in</b>		

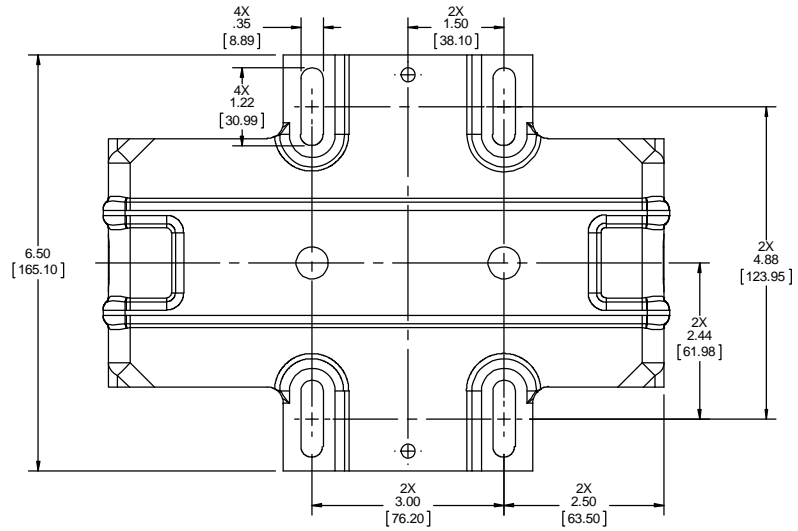
This is an uncontrolled document once printed or downloaded and is subject to change without notice. Date Created:30/10/2019



THREADED HOLE  
1/2-14 NPSM  
PLUGGED



NAMEPLATE READ FROM TOP DOWN LOCATE AT 2:00 O'CLOCK POSITION AT OPPOSITE LEAD END  
KEY TO BE SECURE TO NAMEPLATE WITH TAPE AS SHOWN PRIOR TO SHIPPING



DRAWING REVISION A	REVISION BY MARGUELLES	DATE 01-10-2018	TOLERANCES UNLESS OTHERWISE SPECIFIED: DEC. INCH mm ANGLE	DRAWN BY MARGUELLES	Regal Beloit America, Inc.
ECO-0137049	APPROVED BY	DATE	.X ±0.1 [2.5] 30.5° .XX ±0.03 [0.76] .XXX ±0.005 [0.127] .XXXX ±0.0005 [0.0127]	DATE 01-10-2018	
ECO DESCRIPTION	NEW MODEL RELEASE		REMOVE BURRS & BREAK SHARP EDGES: .003 [0.076] X 45° CORNER FILLETS: R.02 [.51]	APPROVED BY	DESCRIPTION OUTLINE
<small>COPYRIGHT REGAL BELOIT AMERICA, INC. ALL RIGHTS RESERVED. PROPRIETARY AND CONFIDENTIAL INFORMATION. THIS DOCUMENT IS THE PROPERTY OF REGAL BELOIT AMERICA, INC. FORWARDING AND CONTAINING OWNERS PROPRIETARY INFORMATION, ANY PERSON, CORPORATION OR OTHER FIRM RECEIVING IT IS DEEMED BY RECEIVING IT, TO AGREE THAT IT, AND ANY PART OF IT, SHALL NOT BE DISCLOSED TO ANY PERSON, CORPORATION OR OTHER ENTITY, DUPLICATED, AND/OR USED, EXCEPT AS EXPRESSLY APPROVED IN WRITING IN ADVANCE BY OWNER. THIS DOCUMENT SHALL BE RETURNED TO OWNER UPON REQUEST. IT MAY BE SUBJECT TO CERTAIN RESTRICTIONS UNDER APPLICABLE EXPORT CONTROL LAWS AND REGULATIONS.</small>			MACHINED SURFACES: .125 / 3.2 INCH / mmv	DATE	MATERIAL 56FR,DP,1-PHASE,RESILIENT
			THIRD ANGLE PROJECTION	REFERENCE	PROCESS/FINISH
			SIZE C	DRAWING NUMBER OL56100458-001	SHEET 1 OF 1